

原廠使用說明翻譯

危險

Attention: 注意：使用前，請閱讀原始製造商的說明。這些可以從www.halder.com/downloadcenter (1).下載。

定位扣件被設計用在吊起或握住負載 (不能使用在人!!)
不適用在永久旋轉的負載
污穢 (例如: 砂石, 油污沉澱, 灰塵) 會影響定位扣件的功能

使用受損的定位扣件會有危險, 使用前請小心檢查 (例如: 變形, 破裂, 撕裂, 鋼珠遺失, 無法固定)

受損定位扣件必須立即停用

操作

壓下按鈕(A), 鋼珠鬆開. 放開按鈕(A), 鋼珠鎖緊
注意: 按鈕(A)鎖緊是利用彈簧的回復力, 不要長時間按著不放

$F_1 / F_2 / F_3$ (圖2) 只適用於吊起或舉起, 墊圈厚度 (X) min = 1.5 mm

維護

定位扣件每年至少 1 次要由合格人員作定期檢查

肉眼檢查

磨損, 破裂, 撕裂, 鋼珠受損, 鉤環螺絲受損

特性檢查

檢查鋼珠是否能彈回, 以及鉤環能否擺動



(1) Original operating instructions

Short Instruction Manual

!DANGER!

Attention: Read the original operating instructions before use. These can be downloaded from www.halder.com/downloadcenter (1).

Self-locking lifting pins are designed to lift and hold point loads (**not people!!**)
Self-locking lifting pins are **not suited for the permanent rotation of the load.**
Soilings (e.g. grits and grinds, oil and emulsion deposits, dust ...) can affect the functioning of the self-locking pins.

Using damaged self-locking lifting pins can be perilous. **Before any use** carefully inspect the self-locking lifting pins (i.e. deformities, breaks, rips, damages, missing balls, corrosion, unlocking function).

Damaged self-locking pins must be withdrawn from service immediately.

Handling and Stress

To release the balls, press button (A). To lock the balls, release button (A).

Attention: The button (A) is locked after springing back to the initial position by means of the spring resistance.
Do **not** operate the button at charge.

The stress figures $F_1 / F_2 / F_3$ (see page 2) apply only to lifting applications with a steel retainer an x min. = 1,5 mm.

Maintenance:

Self-locking lifting pins must be taken out of service for proper inspection by a qualified person(s) at least once a year.

Visual inspection:

Grits and grinds, breaks, rips, missing and damaged balls, corrosion, screw union damages at shackle.

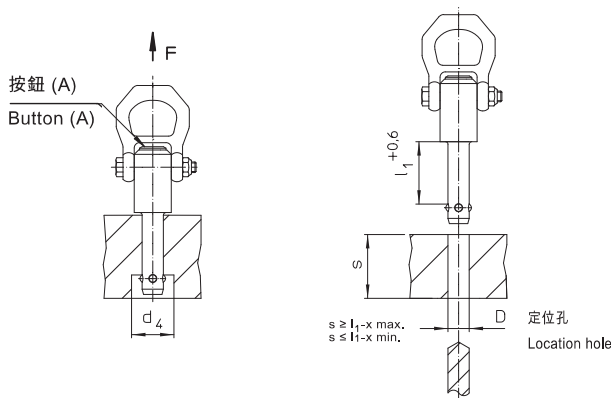
Performance check:

Locking device of the balls has to lock by resilience, entire moveability of shackle.

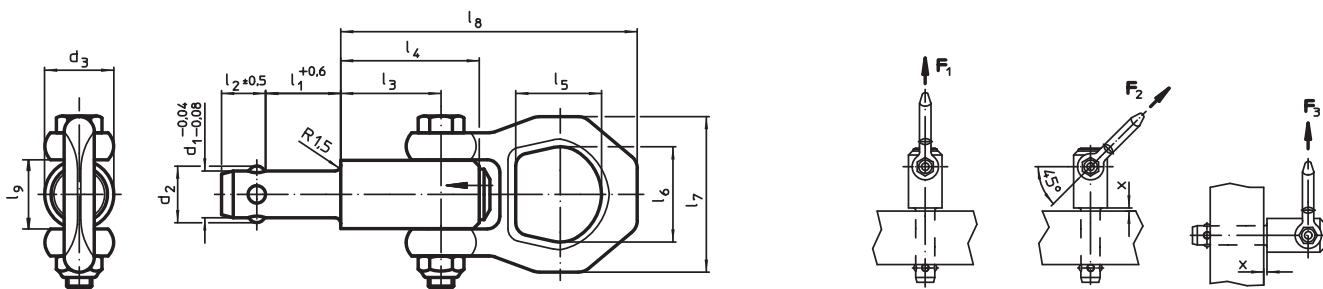


(1) Original operating instructions

FR: La traduction dans votre langue de cet manuel d'instruction succinct et de la déclaration de conformité est disponible sur www.halder.com
IT: La traduzione di questo breve manuale di istruzioni nella vostra lingua con la Dichiarazione di conformità è disponibile nel sito www.halder.com.
ES: La traducción de este breve manual de instrucciones en su idioma con la Declaración de conformidad está disponible en www.halder.com.
CZ: Překlad tohoto krátkého návodu ve vašem jazyce s prohlášením o shodě je k dispozici na www.halder.com.
RO: Acest scurt instructaj de utilizare, tradus în limba dumneavoastră, împreună cu Declarația de conformitate sunt disponibile pentru descărcare pe www.halder.com.
PL: Tłumaczenie tej krótkiej instrukcji obsługi na Twój język wraz z deklaracją zgodności jest dostępne na stronie www.halder.com.
FI: Tämän lyhyen käyttöohjeen käänös omalla kielelläsi ja vaatimustenmukaisuusvakuutus ovat saatavilla osoitteessa www.halder.com.
SE: En översättning av denna korta instruktionsmanual med försäkran om överensstämmelse finns på ditt språk att hämta på www.halder.com.
NL: De vertaling van deze korte handleiding in uw eigen taal met conformiteitsverklaring is beschikbaar op www.halder.com.
KR: 적합선 선언과 함께 귀하의 언어로 번역이 된 짧은 설명서는 www.halder.com에서 확인 가능합니다.
CN: 可在 www.halder.com 上获得带有符合性声明的此简短说明手册的翻译版本。
TW: 可在 www.halder.com 上獲得帶有符合性聲明的此簡短說明手冊的翻譯版本。
JP: CE準拠の宣言書は、取扱説明書に付属していますが、以下URLでダウンロードできますwww.halder.com.



尺寸 / Dimensions													負載能力 根據 DIN EN 13155 / Load capacity according to DIN EN 13155			x		定位孔 / Location hole	🔥	品號 / Art. No.	
d_1 -0,04 +0,08	l_1 +0,6	d_2	d_3	d_4 min.	l_2 $\pm 0,5$	l_3	l_4	l_5	l_6	l_7	l_8	F_1	F_2	F_3	min.	max.	D H11	max.	熱處理鋼 / Heat-treated steel	不銹鋼 / Stainless steel	
[mm]													[kN]			[mm]		[mm]	[°C]		
8,0	10	9,35	21,5	9,85	8,75	25,7	36,0	27,0	30	49	87,5	1,5	1,2	0,5	1,5	5	8,0	250	22350.0601	22350.0701	
8,0	15	9,35	21,5	9,85	8,75	25,7	36,0	27,0	30	49	87,5	1,5	1,2	0,5	1,5	10	8,0	250	22350.0602	22350.0702	
8,0	25	9,35	21,5	9,85	8,75	25,7	36,0	27,0	30	49	87,5	1,5	1,2	0,5	1,5	15	8,0	250	22350.0604	22350.0704	
8,0	35	9,35	21,5	9,85	8,75	25,7	36,0	27,0	30	49	87,5	1,5	1,2	0,5	1,5	15	8,0	250	22350.0606	22350.0706	
8,3	10	9,65	21,5	10,05	8,75	25,7	36,0	27,0	30	49	87,5	1,5	1,2	0,5	1,5	5	8,3	250	22350.0611	22350.0711	
8,3	15	9,65	21,5	10,05	8,75	25,7	36,0	27,0	30	49	87,5	1,5	1,2	0,5	1,5	10	8,3	250	22350.0612	22350.0712	
8,3	25	9,65	21,5	10,05	8,75	25,7	36,0	27,0	30	49	87,5	1,5	1,2	0,5	1,5	15	8,3	250	22350.0614	22350.0714	
8,3	35	9,65	21,5	10,05	8,75	25,7	36,0	27,0	30	49	87,5	1,5	1,2	0,5	1,5	15	8,3	250	22350.0616	22350.0716	
10,0	15	11,70	21,5	12,20	10,20	25,7	36,0	27,0	30	49	87,5	2,7	2,4	2,1	1,5	10	10,0	250	22350.0621	22350.0721	
10,0	25	11,70	21,5	12,20	10,20	25,7	36,0	27,0	30	49	87,5	2,7	2,4	2,1	1,5	10	10,0	250	22350.0623	22350.0723	
10,0	35	11,70	21,5	12,20	10,20	25,7	36,0	27,0	30	49	87,5	2,7	2,4	2,1	1,5	10	10,0	250	22350.0625	22350.0725	
10,0	50	11,70	21,5	12,20	10,20	25,7	36,0	27,0	30	49	87,5	2,7	2,4	2,1	1,5	10	10,0	250	22350.0627	22350.0727	
12,0	15	14,20	21,5	14,70	11,00	25,7	36,0	27,0	30	49	87,5	3,5	3,2	2,8	1,5	10	12,0	250	22350.0631	22350.0731	
12,0	25	14,20	21,5	14,70	11,00	25,7	36,0	27,0	30	49	87,5	3,5	3,2	2,8	1,5	15	12,0	250	22350.0633	22350.0733	
12,0	35	14,20	21,5	14,70	11,00	25,7	36,0	27,0	30	49	87,5	3,5	3,2	2,8	1,5	15	12,0	250	22350.0635	22350.0735	
12,0	50	14,20	21,5	14,70	11,00	25,7	36,0	27,0	30	49	87,5	3,5	3,2	2,8	1,5	15	12,0	250	22350.0637	22350.0737	
13,8	25	16,20	21,5	16,70	13,00	25,7	36,0	27,0	30	49	87,5	3,8	3,5	2,8	1,5	15	13,8	250	22350.0651	22350.0751	
13,8	50	16,20	21,5	16,70	13,00	25,7	36,0	27,0	30	49	87,5	3,8	3,5	2,8	1,5	35	13,8	250	22350.0653	22350.0753	
13,8	75	16,20	21,5	16,70	13,00	25,7	36,0	27,0	30	49	87,5	3,8	3,5	2,8	1,5	35	13,8	250	22350.0655	22350.0755	
16,0	25	18,60	25,0	19,20	15,10	31,0	44,5	27,0	30	49	92,8	4,8	4,5	4,1	1,5	15	16,0	250	22350.0641	22350.0741	
16,0	50	18,60	25,0	19,20	15,10	31,0	44,5	27,0	30	49	92,8	4,8	4,5	4,1	1,5	35	16,0	250	22350.0643	22350.0743	
16,0	75	18,60	25,0	19,20	15,10	31,0	44,5	27,0	30	49	92,8	4,8	4,5	4,1	1,5	40	16,0	250	22350.0645	22350.0745	
20,0	50	24,50	30,0	25,00	19,70	36,5	52,0	32,6	36	56	114,0	10,0	8,5	6,5	1,5	25	20,0	250	22350.0673	22350.0773	
20,0	75	24,50	30,0	25,00	19,70	36,5	52,0	32,6	36	56	114,0	10,0	8,5	6,5	1,5	30	20,0	250	22350.0675	22350.0775	



EC - 致性聲明 / EC Declaration of conformity

此產品符合 EC 指令 2006/42/EC.

This product is conform with the EC Directive 2006/42/EC.

製造商 / Manufacture: *

地址 / Address: *

* 對文件負責 /
responsible for documentation

Erwin Halder KG
Erwin-Halder-Strasse 5 - 9
88480 Achstetten-Bronnen
Germany

品名 / Product:

品號 / Type:

定位扣件 / Lifting Pin
EH 22350.

申請標準 /

Applied standard:

DIN EN 13155:2020

Achstetten-Bronnen, 03.2024

S. Halder
Stefan Halder, 總經理 / General Manager

