

## 星型把手螺絲 · 塑膠

### EH 24750.



#### 產品描述

##### 材質

##### 蓋子

- 熱可塑性塑膠 (PA), 黑色 RAL 9005
- 熱可塑性塑膠 (PA), 白色 RAL 9019.
- 熱可塑性塑膠 (PA) 橘色 RAL 2004
- 熱可塑性塑膠 (PA), 黃色 RAL 1016.
- 熱可塑性塑膠 (PA), 藍色 RAL 5015.

##### 把手

- 熱可塑性塑膠 (PA6), 黑色 RAL 9005

##### 螺絲

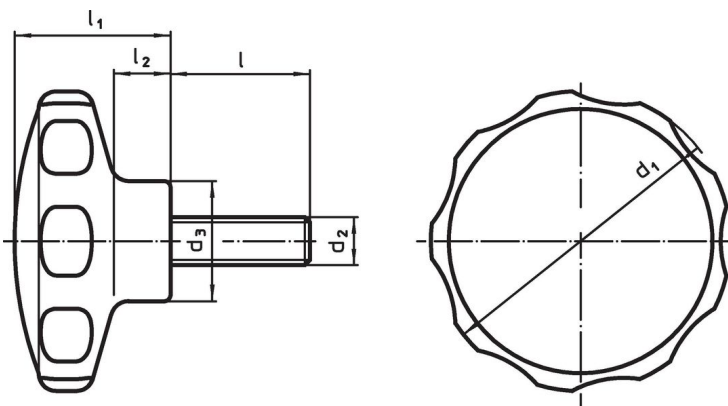
- 不銹鋼

#### 更多資訊

##### 注意事項

特殊製作, 例如: 不同的螺紋或螺紋長度, 歡迎洽詢。

#### 圖面



#### 訂單資訊

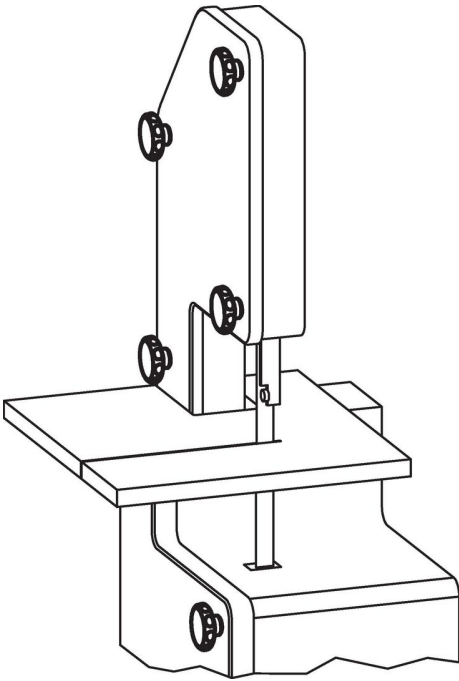
尺寸		尺寸		尺寸		溫度		重量	品號
d <sub>1</sub>	d <sub>2</sub>	l	d <sub>3</sub>	l <sub>1</sub>	l <sub>2</sub>	min	max.	[g]	
[mm]					[°C]				
黑色									
30	M 4	10	14,0	19	7	-30	80	6,1	24750.0100
30	M 4	14	14,0	19	7	-30	80	6,6	24750.0110
30	M 4	18	14,0	19	7	-30	80	6,9	24750.0120
30	M 4	23	14,0	19	7	-30	80	7,3	24750.0130
30	M 4	28	14,0	19	7	-30	80	7,7	24750.0140
30	M 5	10	14,0	19	7	-30	80	7,5	24750.0150
30	M 5	14	14,0	19	7	-30	80	7,9	24750.0160
30	M 5	18	14,0	19	7	-30	80	8,4	24750.0170
30	M 5	23	14,0	19	7	-30	80	9,0	24750.0180
30	M 5	28	14,0	19	7	-30	80	9,0	24750.0190
40	M 5	10	16,5	22	9	-30	80	9,6	24750.0200
40	M 5	14	16,5	22	9	-30	80	10,0	24750.0210
40	M 5	18	16,5	22	9	-30	80	11,0	24750.0220
40	M 5	23	16,5	22	9	-30	80	12,0	24750.0230
40	M 5	28	16,5	22	9	-30	80	12,0	24750.0240
40	M 6	14	16,5	22	9	-30	80	12,0	24750.0250
40	M 6	18	16,5	22	9	-30	80	13,0	24750.0260
40	M 6	23	16,5	22	9	-30	80	14,0	24750.0270
40	M 6	28	16,5	22	9	-30	80	15,0	24750.0280
40	M 6	38	16,5	22	9	-30	80	16,0	24750.0290
50	M 6	14	22,0	26	10	-30	80	19,0	24750.0300
50	M 6	18	22,0	26	10	-30	80	19,0	24750.0310
50	M 6	23	22,0	26	10	-30	80	20,0	24750.0320

d <sub>1</sub>	d <sub>2</sub>	尺寸				l <sub>1</sub>	l <sub>2</sub>	溫度		重量 [g]	品號
		l	d <sub>3</sub>	min	max.						
		[mm]		[°C]							
50	M 6	28	22,0	26	10	-30	80	21,0	24750.0330		
50	M 6	38	22,0	26	10	-30	80	23,0	24750.0340		
50	M 8	18	22,0	26	10	-30	80	26,0	24750.0350		
50	M 8	23	22,0	26	10	-30	80	27,0	24750.0360		
50	M 8	28	22,0	26	10	-30	80	29,0	24750.0370		
50	M 8	38	22,0	26	10	-30	80	32,0	24750.0380		
50	M 8	48	22,0	26	10	-30	80	35,0	24750.0390		
62	M 8	18	22,0	35	13	-30	80	40,0	24750.0400		
62	M 8	23	22,0	35	13	-30	80	41,0	24750.0410		
62	M 8	28	22,0	35	13	-30	80	43,0	24750.0420		
62	M 8	38	22,0	35	13	-30	80	46,0	24750.0430		
62	M 8	48	22,0	35	13	-30	80	49,0	24750.0440		
62	M10	23	22,0	35	13	-30	80	51,0	24750.0450		
62	M10	28	22,0	35	13	-30	80	54,0	24750.0460		
62	M10	38	22,0	35	13	-30	80	59,0	24750.0470		
62	M10	48	22,0	35	13	-30	80	64,0	24750.0480		
62	M10	58	22,0	35	13	-30	80	69,0	24750.0490		
白色											
30	M 4	10	14,0	19	7	-30	80	6,1	24750.0101		
30	M 4	14	14,0	19	7	-30	80	6,6	24750.0111		
30	M 4	18	14,0	19	7	-30	80	6,9	24750.0121		
30	M 4	23	14,0	19	7	-30	80	7,3	24750.0131		
30	M 4	28	14,0	19	7	-30	80	7,7	24750.0141		
30	M 5	10	14,0	19	7	-30	80	7,5	24750.0151		
30	M 5	14	14,0	19	7	-30	80	7,9	24750.0161		
30	M 5	18	14,0	19	7	-30	80	8,4	24750.0171		
30	M 5	23	14,0	19	7	-30	80	9,0	24750.0181		
30	M 5	28	14,0	19	7	-30	80	9,0	24750.0191		
40	M 5	10	16,5	22	9	-30	80	9,6	24750.0201		
40	M 5	14	16,5	22	9	-30	80	10,0	24750.0211		
40	M 5	18	16,5	22	9	-30	80	11,0	24750.0221		
40	M 5	23	16,5	22	9	-30	80	12,0	24750.0231		
40	M 5	28	16,5	22	9	-30	80	12,0	24750.0241		
40	M 6	14	16,5	22	9	-30	80	12,0	24750.0251		
40	M 6	18	16,5	22	9	-30	80	13,0	24750.0261		
40	M 6	23	16,5	22	9	-30	80	14,0	24750.0271		
40	M 6	28	16,5	22	9	-30	80	15,0	24750.0281		
40	M 6	38	16,5	22	9	-30	80	16,0	24750.0291		
50	M 6	14	22,0	26	10	-30	80	19,0	24750.0301		
50	M 6	18	22,0	26	10	-30	80	19,0	24750.0311		
50	M 6	23	22,0	26	10	-30	80	20,0	24750.0321		
50	M 6	28	22,0	26	10	-30	80	21,0	24750.0331		
50	M 6	38	22,0	26	10	-30	80	23,0	24750.0341		
50	M 8	18	22,0	26	10	-30	80	26,0	24750.0351		
50	M 8	23	22,0	26	10	-30	80	27,0	24750.0361		
50	M 8	28	22,0	26	10	-30	80	29,0	24750.0371		
50	M 8	38	22,0	26	10	-30	80	32,0	24750.0381		
50	M 8	48	22,0	26	10	-30	80	35,0	24750.0391		
62	M 8	18	22,0	35	13	-30	80	40,0	24750.0401		
62	M 8	23	22,0	35	13	-30	80	41,0	24750.0411		
62	M 8	28	22,0	35	13	-30	80	43,0	24750.0421		
62	M 8	38	22,0	35	13	-30	80	46,0	24750.0431		
62	M 8	48	22,0	35	13	-30	80	49,0	24750.0441		
62	M10	23	22,0	35	13	-30	80	51,0	24750.0451		
62	M10	28	22,0	35	13	-30	80	54,0	24750.0461		
62	M10	38	22,0	35	13	-30	80	59,0	24750.0471		
62	M10	48	22,0	35	13	-30	80	64,0	24750.0481		
62	M10	58	22,0	35	13	-30	80	69,0	24750.0491		
橘色											
30	M 4	10	14,0	19	7	-30	80	6,1	24750.0102		
30	M 4	14	14,0	19	7	-30	80	6,6	24750.0112		
30	M 4	18	14,0	19	7	-30	80	6,9	24750.0122		

d <sub>1</sub>	d <sub>2</sub>	尺寸				l <sub>1</sub>	l <sub>2</sub>	溫度		重量 [g]	品號
		l	d <sub>3</sub>	min	max.						
		[mm]		[°C]							
30	M 4	23	14,0	19	7	-30	80	7,3	24750.0132		
30	M 4	28	14,0	19	7	-30	80	7,7	24750.0142		
30	M 5	10	14,0	19	7	-30	80	7,5	24750.0152		
30	M 5	14	14,0	19	7	-30	80	7,9	24750.0162		
30	M 5	18	14,0	19	7	-30	80	8,4	24750.0172		
30	M 5	23	14,0	19	7	-30	80	9,0	24750.0182		
30	M 5	28	14,0	19	7	-30	80	9,0	24750.0192		
40	M 5	10	16,5	22	9	-30	80	9,6	24750.0202		
40	M 5	14	16,5	22	9	-30	80	10,0	24750.0212		
40	M 5	18	16,5	22	9	-30	80	11,0	24750.0222		
40	M 5	23	16,5	22	9	-30	80	12,0	24750.0232		
40	M 5	28	16,5	22	9	-30	80	12,0	24750.0242		
40	M 6	14	16,5	22	9	-30	80	12,0	24750.0252		
40	M 6	18	16,5	22	9	-30	80	13,0	24750.0262		
40	M 6	23	16,5	22	9	-30	80	14,0	24750.0272		
40	M 6	28	16,5	22	9	-30	80	15,0	24750.0282		
40	M 6	38	16,5	22	9	-30	80	16,0	24750.0292		
50	M 6	14	22,0	26	10	-30	80	19,0	24750.0302		
50	M 6	18	22,0	26	10	-30	80	19,0	24750.0312		
50	M 6	23	22,0	26	10	-30	80	20,0	24750.0322		
50	M 6	28	22,0	26	10	-30	80	21,0	24750.0332		
50	M 6	38	22,0	26	10	-30	80	23,0	24750.0342		
50	M 8	18	22,0	26	10	-30	80	26,0	24750.0352		
50	M 8	23	22,0	26	10	-30	80	27,0	24750.0362		
50	M 8	28	22,0	26	10	-30	80	29,0	24750.0372		
50	M 8	38	22,0	26	10	-30	80	32,0	24750.0382		
50	M 8	48	22,0	26	10	-30	80	35,0	24750.0392		
62	M 8	18	22,0	35	13	-30	80	40,0	24750.0402		
62	M 8	23	22,0	35	13	-30	80	41,0	24750.0412		
62	M 8	28	22,0	35	13	-30	80	43,0	24750.0422		
62	M 8	38	22,0	35	13	-30	80	46,0	24750.0432		
62	M 8	48	22,0	35	13	-30	80	49,0	24750.0442		
62	M10	23	22,0	35	13	-30	80	51,0	24750.0452		
62	M10	28	22,0	35	13	-30	80	54,0	24750.0462		
62	M10	38	22,0	35	13	-30	80	59,0	24750.0472		
62	M10	48	22,0	35	13	-30	80	64,0	24750.0482		
62	M10	58	22,0	35	13	-30	80	69,0	24750.0492		
黃色											
30	M 4	10	14,0	19	7	-30	80	6,1	24750.0103		
30	M 4	14	14,0	19	7	-30	80	6,6	24750.0113		
30	M 4	18	14,0	19	7	-30	80	6,9	24750.0123		
30	M 4	23	14,0	19	7	-30	80	7,3	24750.0133		
30	M 4	28	14,0	19	7	-30	80	7,7	24750.0143		
30	M 5	10	14,0	19	7	-30	80	7,5	24750.0153		
30	M 5	14	14,0	19	7	-30	80	7,9	24750.0163		
30	M 5	18	14,0	19	7	-30	80	8,4	24750.0173		
30	M 5	23	14,0	19	7	-30	80	9,0	24750.0183		
30	M 5	28	14,0	19	7	-30	80	9,0	24750.0193		
40	M 5	10	16,5	22	9	-30	80	9,6	24750.0203		
40	M 5	14	16,5	22	9	-30	80	10,0	24750.0213		
40	M 5	18	16,5	22	9	-30	80	11,0	24750.0223		
40	M 5	23	16,5	22	9	-30	80	12,0	24750.0233		
40	M 5	28	16,5	22	9	-30	80	12,0	24750.0243		
40	M 6	14	16,5	22	9	-30	80	12,0	24750.0253		
40	M 6	18	16,5	22	9	-30	80	13,0	24750.0263		
40	M 6	23	16,5	22	9	-30	80	14,0	24750.0273		
40	M 6	28	16,5	22	9	-30	80	15,0	24750.0283		
40	M 6	38	16,5	22	9	-30	80	16,0	24750.0293		
50	M 6	14	22,0	26	10	-30	80	19,0	24750.0303		
50	M 6	18	22,0	26	10	-30	80	19,0	24750.0313		
50	M 6	23	22,0	26	10	-30	80	20,0	24750.0323		
50	M 6	28	22,0	26	10	-30	80	21,0	24750.0333		

d <sub>1</sub>	d <sub>2</sub>	尺寸				l <sub>1</sub>	l <sub>2</sub>	溫度		重量 [g]	品號
		l	d <sub>3</sub>	min	max.						
		[mm]		[°C]							
50	M 6	38	22,0	26	10	-30	80	23,0	24750.0343		
50	M 8	18	22,0	26	10	-30	80	26,0	24750.0353		
50	M 8	23	22,0	26	10	-30	80	27,0	24750.0363		
50	M 8	28	22,0	26	10	-30	80	29,0	24750.0373		
50	M 8	38	22,0	26	10	-30	80	32,0	24750.0383		
50	M 8	48	22,0	26	10	-30	80	35,0	24750.0393		
62	M 8	18	22,0	35	13	-30	80	40,0	24750.0403		
62	M 8	23	22,0	35	13	-30	80	41,0	24750.0413		
62	M 8	28	22,0	35	13	-30	80	43,0	24750.0423		
62	M 8	38	22,0	35	13	-30	80	46,0	24750.0433		
62	M 8	48	22,0	35	13	-30	80	49,0	24750.0443		
62	M10	23	22,0	35	13	-30	80	51,0	24750.0453		
62	M10	28	22,0	35	13	-30	80	54,0	24750.0463		
62	M10	38	22,0	35	13	-30	80	59,0	24750.0473		
62	M10	48	22,0	35	13	-30	80	64,0	24750.0483		
62	M10	58	22,0	35	13	-30	80	69,0	24750.0493		
藍色											
30	M 4	10	14,0	19	7	-30	80	6,1	24750.0104		
30	M 4	14	14,0	19	7	-30	80	6,6	24750.0114		
30	M 4	18	14,0	19	7	-30	80	6,9	24750.0124		
30	M 4	23	14,0	19	7	-30	80	7,3	24750.0134		
30	M 4	28	14,0	19	7	-30	80	7,7	24750.0144		
30	M 5	10	14,0	19	7	-30	80	7,5	24750.0154		
30	M 5	14	14,0	19	7	-30	80	7,9	24750.0164		
30	M 5	18	14,0	19	7	-30	80	8,4	24750.0174		
30	M 5	23	14,0	19	7	-30	80	9,0	24750.0184		
30	M 5	28	14,0	19	7	-30	80	9,0	24750.0194		
40	M 5	10	16,5	22	9	-30	80	9,6	24750.0204		
40	M 5	14	16,5	22	9	-30	80	10,0	24750.0214		
40	M 5	18	16,5	22	9	-30	80	11,0	24750.0224		
40	M 5	23	16,5	22	9	-30	80	12,0	24750.0234		
40	M 5	28	16,5	22	9	-30	80	12,0	24750.0244		
40	M 6	14	16,5	22	9	-30	80	12,0	24750.0254		
40	M 6	18	16,5	22	9	-30	80	13,0	24750.0264		
40	M 6	23	16,5	22	9	-30	80	14,0	24750.0274		
40	M 6	28	16,5	22	9	-30	80	15,0	24750.0284		
40	M 6	38	16,5	22	9	-30	80	16,0	24750.0294		
50	M 6	14	22,0	26	10	-30	80	19,0	24750.0304		
50	M 6	18	22,0	26	10	-30	80	19,0	24750.0314		
50	M 6	23	22,0	26	10	-30	80	20,0	24750.0324		
50	M 6	28	22,0	26	10	-30	80	21,0	24750.0334		
50	M 6	38	22,0	26	10	-30	80	23,0	24750.0344		
50	M 8	18	22,0	26	10	-30	80	26,0	24750.0354		
50	M 8	23	22,0	26	10	-30	80	27,0	24750.0364		
50	M 8	28	22,0	26	10	-30	80	29,0	24750.0374		
50	M 8	38	22,0	26	10	-30	80	32,0	24750.0384		
50	M 8	48	22,0	26	10	-30	80	35,0	24750.0394		
62	M 8	18	22,0	35	13	-30	80	40,0	24750.0404		
62	M 8	23	22,0	35	13	-30	80	41,0	24750.0414		
62	M 8	28	22,0	35	13	-30	80	43,0	24750.0424		
62	M 8	38	22,0	35	13	-30	80	46,0	24750.0434		
62	M 8	48	22,0	35	13	-30	80	49,0	24750.0444		
62	M10	23	22,0	35	13	-30	80	51,0	24750.0454		
62	M10	28	22,0	35	13	-30	80	54,0	24750.0464		
62	M10	38	22,0	35	13	-30	80	59,0	24750.0474		
62	M10	48	22,0	35	13	-30	80	64,0	24750.0484		
62	M10	58	22,0	35	13	-30	80	69,0	24750.0494		

## 應用範例



## 遵守

### 符合 RoHS

符合指令 2011/65/EU 和指令 2015/863

### 不含 SVHC 物質

不含超過 0.1% w/w 的 SVHC 物質 - 截至 2024 年 6 月 27 日的 SVHC 清單。

### 不含 65 號提案物質

不包括 65 號提案物質

<https://www.P65Warnings.ca.gov/>

### 不含衝突礦物

本產品不含來自剛果民主共和國或鄰近國家的任何被指定為“衝突礦物”的物質，例如鈿、錫、金或鎳。