

夾持螺帽・焊接的、雙面 EH 24470.



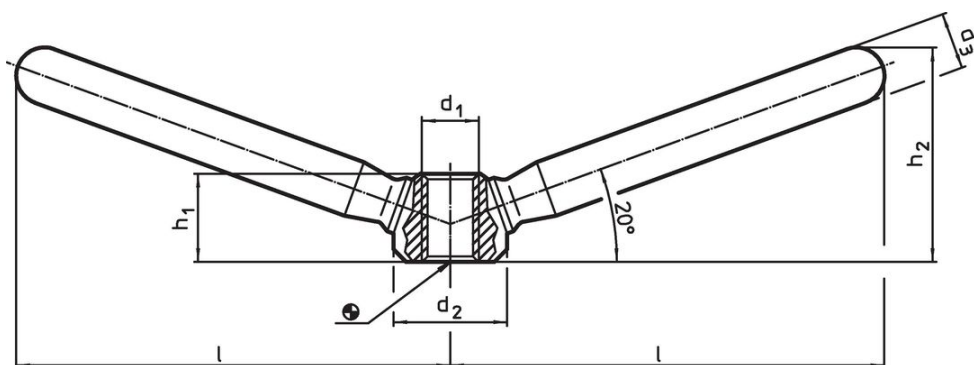
產品描述

可用雙手操作。

材質

- 鋼，鍍鋅
- 不銹鋼 1.4301，噴砂處理

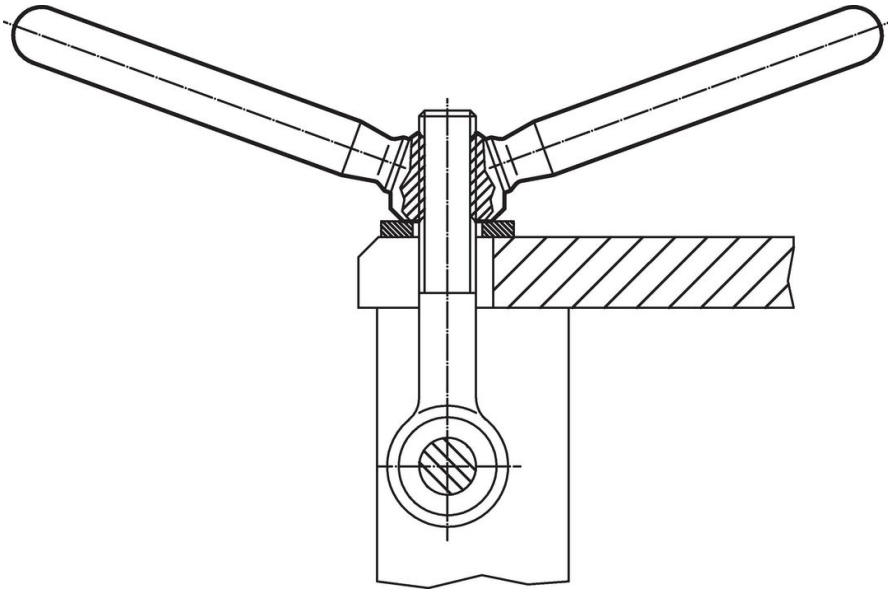
圖面



訂單資訊

| l | d ₁ | 尺寸 | | | h ₁ | h ₂ | [g] | 品號 |
|------------|----------------|----------------|----------------|------|----------------|----------------|----------------------------|----|
| | | d ₂ | d ₃ | [mm] | | | | |
| 鋼 | | | | | | | | |
| 47,5 | M 8 | 16 | 10 | 12,5 | 26 | 63 | 24470.0706 | |
| 59,5 | M10 | 20 | 12 | 15,0 | 32 | 116 | 24470.0708 | |
| 75,5 | M12 | 25 | 14 | 19,0 | 40 | 210 | 24470.0710 | |
| 94,5 | M16 | 32 | 18 | 25,0 | 52 | 432 | 24470.0712 | |
| 118,0 | M20 | 40 | 20 | 31,0 | 62 | 716 | 24470.0716 | |
| 不銹鋼 | | | | | | | | |
| 47,5 | M 8 | 16 | 10 | 12,5 | 26 | 63 | 24470.0806 | |
| 59,5 | M10 | 20 | 12 | 15,0 | 32 | 116 | 24470.0808 | |
| 75,5 | M12 | 25 | 14 | 19,0 | 40 | 210 | 24470.0810 | |
| 94,5 | M16 | 32 | 18 | 25,0 | 52 | 432 | 24470.0812 | |
| 118,0 | M20 | 40 | 20 | 31,0 | 62 | 716 | 24470.0816 | |

應用範例



遵守

有關詳細的合規信息，請選擇所需的貨號。