

球面華司 / 圓錐型座 • DIN 6319

EH 23050.



產品描述

球形墊圈/錐形座在螺栓連接中用作墊圈使用，以補償不平行的表面。

材質

錐形座
• 表面硬化鋼，表面硬化，磷酸鹽處理
• 熱處理鋼、鍛鍊的、磷酸鹽

球面華司

• 表面硬化鋼，表面硬化，磷酸鹽處理

組裝

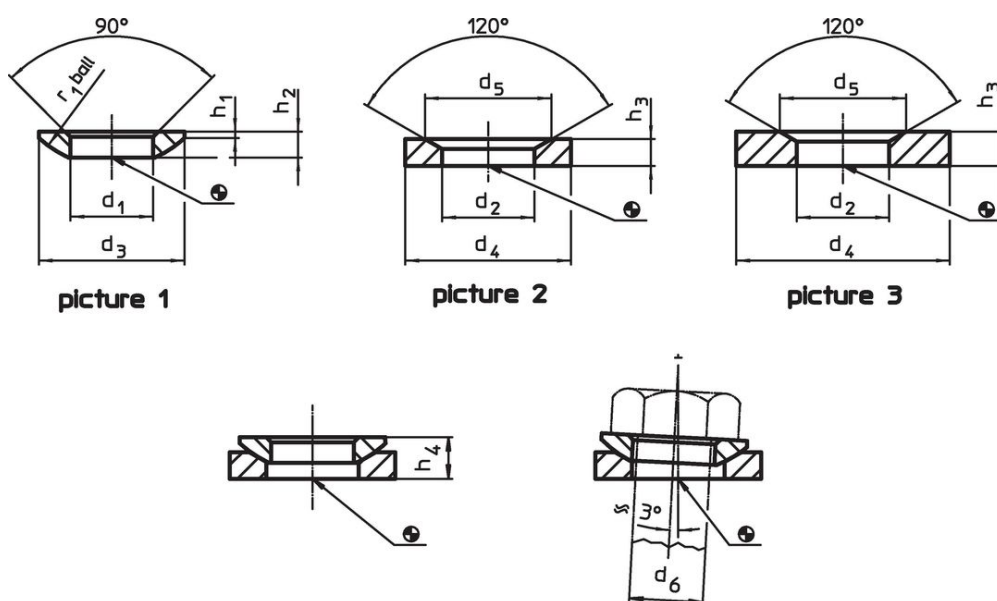
型式D的錐形座僅適用於平坦、封閉式的環狀區域。
對於延長孔則僅適用型式G。

更多資訊

更多產品

- 球面華司 / 圓錐型座，接近於 DIN 6319，不鏽鋼
- 固定螺帽，DIN 6330 (高1.5d)

圖面




訂單資訊

| 尺寸 | | | | | | | | | | | 雙頭螺栓用 | 螺絲用 | 靜態荷重能力 | 扭力 螺絲 連接 | 品號 | |
|------------------------------|----------------|----------------|----------------|----------------|----------------|----------------|----------------|----------------|----------|----------------|----------------|----------------|--------|-------------------|------|--------------------------|
| d ₁ | d ₂ | d ₃ | d ₄ | d ₅ | h ₁ | h ₂ | h ₃ | h ₄ | | r ₁ | d ₆ | d ₆ | max. | max. | | max. |
| H13 | H13 | | | | | | | 圓錐形座-型式D | 圓錐形座-型式G | | [mm] | [mm] | [kN] | [Nm] | [g] | |
| 球面型 華司 表面硬化鋼 或不鏽鋼，型式C，- 相片 1 | | | | | | | | | | | | | | | | |
| 6,4 | - | 12 | - | - | 0,7 | 2,3 | - | 4,2 | 5,4 | 9,0 | 6 | M 6 | 9 | 10 ¹⁾ | 1,0 | 23050.0006 |
| 8,4 | - | 17 | - | - | 0,6 | 3,2 | - | 5,6 | 7,1 | 12,0 | 8 | M 8 | 17 | 25 ¹⁾ | 2,8 | 23050.0008 |
| 10,5 | - | 21 | - | - | 0,8 | 4,0 | - | 6,5 | 7,3 | 15,0 | 10 | M10 | 26 | 46 ¹⁾ | 5,1 | 23050.0010 |
| 13,0 | - | 24 | - | - | 1,1 | 4,6 | - | 8,0 | 9,0 | 17,0 | 12 | M12 | 38 | 82 ¹⁾ | 8,0 | 23050.0012 |
| 15,0 | - | 28 | - | - | 1,4 | 5,0 | - | 8,5 | 9,5 | 22,0 | 14 | M14 | 53 | 130 ¹⁾ | 12,0 | 23050.0014 |
| 17,0 | - | 30 | - | - | 1,3 | 5,3 | - | 9,6 | 10,4 | 22,0 | 16 | M16 | 73 | 206 ¹⁾ | 13,0 | 23050.0016 |
| 21,0 | - | 36 | - | - | 2,0 | 6,3 | - | 11,7 | 12,2 | 27,0 | 20 | M20 | 117 | 407 ¹⁾ | 23,0 | 23050.0020 |
| 23,0 | - | 40 | - | - | 2,5 | 7,6 | - | 13,5 | - | 29,5 | 22 | M22 | 146 | 542 ¹⁾ | 35,0 | 23050.0022 ²⁾ |
| 25,0 | - | 44 | - | - | 2,4 | 8,2 | - | 15,2 | 15,7 | 32,0 | 24 | M24 | 168 | 698 ¹⁾ | 43,0 | 23050.0024 |

¹⁾ 標準螺紋螺絲的扭矩資訊，必要時考慮預加荷載，摩擦係數 μ_{total} 0.14。

²⁾ DIN 標準不包含這些尺寸。

³⁾ 理論數值

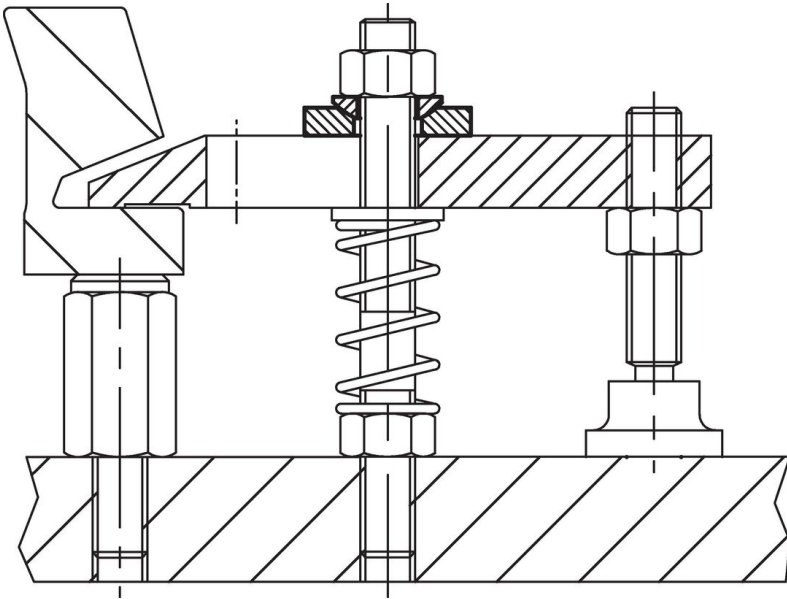
| d ₁ H13 | d ₂ H13 | d ₃ | d ₄ | d ₅ | 尺寸 | | | | | | 雙頭螺柱用 d ₆ | 螺絲用 d ₆ | 靜態荷 重能力 max. | 扭力 螺絲 連接 max. |  | 品號 |
|------------------------------|-----------------------|----------------|----------------|----------------|----------------|----------------|----------------|----------------|------|----------------|-------------------------|-----------------------|--------------------|------------------------|---|--------------------------|
| | | | | | h ₁ | h ₂ | h ₃ | h ₄ | | r ₁ | | | | | | |
| [mm] | | | | | | | | | | | [mm] | [mm] | [kN] | [Nm] | [g] | |
| 28,0 | - | 50 | - | - | 3,3 | 10,2 | - | 17,0 | - | 36,0 | 27 | M27 | 221 | 1021 ¹⁾ | 74,0 | 23050.0027 ²⁾ |
| 31,0 | - | 56 | - | - | 3,6 | 11,2 | - | 19,2 | 19,7 | 41,0 | 30 | M30 | 269 | 1355 ¹⁾ | 103,0 | 23050.0030 |
| 34,0 | - | 62 | - | - | 4,4 | 13,0 | - | 21,8 | - | 45,0 | 33 | M33 | 326 ³⁾ | 1969 ^{3) 1)} | 150,0 | 23050.0033 ²⁾ |
| 37,0 | - | 68 | - | - | 4,6 | 14,0 | - | 23,5 | - | 50,0 | 36 | M36 | 394 | 2372 ¹⁾ | 193,0 | 23050.0036 |
| 40,0 | - | 75 | - | - | 5,6 | 16,0 | - | 26,8 | - | 54,0 | 39 | M39 | 460 ³⁾ | 3276 ^{3) 1)} | 280,0 | 23050.0039 ²⁾ |
| 43,0 | - | 78 | - | - | 6,5 | 17,0 | - | 29,0 | - | 58,0 | 42 | M42 | 542 | 3802 ¹⁾ | 310,0 | 23050.0042 |
| 50,0 | - | 92 | - | - | 8,0 | 21,0 | - | 35,5 | - | 67,0 | 48 | M48 | 714 | 5730 ¹⁾ | 549,0 | 23050.0048 |
| 54,0 | - | 96 | - | - | 9,3 | 22,0 | - | 38,3 | - | 72,0 | 52 | M52 | 832 ³⁾ | 7876 ^{3) 1)} | 610,0 | 23050.0052 ²⁾ |
| 58,0 | - | 103 | - | - | 9,8 | 23,0 | - | 39,3 | - | 79,0 | 56 | M56 | 960 ³⁾ | 9793 ^{3) 1)} | 760,0 | 23050.0056 ²⁾ |
| 62,0 | - | 112 | - | - | 11,0 | 25,0 | - | 43,6 | - | 86,0 | 60 | M60 | 1122 ³⁾ | 12219 ^{3) 1)} | 990,0 | 23050.0060 ²⁾ |
| 66,0 | - | 120 | - | - | 12,0 | 27,0 | - | 46,6 | - | 93,0 | 64 | M64 | 1269 ³⁾ | 14762 ^{3) 1)} | 1220,0 | 23050.0064 ²⁾ |
| 錐形座 表面 硬化鋼 或不鏽鋼, 型式D, - 相片 2 | | | | | | | | | | | | | | | | |
| - | 7,1 | - | 12 | 11,0 | - | - | 2,8 | - | - | - | 6 | M 6 | 9 | 10 ¹⁾ | 1,3 | 23050.0106 |
| - | 9,6 | - | 17 | 14,5 | - | - | 3,5 | - | - | - | 8 | M 8 | 17 | 25 ¹⁾ | 3,7 | 23050.0108 |
| - | 12,0 | - | 21 | 18,5 | - | - | 4,2 | - | - | - | 10 | M10 | 26 | 46 ¹⁾ | 13,0 | 23050.0110 |
| - | 14,2 | - | 24 | 20,0 | - | - | 5,0 | - | - | - | 12 | M12 | 38 | 82 ¹⁾ | 10,0 | 23050.0112 |
| - | 16,5 | - | 28 | 24,8 | - | - | 5,6 | - | - | - | 14 | M14 | 53 | 130 ¹⁾ | 15,0 | 23050.0114 |
| - | 19,0 | - | 30 | 26,0 | - | - | 6,2 | - | - | - | 16 | M16 | 73 | 206 ¹⁾ | 18,0 | 23050.0116 |
| - | 23,2 | - | 36 | 31,0 | - | - | 7,5 | - | - | - | 20 | M20 | 117 | 407 ¹⁾ | 31,0 | 23050.0120 |
| - | 26,0 | - | 40 | 34,0 | - | - | 8,5 | - | - | - | 22 | M22 | 146 | 542 ¹⁾ | 44,0 | 23050.0122 ²⁾ |
| - | 28,0 | - | 44 | 37,0 | - | - | 9,5 | - | - | - | 24 | M24 | 168 | 698 ¹⁾ | 61,0 | 23050.0124 |
| - | 31,5 | - | 50 | 43,0 | - | - | 10,5 | - | - | - | 27 | M27 | 221 | 1021 ¹⁾ | 87,0 | 23050.0127 ²⁾ |
| - | 35,0 | - | 56 | 49,0 | - | - | 12,0 | - | - | - | 30 | M30 | 269 | 1355 ¹⁾ | 125,0 | 23050.0130 |
| - | 38,5 | - | 62 | 55,0 | - | - | 14,0 | - | - | - | 33 | M33 | 326 ³⁾ | 1969 ^{3) 1)} | 180,0 | 23050.0133 ²⁾ |
| - | 42,0 | - | 68 | 60,0 | - | - | 15,0 | - | - | - | 36 | M36 | 394 | 2372 ¹⁾ | 230,0 | 23050.0136 |
| - | 45,0 | - | 75 | 67,0 | - | - | 17,0 | - | - | - | 39 | M39 | 460 ³⁾ | 3276 ^{3) 1)} | 330,0 | 23050.0139 ²⁾ |
| - | 49,0 | - | 78 | 70,0 | - | - | 18,0 | - | - | - | 42 | M42 | 542 | 3802 ¹⁾ | 360,0 | 23050.0142 |
| - | 56,0 | - | 92 | 82,0 | - | - | 22,0 | - | - | - | 48 | M48 | 714 | 5730 ¹⁾ | 640,0 | 23050.0148 |
| - | 60,0 | - | 96 | 85,0 | - | - | 24,0 | - | - | - | 52 | M52 | 832 ³⁾ | 7876 ^{3) 1)} | 740,0 | 23050.0152 ²⁾ |
| - | 65,0 | - | 103 | 93,0 | - | - | 25,0 | - | - | - | 56 | M56 | 960 ³⁾ | 9793 ^{3) 1)} | 900,0 | 23050.0156 ²⁾ |
| - | 70,0 | - | 112 | 102,0 | - | - | 28,0 | - | - | - | 60 | M60 | 1122 ³⁾ | 12219 ^{3) 1)} | 1160,0 | 23050.0160 ²⁾ |
| - | 75,0 | - | 120 | 110,0 | - | - | 30,0 | - | - | - | 64 | M64 | 1269 ³⁾ | 14762 ^{3) 1)} | 1430,0 | 23050.0164 ²⁾ |
| 錐形座 熱處理 不鏽鋼 型式G - 相片 3 | | | | | | | | | | | | | | | | |
| - | 7,1 | - | 17 | 11,0 | - | - | 4,0 | - | - | - | 6 | M 6 | 9 | 10 ¹⁾ | 5,6 | 23050.0206 |
| - | 9,6 | - | 24 | 14,5 | - | - | 5,0 | - | - | - | 8 | M 8 | 17 | 25 ¹⁾ | 14,0 | 23050.0208 |
| - | 12,0 | - | 30 | 18,5 | - | - | 5,0 | - | - | - | 10 | M10 | 26 | 46 ¹⁾ | 22,0 | 23050.0210 |
| - | 14,2 | - | 36 | 20,0 | - | - | 6,0 | - | - | - | 12 | M12 | 38 | 82 ¹⁾ | 39,0 | 23050.0212 |
| - | 16,5 | - | 40 | 24,8 | - | - | 6,0 | - | - | - | 14 | M14 | 53 | 130 ¹⁾ | 47,0 | 23050.0214 |
| - | 19,0 | - | 44 | 26,0 | - | - | 7,0 | - | - | - | 16 | M16 | 73 | 206 ¹⁾ | 65,0 | 23050.0216 |
| - | 23,2 | - | 50 | 31,0 | - | - | 8,0 | - | - | - | 20 | M20 | 117 | 407 ¹⁾ | 93,0 | 23050.0220 |
| - | 28,0 | - | 60 | 37,0 | - | - | 10,0 | - | - | - | 24 | M24 | 168 | 698 ¹⁾ | 165,0 | 23050.0224 |
| - | 35,0 | - | 68 | 49,0 | - | - | 12,0 | - | - | - | 30 | M30 | 269 | 1355 ¹⁾ | 235,0 | 23050.0230 |

¹⁾ 標準螺紋螺絲的扭矩資訊，必要時考慮預加荷載，摩擦係數 μ_{total} 0.14。

²⁾ DIN 標準不包含這些尺寸。

³⁾ 理論數值

應用範例



遵守

有關詳細的合規信息，請選擇所需的貨號。