

## 定位梢・有球形端

EH 22630.



### 產品描述

球形端圓柱梢可有助於工件的插入及避免固夾位置傾斜。

### 材質

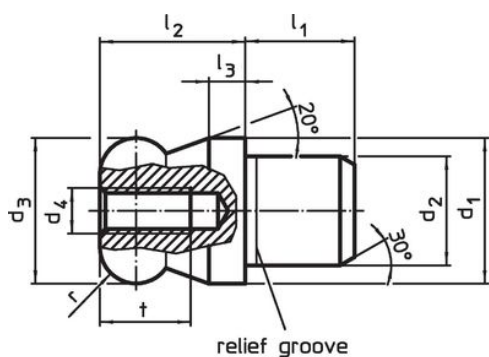
- 工具鋼，硬化，研磨和染黑
- 不鏽鋼 1.4305、地面、表面熱處理

### 更多資訊

#### 更多產品

- 定位梢, DIN 6321
- 定位梢, 有孔 類似 DIN 6321

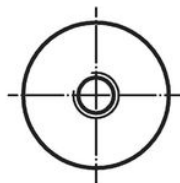
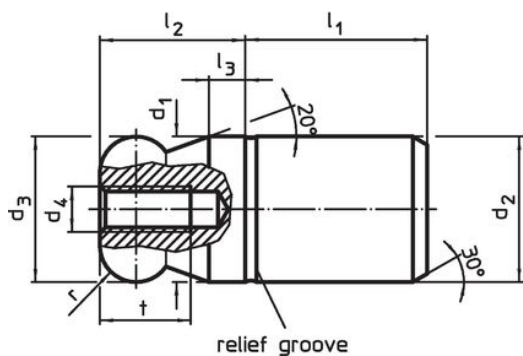
### 圖面



picture 1



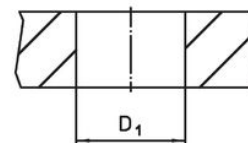
picture 2



picture 3





picture 4



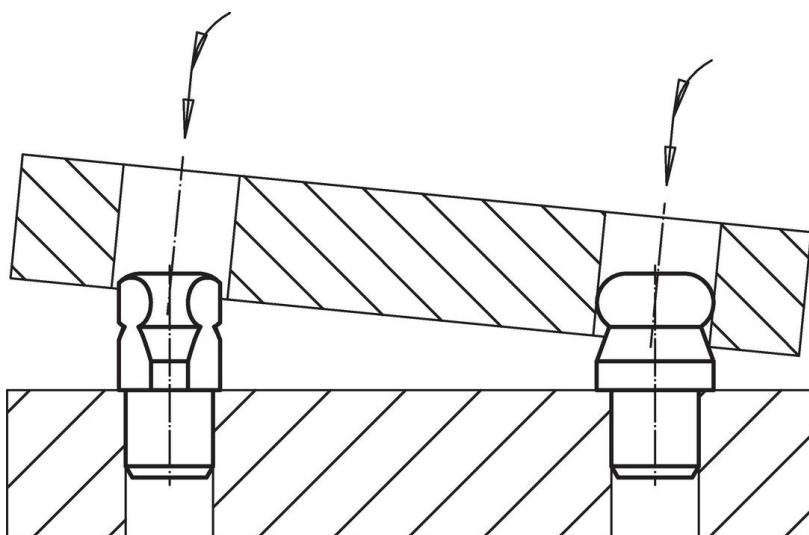
### 訂單資訊

尺寸										定位孔	品號	
d <sub>1</sub>	d <sub>2</sub>	d <sub>3</sub>	d <sub>4</sub>	l <sub>1</sub>	l <sub>2</sub>	l <sub>3</sub>	t	r	b	D <sub>1</sub> H7		
g6	n6	-0,01 -0,05									[mm]	[g]
[mm]												
球端 是平的 – 相片 1, 工具鋼												
6	4	6	M2,5	4	6	2,0	4,5	1,0	–	4	1,8	<a href="#">22630.0306</a>
8	6	8	M3	6	8	2,0	6,0	2,0	–	6	3,9	<a href="#">22630.0308</a>
10	7	10	M3	7	10	2,5	6,0	2,5	–	7	6,7	<a href="#">22630.0310</a>
12	8	12	M4	8	12	3,0	8,0	3,0	–	8	11,0	<a href="#">22630.0312</a>
14	10	14	M4	10	14	3,5	8,0	3,5	–	10	20,0	<a href="#">22630.0314</a>
16	12	16	M5	12	16	4,0	10,0	4,0	–	12	31,0	<a href="#">22630.0316</a>
20	14	20	M5	14	20	5,0	10,0	5,0	–	14	58,0	<a href="#">22630.0320</a>
22	16	22	M5	16	22	5,5	10,0	5,5	–	16	81,0	<a href="#">22630.0322</a>
25	18	25	M5	18	25	6,0	10,0	6,0	–	18	118,0	<a href="#">22630.0325</a>

d <sub>1</sub> g6	d <sub>2</sub> n6	d <sub>3</sub> -0,01 -0,05	d <sub>4</sub>	尺寸						定位孔 D <sub>1</sub> H7 [mm]	 [g]	品號
				l <sub>1</sub>	l <sub>2</sub>	l <sub>3</sub>	t	r	b			
[mm]												
<b>球端 是平的 – 相片 1, 不銹鋼</b>												
6	4	6	M2,5	4	6	2,0	4,5	1,0	–	4	1,8	22630.0346
8	6	8	M3	6	8	2,0	6,0	2,0	–	6	4,0	22630.0348
10	7	10	M3	7	10	2,5	6,0	2,5	–	7	6,7	22630.0350
12	8	12	M4	8	12	3,0	8,0	3,0	–	8	11,0	22630.0352
14	10	14	M4	10	14	3,5	8,0	3,5	–	10	20,0	22630.0354
16	12	16	M5	12	16	4,0	10,0	4,0	–	12	31,0	22630.0356
20	14	20	M5	14	20	5,0	10,0	5,0	–	14	58,0	22630.0360
<b>球端面 平的 – 相片 2, 工具鋼</b>												
6	4	6	M2,5	4	6	2,0	4,5	1,0	1,70	4	1,5	22630.0406
8	6	8	M3	6	8	2,0	6,0	2,0	2,00	6	3,2	22630.0408
10	7	10	M3	7	10	2,5	6,0	2,5	2,50	7	5,3	22630.0410
12	8	12	M4	8	12	3,0	8,0	3,0	2,50	8	8,0	22630.0412
14	10	14	M4	10	14	3,5	8,0	3,5	3,76	10	16,0	22630.0414
16	12	16	M5	12	16	4,0	10,0	4,0	4,30	12	25,0	22630.0416
20	14	20	M5	14	20	5,0	10,0	5,0	5,00	14	46,0	22630.0420
22	16	22	M5	16	22	5,5	10,0	5,5	5,00	16	63,0	22630.0422
25	18	25	M5	18	25	6,0	10,0	6,0	5,60	18	92,0	22630.0425
<b>球端面 平的 – 相片 2, 不銹鋼</b>												
6	4	6	M2,5	4	6	2,0	4,5	1,0	1,70	4	1,5	22630.0446
8	6	8	M3	6	8	2,0	6,0	2,0	2,00	6	3,2	22630.0448
10	7	10	M3	7	10	2,5	6,0	2,5	2,50	7	5,3	22630.0450
12	8	12	M4	8	12	3,0	8,0	3,0	2,50	8	8,0	22630.0452
14	10	14	M4	10	14	3,5	8,0	3,5	3,76	10	16,0	22630.0454
16	12	16	M5	12	16	4,0	10,0	4,0	4,30	12	25,0	22630.0456
20	14	20	M5	14	20	5,0	10,0	5,0	5,00	14	46,0	22630.0460
<b>平的球端 非階梯狀 – 相片 3, 工具鋼</b>												
5	5	5	M2,5	6	5	2,0	4,5	1,0	–	5	2,4	22630.0505
6	6	6	M3	8	6	2,0	5,0	1,0	–	6	2,9	22630.0506
8	8	8	M3	10	8	2,0	6,0	2,0	–	8	6,0	22630.0508
10	10	10	M3	13	10	2,5	6,0	2,5	–	10	12,0	22630.0510
12	12	12	M4	15	12	3,0	8,0	3,0	–	12	21,0	22630.0512
14	14	14	M4	17	14	3,5	8,0	3,5	–	14	34,0	22630.0514
16	16	16	M5	20	16	4,0	10,0	4,0	–	16	51,0	22630.0516
20	20	20	M5	25	20	5,0	10,0	5,0	–	20	101,0	22630.0520
25	25	25	M5	25	25	6,0	10,0	6,0	–	25	176,0	22630.0525
30	30	30	M6	30	30	8,0	12,0	8,0	–	30	307,0	22630.0530
40	40	40	M6	40	40	10,0	12,0	10,0	–	40	729,0	22630.0540
50	50	50	M6	50	50	12,0	12,0	12,0	–	50	1422,0	22630.0550
<b>平的球端 非階梯狀 – 相片 3, 不銹鋼</b>												
5	5	5	M2,5	6	5	2,0	4,5	1,0	–	5	1,8	22630.0565
6	6	6	M3	8	6	2,0	5,0	1,0	–	6	3,4	22630.0566
8	8	8	M3	10	8	2,0	6,0	2,0	–	8	6,0	22630.0568
10	10	10	M3	13	10	2,5	6,0	2,5	–	10	12,0	22630.0570
12	12	12	M4	15	12	3,0	8,0	3,0	–	12	21,0	22630.0572
14	14	14	M4	17	14	3,5	8,0	3,5	–	14	34,0	22630.0574
16	16	16	M5	20	16	4,0	10,0	4,0	–	16	51,0	22630.0576
20	20	20	M5	25	20	5,0	10,0	5,0	–	20	101,0	22630.0580
<b>平的球端面, 非階梯狀 – 相片 4, 工具鋼</b>												
5	5	5	M2,5	6	5	2,0	4,5	1,0	1,50	5	1,2	22630.0605
6	6	6	M3	8	6	2,0	5,0	1,0	1,80	6	3,1	22630.0606
8	8	8	M3	10	8	2,0	6,0	2,0	1,90	8	5,0	22630.0608
10	10	10	M3	13	10	2,5	6,0	2,5	2,50	10	11,0	22630.0610
12	12	12	M4	15	12	3,0	8,0	3,0	2,50	12	17,0	22630.0612
14	14	14	M4	17	14	3,5	8,0	3,5	3,90	14	30,0	22630.0614
16	16	16	M5	20	16	4,0	10,0	4,0	4,30	16	44,0	22630.0616
20	20	20	M5	25	20	5,0	10,0	5,0	5,00	20	88,0	22630.0620

d <sub>1</sub> g6	d <sub>2</sub> n6	d <sub>3</sub> -0,01 -0,05	d <sub>4</sub>	尺寸						定位孔 D <sub>1</sub> H7		品號
				l <sub>1</sub>	l <sub>2</sub>	l <sub>3</sub>	t	r	b			
[mm]										[mm]	[g]	
25	25	25	M5	25	25	6,0	10,0	6,0	5,60	25	149,0	22630.0625
30	30	30	M6	30	30	8,0	12,0	8,0	8,80	30	270,0	22630.0630
40	40	40	M6	40	40	10,0	12,0	10,0	12,80	40	657,0	22630.0640
50	50	50	M6	50	50	12,0	12,0	12,0	16,70	50	1243,0	22630.0650
平的球端面, 非階梯狀 - 相片 4, 不銹鋼												
5	5	5	M2,5	6	5	2,0	4,5	1,0	1,50	5	1,1	22630.0665
6	6	6	M3	8	6	2,0	5,0	1,0	1,80	6	2,3	22630.0666
8	8	8	M3	10	8	2,0	6,0	2,0	1,90	8	5,0	22630.0668
10	10	10	M3	13	10	2,5	6,0	2,5	2,50	10	11,0	22630.0670
12	12	12	M4	15	12	3,0	8,0	3,0	2,50	12	17,0	22630.0672
14	14	14	M4	17	14	3,5	8,0	3,5	3,90	14	30,0	22630.0674
16	16	16	M5	20	16	4,0	10,0	4,0	4,30	16	44,0	22630.0676
20	20	20	M5	25	20	5,0	10,0	5,0	5,00	20	88,0	22630.0680

### 應用範例



### 遵守

#### 符合 RoHS

符合指令 2011/65/EU 和指令 2015/863

#### 不含 SVHC 物質

不含超過 0.1% w/w 的 SVHC 物質 - 截至 2024 年 1 月 23 日的 SVHC 清單。

#### 不含 65 號提案物質

不包括 65 號提案物質

<https://www.P65Warnings.ca.gov/>

#### 不含衝突礦物

本產品不含來自剛果民主共和國或鄰近國家的任何被指定為“衝突礦物”的物質，例如鈮、錫、金或鎢。