

## 水平腳座 · 防滑保護

EH 22590.



### 產品描述

用來當作推力腳墊或腳座。  
在嵌裝墊外的塑料套可預防滑動。

### 材質

#### 滾珠軸承

- 切削鋼，表面硬化，染黑。
- 不鏽鋼 1.4305

#### 有桿滾珠軸承

- 熱處理鋼，染黑
- 不鏽鋼 1.4305

#### 橡膠帽

- 橡膠，黑色

#### 固定螺帽

- 鋼，染黑，ISO 4032
- 鋼，染黑，DIN 934
- 不鏽鋼 A2，ISO 4032
- 不鏽鋼 A2，DIN 934

#### 腳座

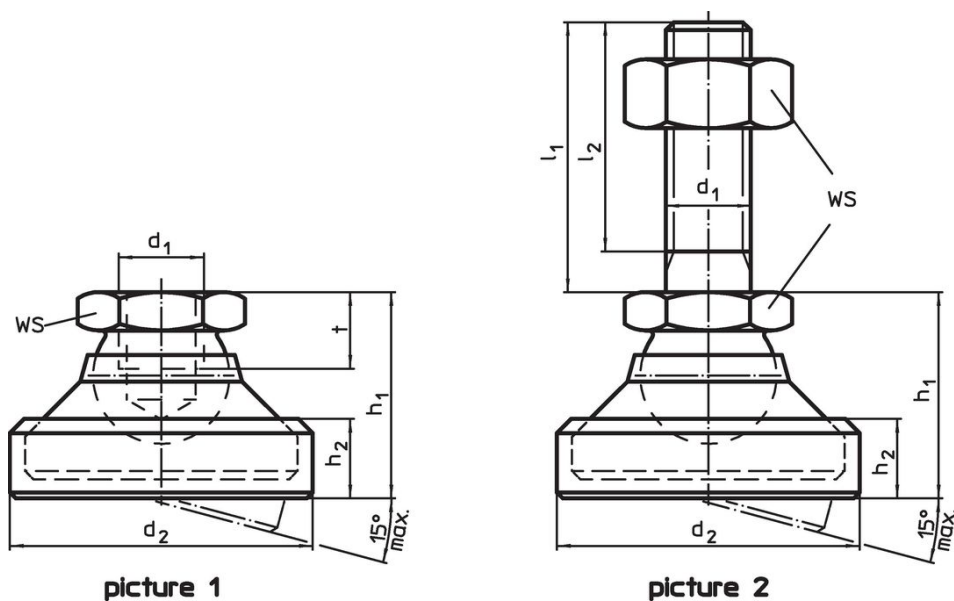
- 鋼，熱處理，染黑
- 不鏽鋼 1.4305
- 得林白塑膠 (POM)

### 更多資訊


#### 注意事項


對於版本  $d_1 = M10$  和  $M12$ ，鎖緊螺母符合 DIN 934 標準。

### 圖面



### 訂單資訊

$d_1$	$l_1$	$d_2$	尺寸 [mm]				WS [mm]	靜態荷重能力 max. [kN]	 [g]	品號
			$l_2$	$h_1$ ~	$h_2$	t				
襯墊和軸承 鋼 – 相片 1, 熱處理鋼										
M 6	-	22,5	-	16,5	6,4	5,0	10	10	19,0	<a href="#">22590.1006</a>
M 8	-	28,0	-	20,6	8,3	7,0	13	18	40,0	<a href="#">22590.1008</a>
M10	-	36,0	-	26,0	11,0	9,0	17	20	80,0	<a href="#">22590.1010</a>
M12	-	45,0	-	30,5	13,2	11,0	19	35	126,0	<a href="#">22590.1012</a>
M16	-	56,0	-	37,5	15,5	13,5	24	45	241,0	<a href="#">22590.1016</a>
M20	-	67,0	-	49,5	19,5	17,0	30	55	480,0	<a href="#">22590.1020</a>
M24	-	69,0	-	55,0	24,0	19,0	36	65	554,0	<a href="#">22590.1024</a>

d <sub>1</sub>	l <sub>1</sub>	d <sub>2</sub>	尺寸				WS	靜態荷重能力 max.		品號
			l <sub>2</sub>	h <sub>1</sub> ~	h <sub>2</sub>	t				
			[mm]				[mm]	[kN]	[g]	
<b>襯墊和軸承 鋼 – 相片 1, 不銹鋼</b>										
M 6	–	22,5	–	16,5	6,4	5,0	10	8	17,0	22590.1206
M 8	–	28,0	–	20,6	8,3	7,0	13	14	36,0	22590.1208
M10	–	36,0	–	26,0	11,0	9,0	17	16	74,0	22590.1210
M12	–	45,0	–	30,5	13,2	11,0	19	28	123,0	22590.1212
M16	–	56,0	–	37,5	15,5	13,5	24	36	241,0	22590.1216
M20	–	67,0	–	49,5	19,5	17,0	30	44	500,0	22590.1220
M24	–	69,0	–	55,0	24,0	19,0	36	52	517,0	22590.1224
<b>襯墊 得林塑膠, 軸承 不銹鋼 – 相片 1, 熱塑性的</b>										
M 6	–	22,5	–	16,5	6,4	5,0	10	4	7,8	22590.1106
M 8	–	28,0	–	20,6	8,3	7,0	13	7	17,0	22590.1108
M10	–	36,0	–	26,0	11,0	9,0	17	10	34,0	22590.1110
M12	–	45,0	–	30,5	13,2	11,0	19	18	57,0	22590.1112
M16	–	56,0	–	37,5	15,5	13,5	24	20	96,0	22590.1116
M20	–	67,0	–	49,5	19,5	17,0	30	22	190,0	22590.1120
M24	–	69,0	–	55,0	24,0	19,0	36	25	240,0	22590.1124
<b>襯墊和軸承 含螺栓 鋼 – 相片 2, 熱處理鋼</b>										
M 6	60	22,5	57,0	16,5	6,4	–	10	10	32,0	22590.1410
M 8	80	28,0	76,0	20,6	8,3	–	13	18	69,0	22590.1422
M10	100	36,0	95,5	26,0	11,0	–	17	20	139,0	22590.1438
M10	150	36,0	145,5	26,0	11,0	–	17	20	165,0	22590.1442
M12	100	45,0	94,5	30,5	13,2	–	19	35	252,0	22590.1452
M12	150	45,0	144,5	30,5	13,2	–	19	35	258,0	22590.1456
M16	100	56,0	94,0	37,5	15,5	–	24	45	440,0	22590.1468
M16	200	56,0	194,0	37,5	15,5	–	24	45	600,0	22590.1472
M20	100	67,0	92,5	49,5	19,5	–	30	55	762,0	22590.1482
M20	200	67,0	192,5	49,5	19,5	–	30	55	1080,0	22590.1488
M24	100	69,0	91,0	55,0	24,0	–	36	65	1020,0	22590.1495
M24	200	69,0	191,0	55,0	24,0	–	36	65	1287,0	22590.1498
<b>襯墊和軸承 含螺栓 鋼 – 相片 2, 不銹鋼</b>										
M 6	60	22,5	57,0	16,5	6,4	–	10	8	30,0	22590.1610
M 8	80	28,0	76,0	20,6	8,3	–	13	14	71,0	22590.1622
M10	100	36,0	95,5	26,0	11,0	–	17	16	150,0	22590.1638
M10	150	36,0	145,5	26,0	11,0	–	17	16	169,0	22590.1642
M12	100	45,0	94,5	30,5	13,2	–	19	28	227,0	22590.1652
M12	150	45,0	144,5	30,5	13,2	–	19	28	258,0	22590.1656
M16	100	56,0	94,0	37,5	15,5	–	24	36	441,0	22590.1668
M16	200	56,0	194,0	37,5	15,5	–	24	36	630,0	22590.1672
M20	100	67,0	92,5	49,5	19,5	–	30	44	762,0	22590.1682
M20	200	67,0	192,5	49,5	19,5	–	30	44	1065,0	22590.1688
M24	100	69,0	91,0	55,0	24,0	–	36	52	1000,0	22590.1695
M24	200	69,0	191,0	55,0	24,0	–	36	52	1287,0	22590.1698
<b>襯墊 得林塑膠, 軸承 含螺栓 不銹鋼 – 相片 2, 熱塑性的</b>										
M 6	60	22,5	57,0	16,5	6,4	–	10	4	21,0	22590.1510
M 8	80	28,0	76,0	20,6	8,3	–	13	7	49,0	22590.1522
M10	100	36,0	95,5	26,0	11,0	–	17	10	100,0	22590.1538
M10	150	36,0	145,5	26,0	11,0	–	17	10	124,0	22590.1542
M12	100	45,0	94,5	30,5	13,2	–	19	18	150,0	22590.1552
M12	150	45,0	144,5	30,5	13,2	–	19	18	184,0	22590.1556
M16	100	56,0	94,0	37,5	15,5	–	24	20	285,0	22590.1568
M16	200	56,0	194,0	37,5	15,5	–	24	20	414,0	22590.1572
M20	100	67,0	92,5	49,5	19,5	–	30	22	573,0	22590.1582
M20	200	67,0	192,5	49,5	19,5	–	30	22	704,0	22590.1588
M24	100	69,0	91,0	55,0	24,0	–	36	25	718,0	22590.1595
M24	200	69,0	191,0	55,0	24,0	–	36	25	1016,0	22590.1598

## 遵守

### 符合 RoHS

符合指令 2011/65/EU 和指令 2015/863

### 不含 SVHC 物質

不含超過 0.1% w/w 的 SVHC 物質 - 截至 2024 年 6 月 27 日的 SVHC 清單。

### 不含 65 號提案物質

不包括 65 號提案物質

<https://www.P65Warnings.ca.gov/>

### 不含衝突礦物

本產品不含來自剛果民主共和國或鄰近國家的任何被指定為“衝突礦物”的物質，例如鈹、錫、金或鎳。