

水平腳座 EH 22590.



產品描述

用來當作推力腳墊或腳座。

材質

滾珠軸承

- 鋼, 熱處理, 染黑
- 不鏽鋼 1.4305

有桿滾珠軸承

- 鋼, 熱處理, 染黑
- 不鏽鋼 1.4305

固定螺帽

- 鋼, 染黑, ISO 4032
- 鋼, 染黑, DIN 934
- 不鏽鋼 A2, ISO 4032
- 不鏽鋼 A2, DIN 934

腳座

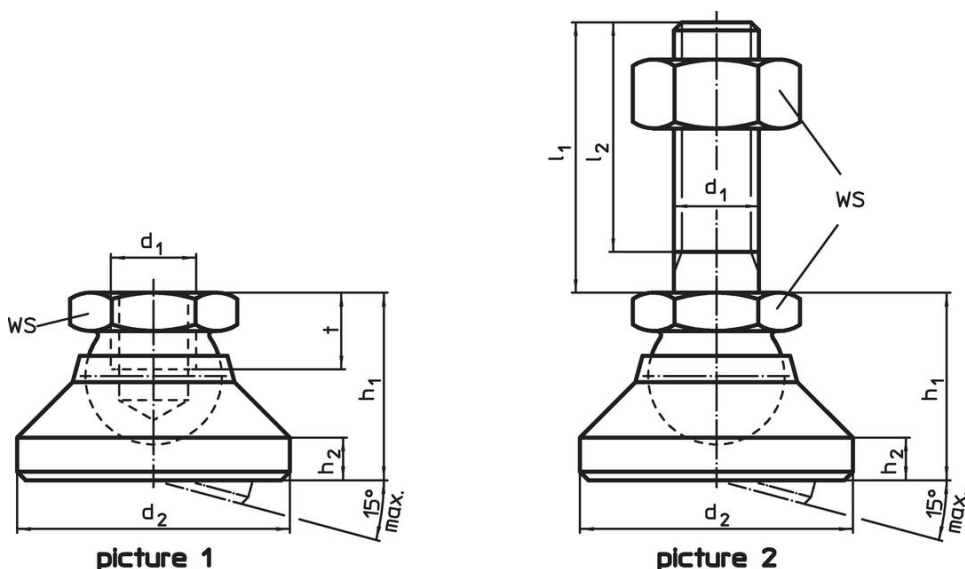
- 熱處理鋼, 染黑
- 不鏽鋼 1.4305
- 得林白塑膠 (POM)

更多資訊

注意事項

對於版本 $d_1 = M10$ 和 $M12$, 鎖緊螺母符合 DIN 934 標準。

圖面

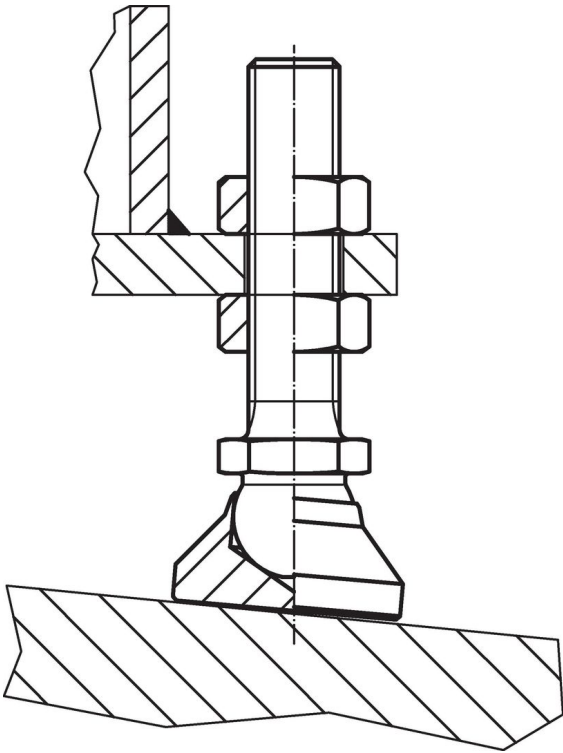


訂單資訊

d ₁	l ₁	d ₂	尺寸				WS	靜態荷重能力 max.	溫度		重量 [g]	品號			
			l ₂	h ₁	h ₂	t			min	max.					
[mm]													[kN]	[°C]	[g]
襯墊和軸承鋼 - 相片 1, 熱處理鋼															
M 6	-	20	-	14	2,5	5,0	10	10	-	250	15,0	22590.0006			
M 8	-	25	-	18	4,0	7,0	13	18	-	250	33,0	22590.0008			
M10	-	32	-	22	5,0	9,0	17	20	-	250	67,0	22590.0010			
M12	-	40	-	26	6,0	11,0	19	35	-	250	112,0	22590.0012			
M16	-	50	-	32	7,0	13,5	24	45	-	250	254,0	22590.0016			
M20	-	60	-	42	8,0	17,0	30	55	-	250	451,0	22590.0020			
M24	-	60	-	45	9,5	19,0	36	65	-	250	498,0	22590.0024			
襯墊和軸承鋼 - 相片 1, 不銹鋼															
M 6	-	20	-	14	2,5	5,0	10	8	-	250	15,0	22590.0206			
M 8	-	25	-	18	4,0	7,0	13	14	-	250	33,0	22590.0208			
M10	-	32	-	22	5,0	9,0	17	16	-	250	67,0	22590.0210			

d ₁	l ₁	d ₂	尺寸				t	WS [mm]	靜態荷重能力 max. [kN]	溫度		重量 [g]	品號
			l ₂ [mm]	h ₁ ~	h ₂	min [°C]				max.			
M12	-	40	-	26	6,0	11,0	19	28	-	250	113,0	22590.0212	
M16	-	50	-	32	7,0	13,5	24	36	-	250	256,0	22590.0216	
M20	-	60	-	42	8,0	17,0	30	44	-	250	452,0	22590.0220	
M24	-	60	-	45	9,5	19,0	36	52	-	250	504,0	22590.0224	
襯墊 得林塑膠, 軸承 不銹鋼 - 相片 1, 熱塑性的													
M 6	-	20	-	14	2,5	5,0	10	4	-30	80	6,1	22590.0106	
M 8	-	25	-	18	4,0	7,0	13	7	-30	80	13,0	22590.0108	
M10	-	32	-	22	5,0	9,0	17	10	-30	80	26,0	22590.0110	
M12	-	40	-	26	6,0	11,0	19	18	-30	80	40,0	22590.0112	
M16	-	50	-	32	7,0	13,5	24	20	-30	80	75,0	22590.0116	
M20	-	60	-	42	8,0	17,0	30	22	-30	80	150,0	22590.0120	
M24	-	60	-	45	9,5	19,0	36	25	-30	80	184,0	22590.0124	
襯墊 和軸承 含螺栓 鋼 - 相片 2, 熱處理鋼													
M 6	60	20	57,0	14	2,5	-	10	10	-	250	29,0	22590.0410	
M 8	80	25	76,0	18	4,0	-	13	18	-	250	66,0	22590.0422	
M10	100	32	95,5	22	5,0	-	17	20	-	250	133,0	22590.0438	
M10	150	32	145,5	22	5,0	-	17	20	-	250	156,0	22590.0442	
M12	100	40	94,5	26	6,0	-	19	35	-	250	237,0	22590.0452	
M12	150	40	144,5	26	6,0	-	19	35	-	250	283,0	22590.0456	
M16	100	50	94,0	32	7,0	-	24	45	-	250	460,0	22590.0468	
M16	200	50	194,0	32	7,0	-	24	45	-	250	608,0	22590.0472	
M20	100	60	92,5	42	8,0	-	30	55	-	250	781,0	22590.0482	
M20	200	60	192,5	42	8,0	-	30	55	-	250	1015,0	22590.0488	
M24	100	60	91,0	45	9,5	-	36	65	-	250	994,0	22590.0495	
M24	200	60	191,0	45	9,5	-	36	65	-	250	1320,0	22590.0498	
襯墊 和軸承 含螺栓 鋼 - 相片 2, 不銹鋼													
M 6	60	20	57,0	14	2,5	-	10	8	-	250	29,0	22590.0610	
M 8	80	25	76,0	18	4,0	-	13	14	-	250	66,0	22590.0622	
M10	100	32	95,5	22	5,0	-	17	16	-	250	134,0	22590.0638	
M10	150	32	145,5	22	5,0	-	17	16	-	250	158,0	22590.0642	
M12	100	40	94,5	26	6,0	-	19	28	-	250	212,0	22590.0652	
M12	150	40	144,5	26	6,0	-	19	28	-	250	248,0	22590.0656	
M16	100	50	94,0	32	7,0	-	24	36	-	250	412,0	22590.0668	
M16	200	50	194,0	32	7,0	-	24	36	-	250	624,0	22590.0672	
M20	100	60	92,5	42	8,0	-	30	44	-	250	790,0	22590.0682	
M20	200	60	192,5	42	8,0	-	30	44	-	250	1031,0	22590.0688	
M24	100	60	91,0	45	9,5	-	36	52	-	250	1001,0	22590.0695	
M24	200	60	191,0	45	9,5	-	36	52	-	250	1323,0	22590.0698	
襯墊 得林塑膠, 軸承 含螺栓 不銹鋼 - 相片 2, 熱塑性的													
M 6	60	20	57,0	14	2,5	-	10	4	-30	80	20,0	22590.0510	
M 8	80	25	76,0	18	4,0	-	13	7	-30	80	46,0	22590.0522	
M10	100	32	95,5	22	5,0	-	17	10	-30	80	93,0	22590.0538	
M10	150	32	145,5	22	5,0	-	17	10	-30	80	117,0	22590.0542	
M12	100	40	94,5	26	6,0	-	19	18	-30	80	139,0	22590.0552	
M12	150	40	144,5	26	6,0	-	19	18	-30	80	175,0	22590.0556	
M16	100	50	94,0	32	7,0	-	24	20	-30	80	300,0	22590.0568	
M16	200	50	194,0	32	7,0	-	24	20	-30	80	399,0	22590.0572	
M20	100	60	92,5	42	8,0	-	30	22	-30	80	523,0	22590.0582	
M20	200	60	192,5	42	8,0	-	30	22	-30	80	759,0	22590.0588	
M24	100	60	91,0	45	9,5	-	36	25	-30	80	735,0	22590.0595	
M24	200	60	191,0	45	9,5	-	36	25	-30	80	1041,0	22590.0598	

應用範例



遵守

符合 RoHS

符合指令 2011/65/EU 和指令 2015/863

不含 SVHC 物質

不含超過 0.1% w/w 的 SVHC 物質 - 截至 2024 年 6 月 27 日的 SVHC 清單。

不含 65 號提案物質

不包括 65 號提案物質

<https://www.P65Warnings.ca.gov/>

不含衝突礦物

本產品不含來自剛果民主共和國或鄰近國家的任何被指定為“衝突礦物”的物質，例如鈿、錫、金或鎢。