

中心夾持心軸 · 圓柱形止位塊

23340.0616



產品描述

The centering clamping mandrels, cylindrical are ideal for use in fixture construction. They enable workpieces to be clamped with a hole on their inside diameter and therefore without interfering clamping edges. The centering clamping mandrels can be mounted on grid and fixture plates, for example, by pressing them into bores or screwing them into threads.

They enable exact positioning, offer precise repeat accuracy and achieve high holding forces when clamping parts with holes. The centering clamping mandrels offer the possibility of fixing complex workpieces without external clamping elements to enable these components to be machined on 5 sides.

The centering clamping mandrels, cylindrical have the following characteristics:

- Clamping stroke max. 0.7 mm
- Two versions - for press-in or screw-in
- Made of stainless steel or free-cutting steel
- Clamping body can be machined very easily (for adaptation to bore diameter)

材質

- 本體
- 不鏽鋼
- 夾持螺絲
- 不鏽鋼

組裝

The centering clamping mandrel can be adjusted to the respective diameter by turning or milling.

Picture 1 - Mounting in bore hole or socket.

Thread for clamping screw required.

Picture 2 – Mounting in thread.

Clamping screw for the mounting.

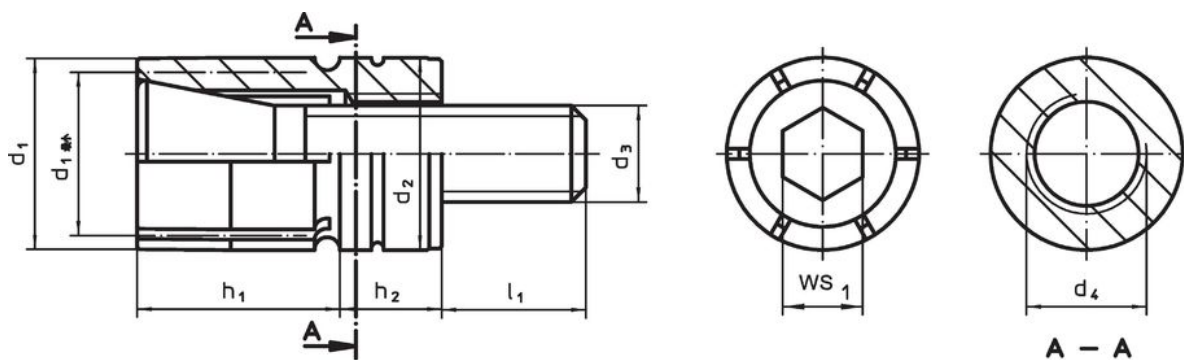
Remove from body.

Screw-in centering clamping elements and tighten using the wrench size (WS₂).

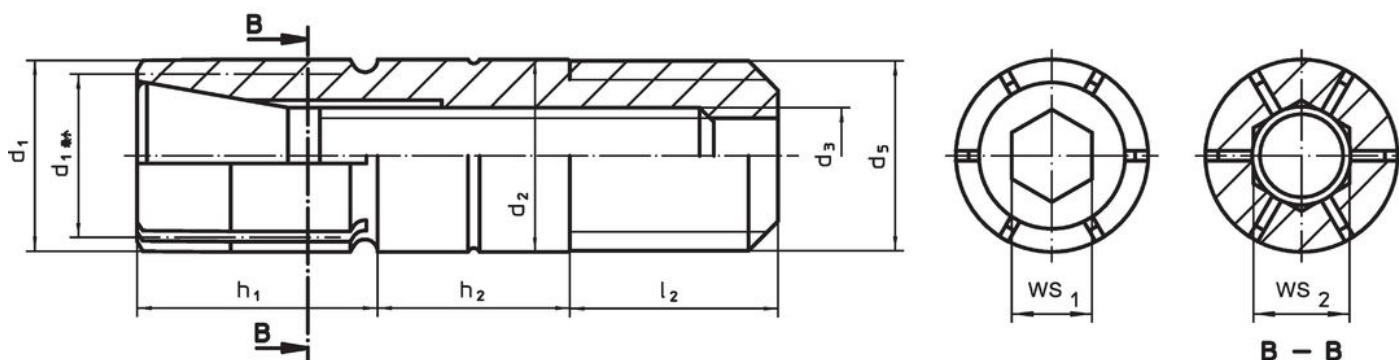
操作

It is operated using the conical clamping screw (WS1). This expands the body by up to 0.7 mm.

圖面



圖片 1

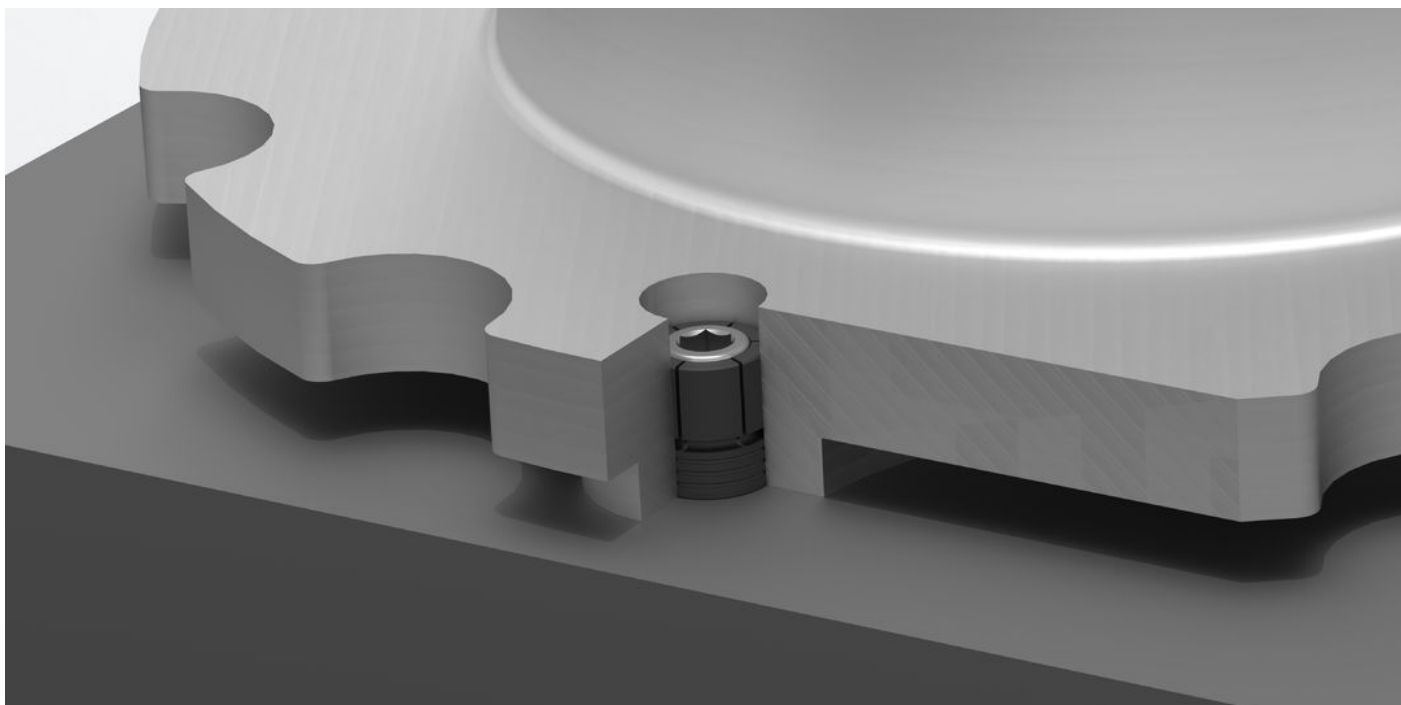


圖片 2

訂單資訊

d ₁	d ₁ min	d ₂ -0,025	d ₃	尺寸			WS		部門數	夾持力量 max. [kN]	起動扭力 max. [Nm]	重量 [g]	品號	
				d ₅ [mm]	h ₁	h ₂	l ₂	WS ₁ [mm]						WS ₂ [mm]
screwable – 相片 2, 不鏽鋼														
16	12	16	M8	M16 x 2	16	16	13	6	8	6	11,1	34	61	23340.0616

應用範例



遵守

符合 RoHS

符合指令 2011/65/EU 和指令 2015/863

不含 SVHC 物質

不含超過 0.1% w/w 的 SVHC 物質 - 截至 2024 年 1 月 23 日的 SVHC 清單。

不含 65 號提案物質

不包括 65 號提案物質

<https://www.P65Warnings.ca.gov/>

不含衝突礦物

本產品不含來自剛果民主共和國或鄰近國家的任何被指定為“衝突礦物”的物質，例如鈮、錫、金或鎢。