

Pitbull® 夾具  
23290.0310



產品描述

Pitbull®型固夾元件，適用於低高度固定，具有高度固夾力及低夾持效應，而O形環的功用是在鬆開時負責將固夾元件頂舉。

The knife edge version (picture 1) is especially suited for blanks.

The blunt edged version (picture 2) allows you to cover nearly all types of application. The version made of brass provides for clamping that is gentle, yet secure.

The Pitbull® Clamp with machinable edge (picture 3) has been designed with a machining add-on that allows for a contour to be milled into the workpiece. This version from hardened steel combines good machinability with excellent wear resistance.

The Pitbull® Clamps are distinguished by the following characteristics:

- space-saving design
- extra low construction height
- high clamping / tensioning force with pull-down effect
- ideal for multi-side machining and multiple clamping systems

材質

Clamp

- 鋼，煉製

螺絲

- 熱處理鋼，熱處理

不銹鋼本體，塑膠螺絲

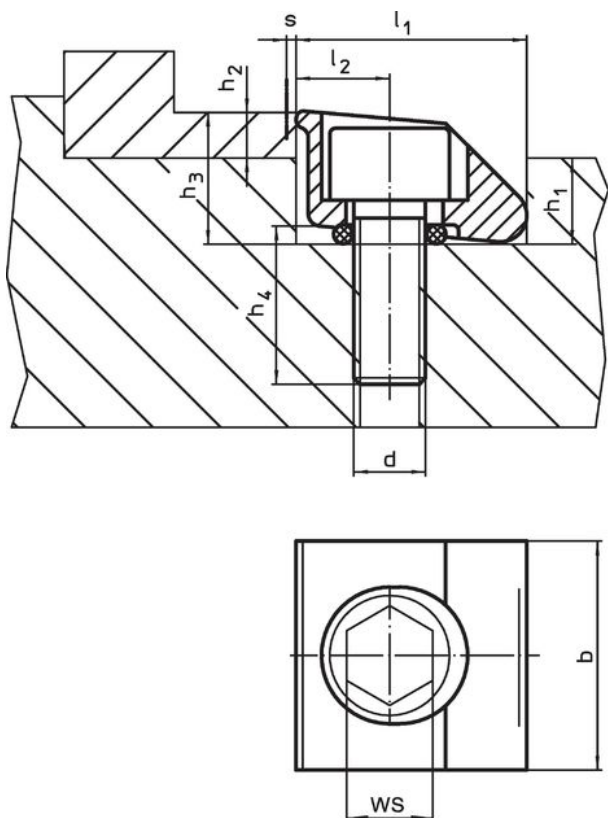
- NBR

更多資訊

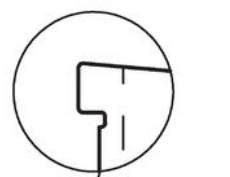
注意事項

The o-ring is used to lift the clamp off when it is released.

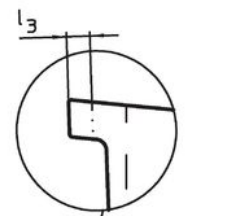
圖面



圖片 1



圖片 2

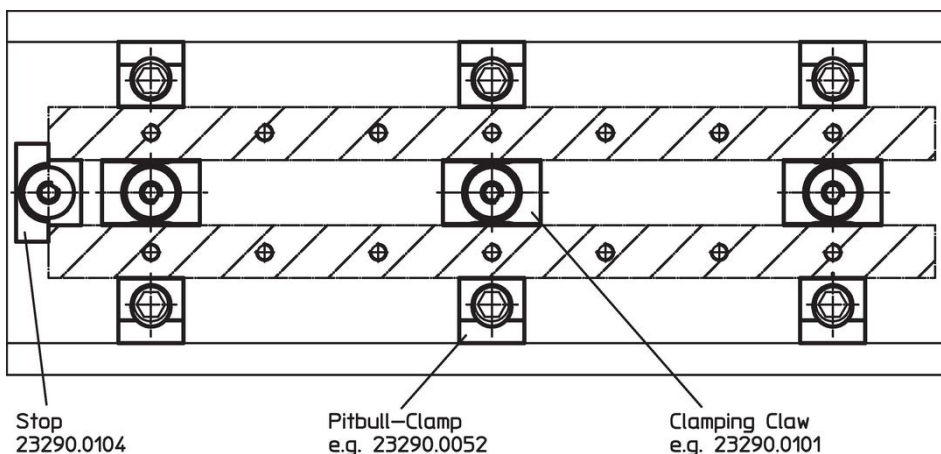
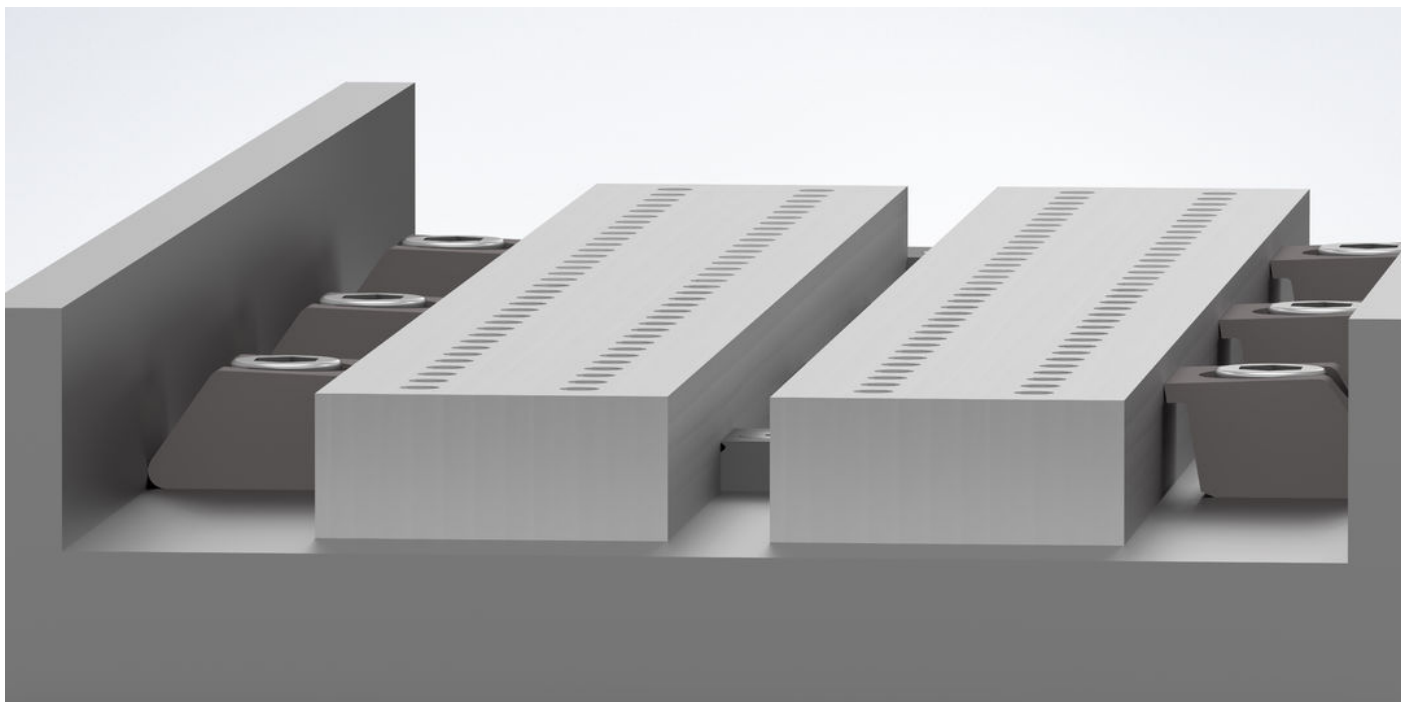


圖片 3

訂單資訊

尺寸										夾持方法 s	WS [mm]	夾持力量 max. [kN]	起動扭力 max. [Nm]	溫度		重量 [g]	品號
d	b	l <sub>1</sub> H9	l <sub>2</sub>	l <sub>3</sub>	h <sub>1</sub>	h <sub>2</sub> min	h <sub>3</sub> ~	h <sub>4</sub> ~	min					max.			
[mm]										[mm]	[kN]	[Nm]	[°C]		[g]		
with machined edge; for form-fitting clamping – 相片 3, 鋼, 煉製																	
M10	25,4	26,9	10,16	1,5	11,4	6,3	17,8	17	1,2	8	15	40	-30	80	71	23290.0310	

應用範例



遵守

符合 RoHS

符合指令 2011/65/EU 和指令 2015/863

不含 SVHC 物質

不含超過 0.1% w/w 的 SVHC 物質 - 截至 2024 年 6 月 27 日的 SVHC 清單。

不含 65 號提案物質

不包括 65 號提案物質

<https://www.P65Warnings.ca.gov/>

不含衝突礦物

本產品不含來自剛果民主共和國或鄰近國家的任何被指定為“衝突礦物”的物質，例如鈮、錫、金或鎢。