

偏心夾持夾具 · with slot tenon

23270.0418



產品描述

The eccentric clamping clamps can be used for quick and easy workpiece clamping directly on the machine table or a base plate with T-slots.

These eccentric clamping clamps with slot tenon are locked in a T-slot, for example on the machine table, with a thrust screw. Clamping takes place via the clamping screw with eccentric head. The brass basic element ensures gentle and secure clamping.

The eccentric clamping clamps with slot tenon have the following characteristics:

- Brass base element for material-friendly clamping
- Quick clamping thanks to clamping screw with eccentric head
- High clamping force is achieved
- Low design enables the machining of flat workpieces
- The compact dimensions enable space-saving multiple clamping

材質

偏心螺絲

- 鋼

平頭螺釘

- 鋼，染黑

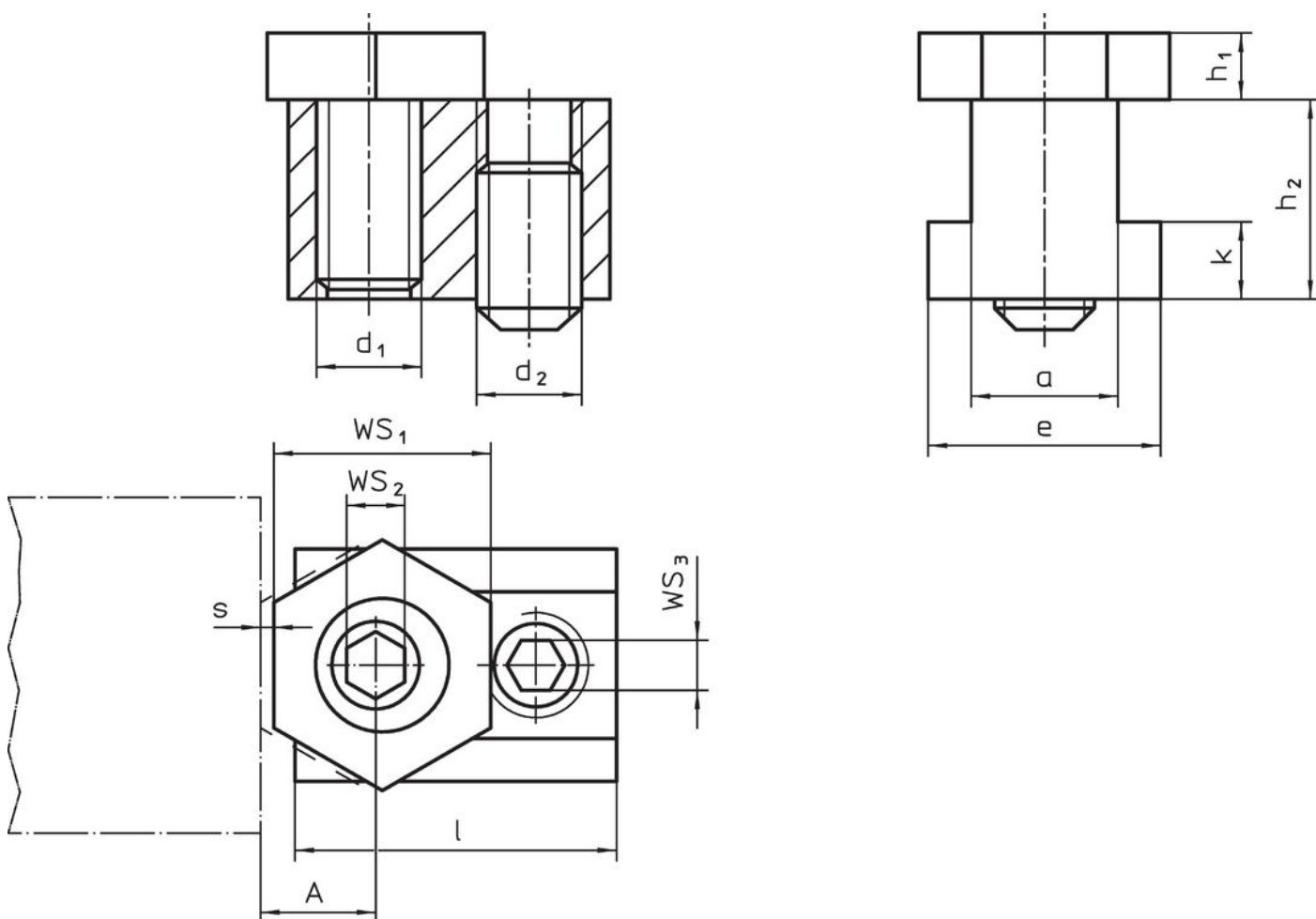
本體

- 黃銅

Slot tenon

- 鋼，硬化，染黑

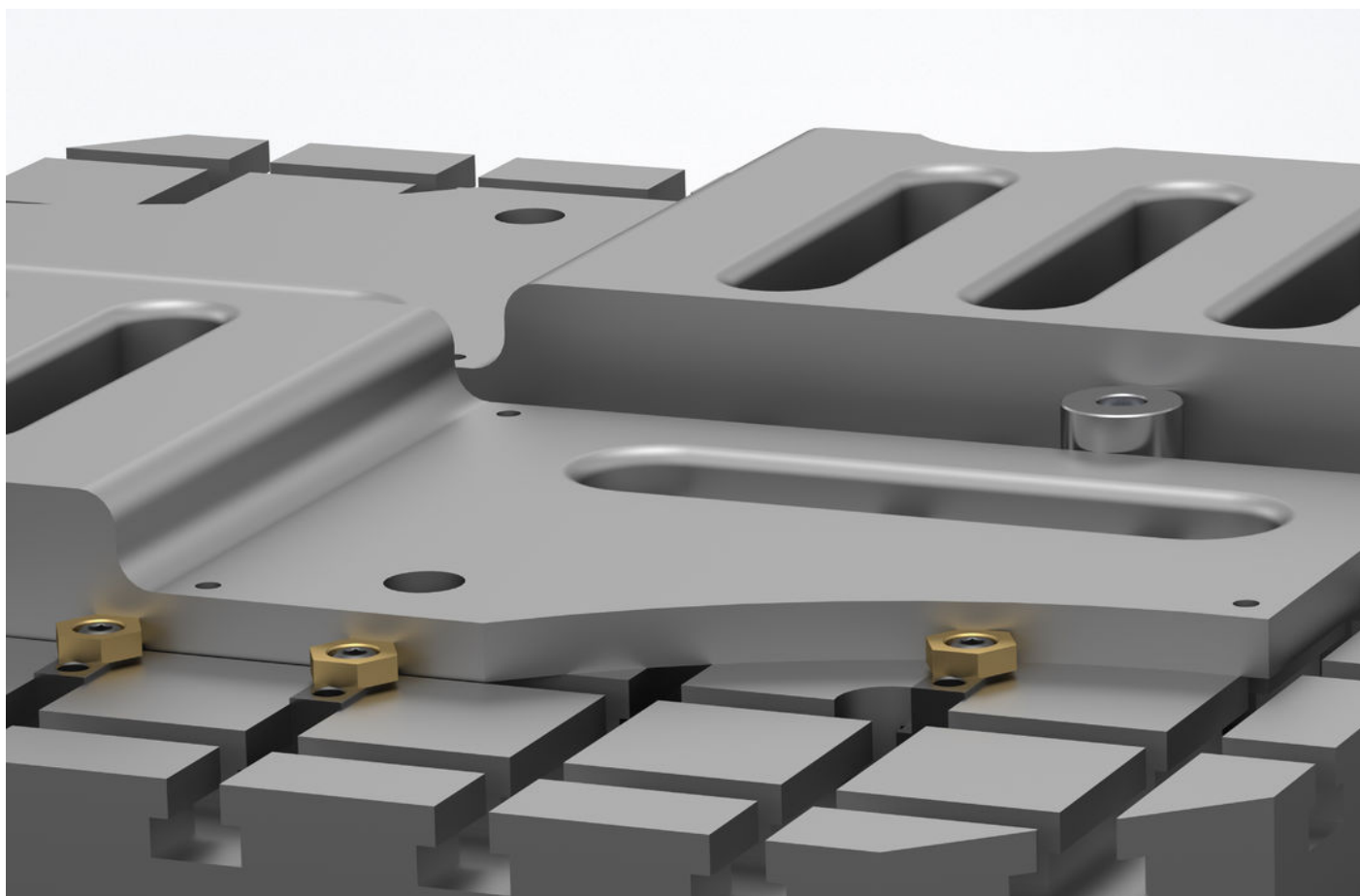
圖面



訂單資訊

T槽 尺寸	d ₁	a	e	尺寸					A	WS ₁	WS		夾持力量 max.	起動扭力 WS ₂ max.	起動扭力 WS ₃ max.	📦	品號
				h ₁	h ₂	k	s	l			WS ₂	WS ₃					
[mm]				[mm]					[mm]		[mm]		[kN]	[Nm]	[Nm]	[g]	
18	M12	17,7	28,5	9,5	28,5	10,5	2,5	34,7	12,7	25,4	8	6	9	75	55	190	23270.0418

應用範例



遵守

符合指令 2011/65/EU 和指令 2015/863

不含超過 0.1% w/w 的 SVHC 物質 - 截至 2024 年 1 月 23 日的 SVHC 清單。

不包括 65 號提案物質

<https://www.P65Warnings.ca.gov/>