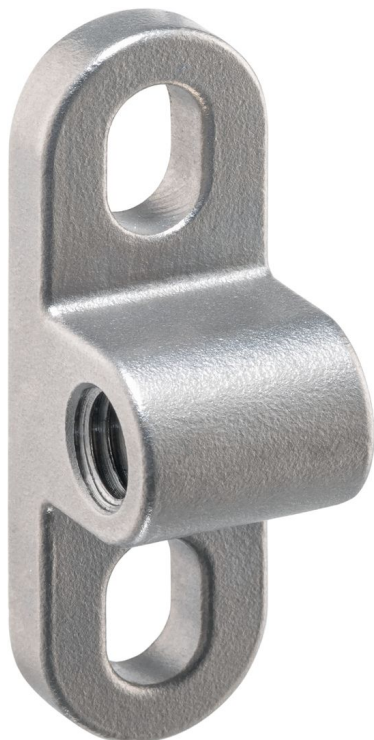


托座 · 用於定位柱

22045.0006



產品描述

Holders are used to mount spring plungers on the side. Ball-ended thrust screws, thrust screws, grub screws or similar can also be screwed into the thread. The mounting thread is positioned 90° to the mounting direction in the holder. The slotted holes allow precise positioning of the holder during installation.

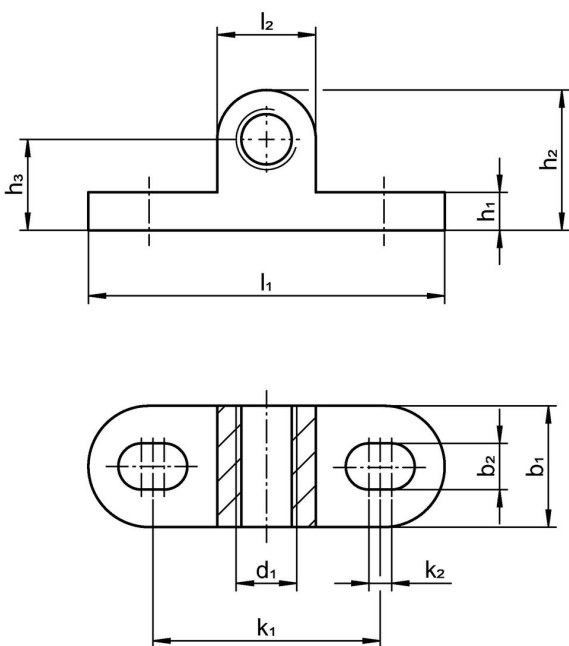
材質

- 不銹鋼 1.4308, 精密鑄造, 亞光噴砂

組裝

Slotted holes are provided for mounting the holder. This allows it to be positioned precisely in the longitudinal direction. The mounting thread, e.g. for a spring plungers, is continuous. This means that a lock nut can be used to secure it after adjustment.

圖面



訂單資訊

尺寸										螺絲用	重量	品號
d ₁	b ₁	b ₂	h ₁	h ₂	h ₃	k ₁	k ₂	l ₁	l ₂	[mm]	[g]	
M6	12	5	4	15	10	24	2,5	38	10	M5	15	22045.0006

雙面

遵守

符合 RoHS

符合指令 2011/65/EU 和指令 2015/863

不含 SVHC 物質

不含超過 0.1% w/w 的 SVHC 物質 - 截至 2024 年 1 月 23 日的 SVHC 清單。

不含 65 號提案物質

不包括 65 號提案物質

<https://www.P65Warnings.ca.gov/>

不含衝突礦物

本產品不含來自剛果民主共和國或鄰近國家的任何被指定為“衝突礦物”的物質，例如鈿、錫、金或鎳。