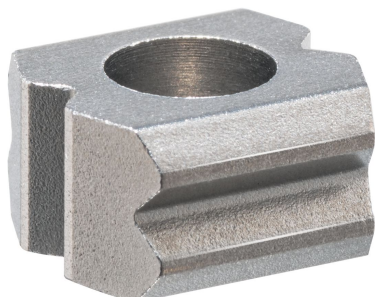


Locators • with bore hole, for spring plungers

22020.0140



產品描述

Locators can be used as a counterpart for all spring plungers with ball. They enable the locking, latching and positioning of the respective workpiece.

These locators with bore hole have 90° notches on all four side surfaces (2x horizontal and 2x vertical to the mounting direction). Thanks to the hardened material, the locators are low-wear and particularly suitable for applications with many repeat cycles.

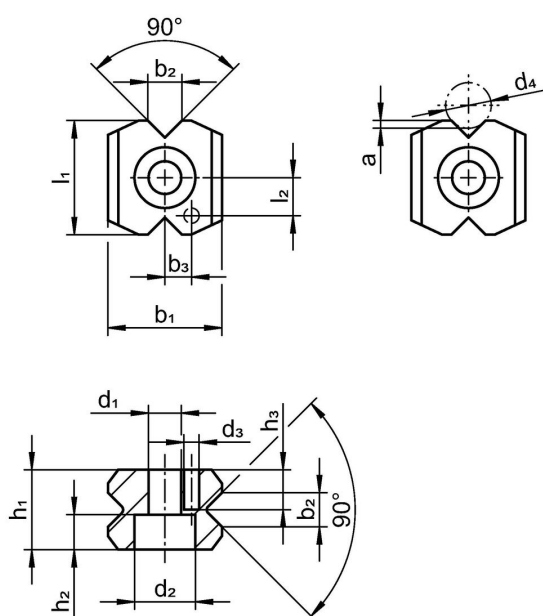
材質

- 燒結鋼，表面硬化

組裝

We recommend spring plungers with reinforced or heavy spring load. Please consider the insertion depth of the ball (dimension a) into the locator during installation.

圖面



訂單資訊

尺寸													適合於螺栓 DIN 912		品號
b ₂ ±0,1	d ₁	d ₂	d ₃ H12	d ₄	a	b ₁	b ₃ ±0,05	h ₁	h ₂	l ₁	l ₂ ±0,05	[mm]			
4,5	4,3	8	2	6,0 6,5	1	15	3,5	10,5	4,6	15	5	M4	11	22020.0140	

遵守

符合 RoHS

符合指令 2011/65/EU 和指令 2015/863

不含 SVHC 物質

不含超過 0.1% w/w 的 SVHC 物質 - 截至 2024 年 6 月 27 日的 SVHC 清單。

不含 65 號提案物質

不包括 65 號提案物質

<https://www.P65Warnings.ca.gov/>

不含衝突礦物

本產品不含來自剛果民主共和國或鄰近國家的任何被指定為“衝突礦物”的物質，例如鈮、錫、金或鎢。