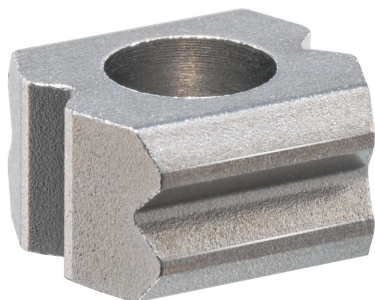


Locators • with bore hole, for spring plungers

22020.0130



產品描述

Locators can be used as a counterpart for all spring plungers with ball. They enable the locking, latching and positioning of the respective workpiece.

These locators with bore hole have 90° notches on all four side surfaces (2x horizontal and 2x vertical to the mounting direction). Thanks to the hardened material, the locators are low-wear and particularly suitable for applications with many repeat cycles.

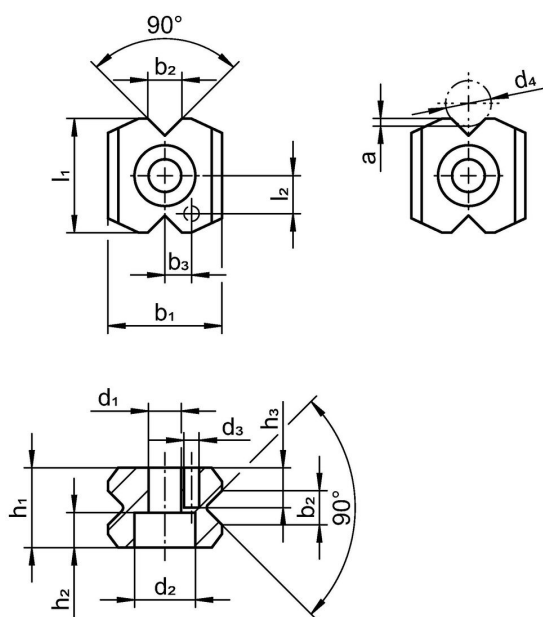
材質

- 燒結鋼，表面硬化


組裝

We recommend spring plungers with reinforced or heavy spring load. Please consider the insertion depth of the ball (dimension a) into the locator during installation.

圖面



訂單資訊

| 尺寸 | | | | | | | | | | | | | 適合於螺栓 DIN 912 |  | 品號 |
|------------------------|----------------|----------------|-----------------------|----------------|-----|----------------|-------------------------|----------------|----------------|----------------|-------------------------|--|------------------|---|------------|
| b ₂ ±0,1 | d ₁ | d ₂ | d ₃ H12 | d ₄ | a | b ₁ | b ₃ ±0,05 | h ₁ | h ₂ | l ₁ | l ₂ ±0,05 | | [mm] | [g] | |
| [mm] | | | | | | | | | | | | | | | |
| 3,4 | 4,3 | 8 | 2 | 4,5 5,0 | 0,7 | 15 | 3,5 | 8,5 | 4,6 | 15 | 5 | | M4 | 10 | 22020.0130 |

遵守

符合 RoHS

符合指令 2011/65/EU 和指令 2015/863

不含 SVHC 物質

不含超過 0.1% w/w 的 SVHC 物質 - 截至 2024 年 1 月 23 日的 SVHC 清單。

不含 65 號提案物質

不包括 65 號提案物質

<https://www.P65Warnings.ca.gov/>

不含衝突礦物

本產品不含來自剛果民主共和國或鄰近國家的任何被指定為“衝突礦物”的物質，例如鈹、錫、金或鎢。