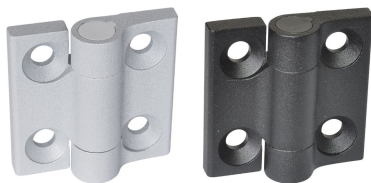


Gångjärn • Zinc die-cast, with indexing positions

EH 25164.



Produktbeskrivning

Hinges from zinc die-cast with indexing positions hold door and covers in fixed positions. It avoids undesired automatic closing or opening. This is an advantage for example when filling machines and facilities or during maintenance and repairs.

The version with the indexing positions -3° and 117° (picture 2) also ensures that the door or cover presses slightly against the housing frame by the -3° when closed.

These hinges from zinc die-cast are characterised by their simple and timeless design.

Material

Kropp

- Zink, gjutet, plastbelagd, silver, liknande RAL 9006, matt yta
- Zink, gjutet, plastbelagd, svart, liknande RAL 9005, matt yta

Axlig

- Rostfritt stål 1.4305

Fjäder

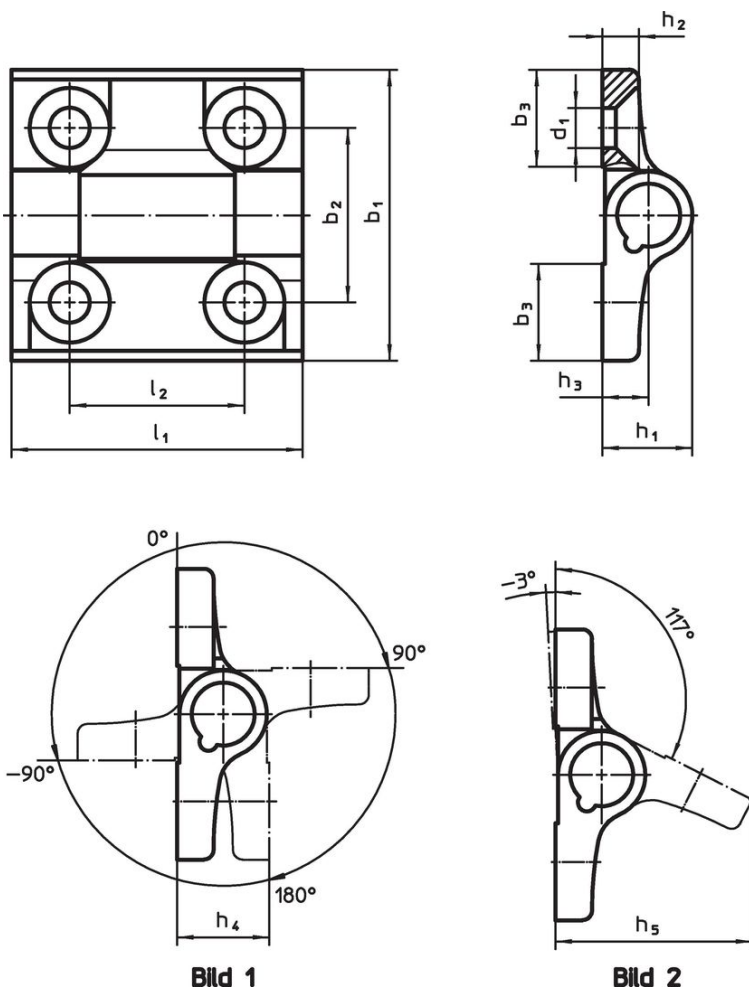
- Fjäderstål

Mer information

Ytterligare produkter

- Distansplattor, till gångjärn
- Gånggade plattor, till gångjärn

Ritning



Orderinformation

Dimension												max. [°C]	[g]	Art.nr.
b ₁	l ₁	b ₂	b ₃	d ₁	h ₁	h ₂	h ₃	h ₄	h ₅	l ₂	[mm]			
indexing positions -90°, 0°, 90° and 180° – Bild 1, Zink gjutet, silver														
60	60	36	20	8,3	18,5	7,5	9,5	19	40,5	36	80	152	25164.0005	
indexing positions -90°, 0°, 90° and 180° – Bild 1, Zink gjutet, svart														
60	60	36	20	8,3	18,5	7,5	9,5	19	40,5	36	80	152	25164.0105	
indexing positions -3° and 117° – Bild 2, Zink gjutet, silver														
60	60	36	20	8,3	18,5	7,5	9,5	19	40,5	36	80	152	25164.0010	
indexing positions -3° and 117° – Bild 2, Zink gjutet, svart														
60	60	36	20	8,3	18,5	7,5	9,5	19	40,5	36	80	152	25164.0110	

Överensstämmelse

For detailed compliance information please select the desired article number.