

Räfflad Mutter • plast

EH 24820.



Produktbeskrivning

Material

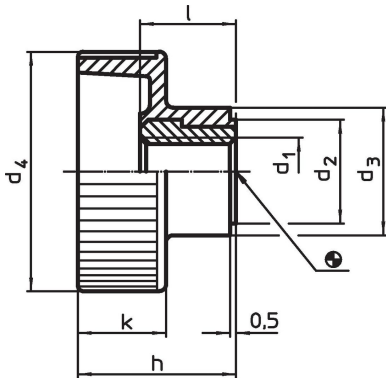
Bussning

- Stål, förzinkat genom galvanisering
- Rostfritt stål 1.4305

Handtag

- Thermoplast (PA), svart

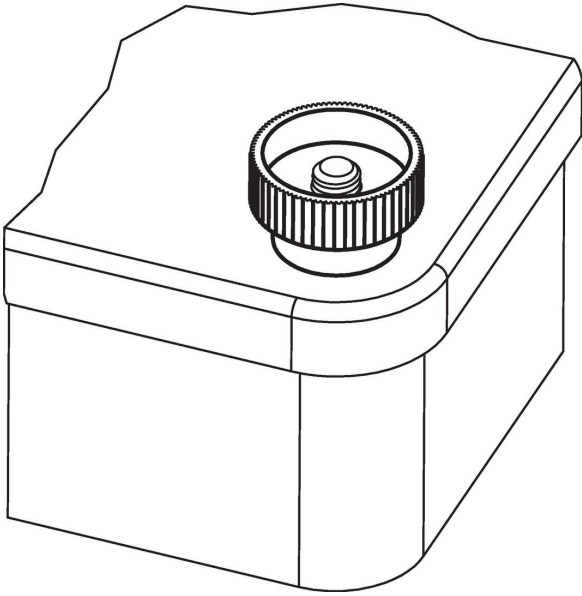
Ritning



Orderinformation

Dimension							🌡️		📦	Art.nr.
d ₁	d ₂	d ₃	d ₄	h	k	l	min.	max.	[g]	
[mm]							[°C]			
stål										
M 4	9	12	19	14,0	8,0	9,0	-30	80	4,5	24820.0004
M 5	9	12	19	14,0	8,0	9,0	-30	80	4,0	24820.0005
M 6	12	14	24	16,5	9,5	10,5	-30	80	7,0	24820.0006
M 8	14	16	30	19,5	11,0	11,5	-30	80	10,0	24820.0008
M10	16	18	36	22,5	12,5	14,0	-30	80	15,0	24820.0010
rostfritt stål										
M 5	9	12	19	14,0	8,0	9,0	-30	80	4,0	24820.0205
M 6	12	14	24	16,5	9,5	10,5	-30	80	7,0	24820.0206
M 8	14	16	30	19,5	11,0	11,5	-30	80	10,0	24820.0208

Användningsexempel



Överensstämmelse

For detailed compliance information please select the desired article number.