

## Räfflad Skruv • DIN 464

EH 24790.



### Produktbeskrivning

Alla räfflade skruvar är tillverkade i ett stycke. I motsats till den officiella standarden är dessa gängade upp till huvudet.

### Material

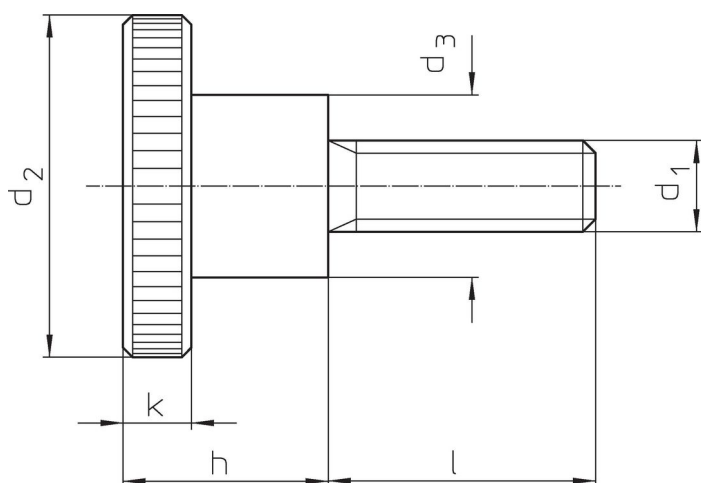
- Stål, svartat, kvalitet 5.8
- Steel, zinc-plated by galvanization, quality 5.8
- Rostfritt stål 1.4305, mattpolerat

### Mer information

#### Not


Räfflad stigning och räfflat djup kan skilja sig från DIN.

### Ritning



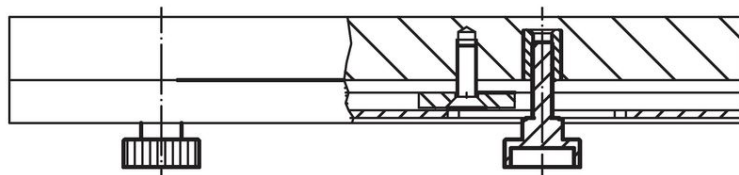
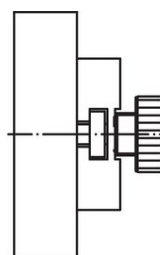
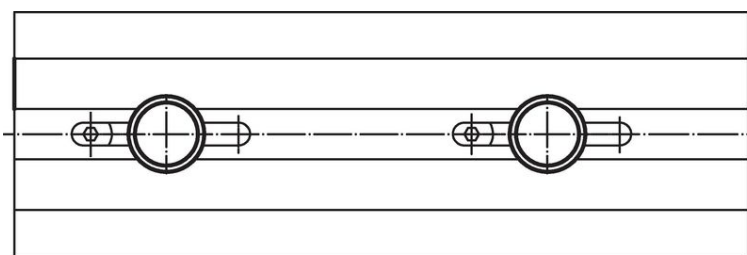
### Orderinformation

d <sub>1</sub>	l	d <sub>2</sub>	Dimension		h	k	[g]	Art.nr.
			d <sub>3</sub>	[mm]				
<b>Stål, svartat, kvalitet 5.8</b>								
M 3	6	12	6		7,5	2,5	3,7	<a href="#">24790.0074</a>
M 3	10	12	6		7,5	2,5	3,8	<a href="#">24790.0076</a>
M 3	12	12	6		7,5	2,5	4,0	<a href="#">24790.0077</a>
M 3	16	12	6		7,5	2,5	4,0	<a href="#">24790.0079</a>
M 3	20	12	6		7,5	2,5	4,5	<a href="#">24790.0081</a>
M 4	5	16	8		9,5	3,5	7,7	<a href="#">24790.0092</a>
M 4	8	16	8		9,5	3,5	8,0	<a href="#">24790.0094</a>
M 4	10	16	8		9,5	3,5	8,1	<a href="#">24790.0095</a>
M 4	12	16	8		9,5	3,5	8,6	<a href="#">24790.0096</a>
M 4	16	16	8		9,5	3,5	8,4	<a href="#">24790.0098</a>
M 4	20	16	8		9,5	3,5	9,1	<a href="#">24790.0100</a>
M 4	25	16	8		9,5	3,5	9,0	<a href="#">24790.0102</a>
M 5	6	20	10		11,5	4,0	14,0	<a href="#">24790.0112</a>
M 5	8	20	10		11,5	4,0	15,0	<a href="#">24790.0113</a>
M 5	10	20	10		11,5	4,0	15,0	<a href="#">24790.0114</a>
M 5	12	20	10		11,5	4,0	15,0	<a href="#">24790.0115</a>
M 5	16	20	10		11,5	4,0	16,0	<a href="#">24790.0117</a>
M 5	20	20	10		11,5	4,0	16,0	<a href="#">24790.0119</a>
M 5	25	20	10		11,5	4,0	17,0	<a href="#">24790.0121</a>
M 5	30	20	10		11,5	4,0	17,0	<a href="#">24790.0123</a>
M 6	8	24	12		15,0	5,0	28,0	<a href="#">24790.0132</a>
M 6	10	24	12		15,0	5,0	27,0	<a href="#">24790.0133</a>

d <sub>1</sub>	l	Dimension			h	k	 [g]	Art.nr.
		d <sub>2</sub>	d <sub>3</sub>	[mm]				
M 6	12	24	12	15,0	5,0	28,0	24790.0134	
M 6	16	24	12	15,0	5,0	28,0	24790.0136	
M 6	20	24	12	15,0	5,0	29,0	24790.0138	
M 6	25	24	12	15,0	5,0	30,0	24790.0140	
M 6	30	24	12	15,0	5,0	31,0	24790.0142	
M 6	35	24	12	15,0	5,0	31,0	24790.0144	
M 8	12	30	16	18,0	6,0	53,0	24790.0152	
M 8	16	30	16	18,0	6,0	55,0	24790.0154	
M 8	20	30	16	18,0	6,0	56,0	24790.0156	
M 8	25	30	16	18,0	6,0	58,0	24790.0158	
M 8	30	30	16	18,0	6,0	60,0	24790.0160	
M 8	35	30	16	18,0	6,0	62,0	24790.0162	
M 8	40	30	16	18,0	6,0	61,0	24790.0164	
M10	15	36	20	23,0	8,0	104,0	24790.0171	
M10	20	36	20	23,0	8,0	106,0	24790.0173	
M10	25	36	20	23,0	8,0	109,0	24790.0175	
M10	30	36	20	23,0	8,0	112,0	24790.0177	
M10	35	36	20	23,0	8,0	116,0	24790.0179	
M10	40	36	20	23,0	8,0	116,0	24790.0181	
<b>Stål, förzinkat genom galvanisering</b>								
M 3	6	12	6	7,5	2,5	4,0	24790.0474	
M 3	8	12	6	7,5	2,5	4,0	24790.0475	
M 3	10	12	6	7,5	2,5	4,0	24790.0476	
M 3	12	12	6	7,5	2,5	4,0	24790.0477	
M 3	16	12	6	7,5	2,5	5,0	24790.0479	
M 3	20	12	6	7,5	2,5	5,0	24790.0481	
M 4	5	16	8	9,5	3,5	9,0	24790.0492	
M 4	8	16	8	9,5	3,5	8,0	24790.0494	
M 4	10	16	8	9,5	3,5	8,0	24790.0495	
M 4	12	16	8	9,5	3,5	8,0	24790.0496	
M 4	16	16	8	9,5	3,5	8,0	24790.0498	
M 4	20	16	8	9,5	3,5	9,0	24790.0500	
M 4	25	16	8	9,5	3,5	9,0	24790.0502	
M 5	6	20	10	11,5	4,0	15,0	24790.0512	
M 5	8	20	10	11,5	4,0	15,0	24790.0513	
M 5	10	20	10	11,5	4,0	15,0	24790.0514	
M 5	12	20	10	11,5	4,0	14,0	24790.0515	
M 5	16	20	10	11,5	4,0	15,0	24790.0517	
M 5	20	20	10	11,5	4,0	16,0	24790.0519	
M 5	25	20	10	11,5	4,0	16,0	24790.0521	
M 5	30	20	10	11,5	4,0	17,0	24790.0523	
M 6	8	24	12	15,0	5,0	27,0	24790.0532	
M 6	10	24	12	15,0	5,0	27,0	24790.0533	
M 6	12	24	12	15,0	5,0	27,0	24790.0534	
M 6	16	24	12	15,0	5,0	28,0	24790.0536	
M 6	20	24	12	15,0	5,0	29,0	24790.0538	
M 6	25	24	12	15,0	5,0	28,0	24790.0540	
M 6	30	24	12	15,0	5,0	30,0	24790.0542	
M 6	35	24	12	15,0	5,0	31,0	24790.0544	
M 8	12	30	16	18,0	6,0	55,0	24790.0552	
M 8	16	30	16	18,0	6,0	55,0	24790.0554	
M 8	20	30	16	18,0	6,0	56,0	24790.0556	
M 8	25	30	16	18,0	6,0	58,0	24790.0558	
M 8	30	30	16	18,0	6,0	50,0	24790.0560	
M 8	35	30	16	18,0	6,0	63,0	24790.0562	
M 8	40	30	16	18,0	6,0	62,0	24790.0564	
M10	12	36	20	23,0	8,0	105,0	24790.0570	
M10	15	36	20	23,0	8,0	106,0	24790.0571	
M10	20	36	20	23,0	8,0	107,0	24790.0573	

d <sub>1</sub>	l	Dimension				h	k	[g]	Art.nr.
		d <sub>2</sub>	d <sub>3</sub>	[mm]					
M10	25	36	20			23,0	8,0	110,0	24790.0575
M10	30	36	20			23,0	8,0	112,0	24790.0577
M10	35	36	20			23,0	8,0	115,0	24790.0579
M10	40	36	20			23,0	8,0	116,0	24790.0581
<b>Rostfritt stål 1.4305</b>									
M 3	6	12	6			7,5	2,5	3,7	24790.0274
M 3	10	12	6			7,5	2,5	3,8	24790.0276
M 3	12	12	6			7,5	2,5	4,0	24790.0277
M 3	16	12	6			7,5	2,5	4,0	24790.0279
M 4	8	16	8			9,5	3,5	8,0	24790.0294
M 4	10	16	8			9,5	3,5	8,1	24790.0295
M 4	12	16	8			9,5	3,5	8,6	24790.0296
M 4	16	16	8			9,5	3,5	8,4	24790.0298
M 4	20	16	8			9,5	3,5	9,1	24790.0300
M 4	25	16	8			9,5	3,5	9,0	24790.0302
M 5	10	20	10			11,5	4,0	15,0	24790.0314
M 5	12	20	10			11,5	4,0	15,0	24790.0315
M 5	16	20	10			11,5	4,0	16,0	24790.0317
M 5	20	20	10			11,5	4,0	16,0	24790.0319
M 5	25	20	10			11,5	4,0	17,0	24790.0321
M 5	30	20	10			11,5	4,0	17,0	24790.0323
M 6	12	24	12			15,0	5,0	28,0	24790.0334
M 6	16	24	12			15,0	5,0	28,0	24790.0336
M 6	20	24	12			15,0	5,0	29,0	24790.0338
M 6	25	24	12			15,0	5,0	30,0	24790.0340
M 6	30	24	12			15,0	5,0	31,0	24790.0342
M 6	35	24	12			15,0	5,0	31,0	24790.0344
M 8	16	30	16			18,0	6,0	55,0	24790.0354
M 8	20	30	16			18,0	6,0	56,0	24790.0356
M 8	25	30	16			18,0	6,0	58,0	24790.0358
M 8	30	30	16			18,0	6,0	60,0	24790.0360
M 8	35	30	16			18,0	6,0	62,0	24790.0362

### Användningsexempel



### Överensstämmelse

For detailed compliance information please select the desired article number.