

## Räfflad Mutter (med krage) • DIN 466

EH 24780.



### Produktbeskrivning

#### Material

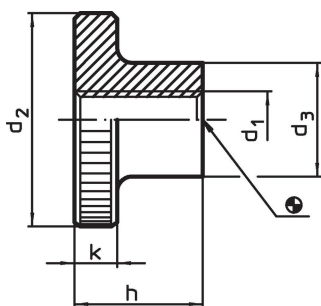
- Stål, svartoxiderat, kvalitet 5
- Steel, zinc-plated by galvanization, quality 5
- Rostfritt stål 1.4301, mattpolerat

#### Mer information

#### Not

Räfflad stigning och räfflat djup kan skilja sig från DIN.

### Ritning

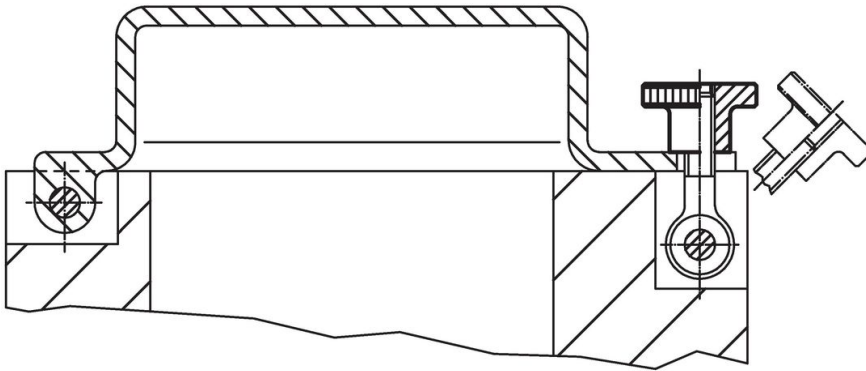


### Orderinformation

d <sub>1</sub>	d <sub>2</sub>	Dimension			k	[g]	Art.nr.
		d <sub>3</sub>	h	[mm]			
<b>Stål, svartoxiderat</b>							
M 3	12	6	7,5	2,5	2,9	24780.0030	
M 4	16	8	9,5	3,5	6,7	24780.0040	
M 5	20	10	11,5	4,0	12,0	24780.0050	
M 6	24	12	15,0	5,0	23,0	24780.0060	
M 8	30	16	18,0	6,0	44,0	24780.0080	
M10	36	20	23,0	8,0	85,0	24780.0100	
M12	40	22	25,0	10,0	119,0	24780.0120 <sup>1)</sup>	
<b>Stål, förzinkat genom galvanisering</b>							
M 3	12	6	7,5	2,5	3,0	24780.0330	
M 4	16	8	9,5	3,5	7,0	24780.0340	
M 5	20	10	11,5	4,0	12,0	24780.0350	
M 6	24	12	15,0	5,0	22,0	24780.0360	
M 8	30	16	18,0	6,0	42,0	24780.0380	
M10	36	20	23,0	8,0	84,0	24780.0400	
M12	40	22	25,0	10,0	119,0	24780.0412 <sup>1)</sup>	
<b>Rostfritt stål 1.4301</b>							
M 4	16	8	9,5	3,5	6,7	24780.0240	
M 5	20	10	11,5	4,0	12,0	24780.0250	
M 6	24	12	15,0	5,0	23,0	24780.0260	
M 8	30	16	18,0	6,0	44,0	24780.0280	
M10	36	20	23,0	8,0	85,0	24780.0300	

<sup>1)</sup> Dimensioner inte tillgängliga i DIN standard.

### Användningsexempel



### Överensstämmelse

For detailed compliance information please select the desired article number.