

## Plan Räfflad Skruv • DIN 653

EH 24770.



### Produktbeskrivning

Alla räfflade skruvar enligt DIN 653 är tillverkade i en enhet med gänga upp till huvudet (DIN-beteckning 'A').

### Material

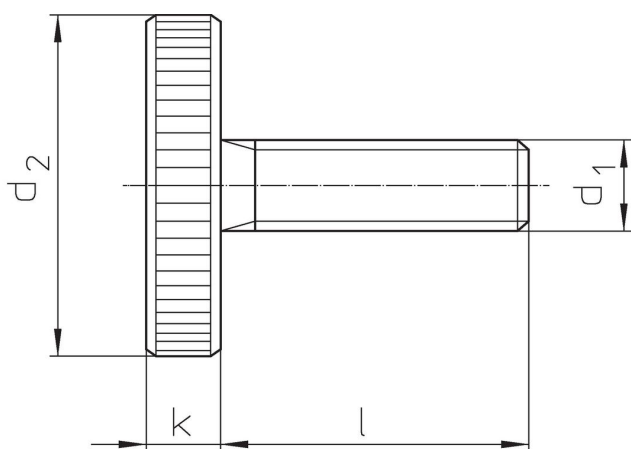
- Stål, svärtat, kvalitet 5.8
- Steel, zinc-plated by galvanization, quality 5.8
- Rostfritt stål 1.4305, mattpolerat

### Mer information

#### Not

Räfflad stigning och räfflat djup kan skilja sig från DIN.

### Ritning



### Orderinformation

d <sub>1</sub>	l	Dimension		k	[g]	Art.nr.
		[mm]				
<b>Stål, svärtat, kvalitet 5.8</b>						
M 3	6		12	2,5	2,3	<a href="#">24770.0072</a>
M 3	8		12	2,5	2,4	<a href="#">24770.0073</a>
M 3	10		12	2,5	2,5	<a href="#">24770.0074</a>
M 3	16		12	2,5	2,7	<a href="#">24770.0077</a>
M 3	20		12	2,5	2,9	<a href="#">24770.0079</a>
M 4	8		16	3,5	5,6	<a href="#">24770.0092</a>
M 4	10		16	3,5	5,7	<a href="#">24770.0093</a>
M 4	12		16	3,5	6,1	<a href="#">24770.0094</a>
M 4	16		16	3,5	6,2	<a href="#">24770.0096</a>
M 4	20		16	3,5	6,6	<a href="#">24770.0098</a>
M 4	25		16	3,5	7,1	<a href="#">24770.0100</a>
M 5	10		20	4,0	10,0	<a href="#">24770.0112</a>
M 5	12		20	4,0	11,0	<a href="#">24770.0113</a>
M 5	16		20	4,0	12,0	<a href="#">24770.0115</a>
M 5	20		20	4,0	12,0	<a href="#">24770.0117</a>
M 5	25		20	4,0	12,0	<a href="#">24770.0119</a>
M 5	30		20	4,0	13,0	<a href="#">24770.0121</a>
M 6	12		24	5,0	18,0	<a href="#">24770.0132</a>
M 6	16		24	5,0	20,0	<a href="#">24770.0134</a>
M 6	20		24	5,0	21,0	<a href="#">24770.0136</a>
M 6	25		24	5,0	21,0	<a href="#">24770.0138</a>
M 6	30		24	5,0	22,0	<a href="#">24770.0140</a>

d <sub>1</sub>	Dimension			k	[g]	Art.nr.
	l	d <sub>2</sub>	[mm]			
M 6	40	24		5,0	23,0	24770.0142
M 8	16	30		6,0	36,0	24770.0152
M 8	20	30		6,0	37,0	24770.0154
M 8	25	30		6,0	39,0	24770.0156
M 8	30	30		6,0	40,0	24770.0158
M 8	35	30		6,0	42,0	24770.0160
M 8	40	30		6,0	44,0	24770.0161
M10	20	36		8,0	71,0	24770.0172
M10	25	36		8,0	72,0	24770.0174
M10	30	36		8,0	76,0	24770.0176
M10	35	36		8,0	78,0	24770.0178
M10	40	36		8,0	80,0	24770.0180
<b>Stål, förzinkat genom galvanisering</b>						
M 3	6	12		2,5	2,0	24770.0472
M 3	8	12		2,5	2,0	24770.0473
M 3	10	12		2,5	3,0	24770.0474
M 3	16	12		2,5	3,0	24770.0477
M 3	20	12		2,5	3,0	24770.0479
M 4	8	16		3,5	6,0	24770.0492
M 4	10	16		3,5	6,0	24770.0493
M 4	12	16		3,5	6,0	24770.0494
M 4	16	16		3,5	7,0	24770.0496
M 4	20	16		3,5	7,0	24770.0498
M 4	25	16		3,5	7,0	24770.0500
M 5	10	20		4,0	10,0	24770.0512
M 5	12	20		4,0	11,0	24770.0513
M 5	16	20		4,0	12,0	24770.0515
M 5	20	20		4,0	12,0	24770.0517
M 5	25	20		4,0	14,0	24770.0519
M 5	30	20		4,0	13,0	24770.0521
M 6	12	24		5,0	19,0	24770.0532
M 6	16	24		5,0	19,0	24770.0534
M 6	20	24		5,0	20,0	24770.0536
M 6	25	24		5,0	20,0	24770.0538
M 6	30	24		5,0	20,0	24770.0540
M 6	40	24		5,0	23,0	24770.0542
M 8	16	30		6,0	35,0	24770.0552
M 8	20	30		6,0	38,0	24770.0554
M 8	25	30		6,0	35,0	24770.0556
M 8	30	30		6,0	35,0	24770.0558
M 8	35	30		6,0	43,0	24770.0560
M 8	40	30		6,0	40,0	24770.0561
M10	20	36		8,0	72,0	24770.0572
M10	25	36		8,0	74,0	24770.0574
M10	30	36		8,0	76,0	24770.0576
M10	35	36		8,0	76,0	24770.0578
M10	40	36		8,0	80,0	24770.0580
<b>Rostfritt stål 1.4305</b>						
M 4	8	16		3,5	5,6	24770.0292
M 4	10	16		3,5	5,7	24770.0293
M 4	12	16		3,5	6,1	24770.0294
M 4	16	16		3,5	6,2	24770.0296
M 5	10	20		4,0	10,0	24770.0312
M 5	12	20		4,0	11,0	24770.0313
M 5	16	20		4,0	12,0	24770.0315
M 5	20	20		4,0	12,0	24770.0317
M 6	12	24		5,0	18,0	24770.0332
M 6	16	24		5,0	20,0	24770.0334
M 6	20	24		5,0	21,0	24770.0336
M 6	25	24		5,0	21,0	24770.0338
M 8	16	30		6,0	36,0	24770.0352
M 8	20	30		6,0	37,0	24770.0354

d <sub>1</sub>	Dimension			[g]	Art.nr.
	l	d <sub>2</sub>	k		
	[mm]				
M 8	25	30	6,0	39,0	<a href="#">24770.0356</a>
M 8	30	30	6,0	40,0	<a href="#">24770.0358</a>
M10	20	36	8,0	71,0	<a href="#">24770.0372</a>
M10	25	36	8,0	72,0	<a href="#">24770.0374</a>
M10	30	36	8,0	76,0	<a href="#">24770.0376</a>
M10	40	36	8,0	80,0	<a href="#">24770.0380</a>

### Överensstämmelse

For detailed compliance information please select the desired article number.