

Plan Räfflad Mutter · DIN 467

EH 24760.



Produktbeskrivning

Knurled nuts are very versatile. Three material versions for the different requirements

- Steel, blackened
- Steel, zinc-plated by galvanization
- Stainless steel

are available.

Knurled nuts can be easily tightened and released by hand. The ribbed outer surface of the nut prevents slipping when tightening / releasing with the fingers. The flat knurled nuts are manufactured according to DIN 467.

Material

- Stål, svartoxiderat, kvalitet 5
- Steel, zinc-plated by galvanization, quality 5
- Rostfritt stål 1.4305, mattpolerat

Mer information

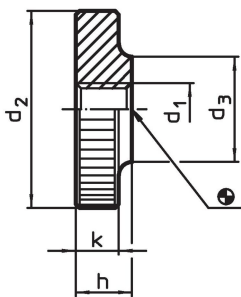
Not

Räfflad stigning och räfflat djup kan skilja sig från DIN.


Ytterligare produkter

- Räfflad Mutter (med krage), DIN 466

Ritning



Orderinformation

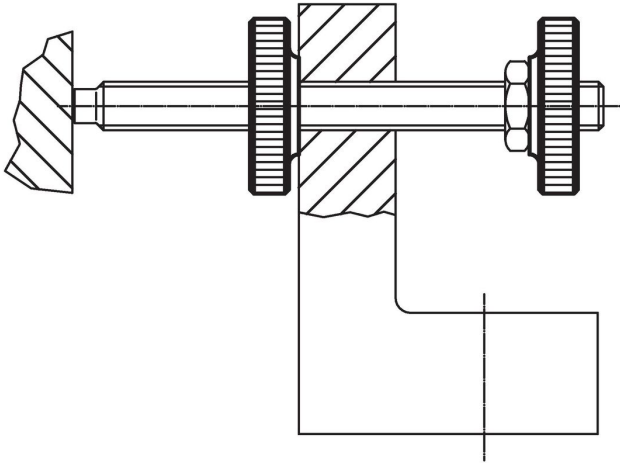
d ₁	d ₂	Dimension d ₃ [mm]	h	k	 [g]	Art.nr.
Stål, svartoxiderat						
M 3	12	6	3	2,5	2,1	24760.0030
M 4	16	8	4	3,5	5,1	24760.0040
M 5	20	10	5	4,0	9,4	24760.0050
M 6	24	12	6	5,0	17,0	24760.0060
M 8	30	16	8	6,0	32,0	24760.0080
M10	36	20	10	8,0	61,0	24760.0100
M12	40	22	12	10,0	92,0	24760.0120¹⁾
Stål, förzinkat genom galvanisering						
M 3	12	6	3	2,5	2,0	24760.0430
M 4	16	8	4	3,5	5,0	24760.0440
M 5	20	10	5	4,0	9,0	24760.0450
M 6	24	12	6	5,0	17,0	24760.0460
M 8	30	16	8	6,0	32,0	24760.0480
M10	36	20	10	8,0	62,0	24760.0500
M12	40	22	12	10,0	92,0	24760.0512¹⁾

¹⁾ Dimensioner inte tillgängliga i DIN standard.

d ₁	d ₂	Dimension			k	[g]	Art.nr.
		d ₃ [mm]	h				
Rostfritt stål 1.4305							
M 3	12	6	3	2,5	2,1	24760.0230	
M 4	16	8	4	3,5	5,1	24760.0240	
M 5	20	10	5	4,0	9,4	24760.0250	
M 6	24	12	6	5,0	17,0	24760.0260	
M 8	30	16	8	6,0	32,0	24760.0280	
M10	36	20	10	8,0	61,0	24760.0300	

¹⁾ Dimensioner inte tillgängliga i DIN standard.

Användningsexempel



Överensstämmelse

For detailed compliance information please select the desired article number.