

## Ställskruv med stjärnvred • plast

EH 24750.



### Produktbeskrivning

#### Material

##### Kåpa

- Thermoplast PA, svart liknande RAL 9005
- Thermoplast (PA), vit liknande RAL 9019
- Thermoplast (PA), orange liknande RAL 2004
- Thermoplast (PA), gul liknande RAL 1016
- Thermoplast (PA), blå liknande RAL 5015

##### Handtag

- Thermoplast (PA 6), svart liknande RAL 9005

##### Skruv

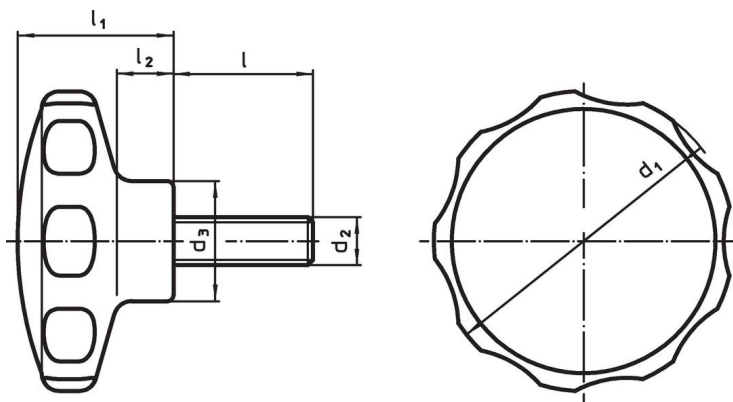
- rostfritt stål

#### Mer information

##### Not

Specialutföranden, t.ex. avvikande gängtyp på förfrågan.

### Ritning

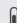

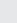


### Orderinformation

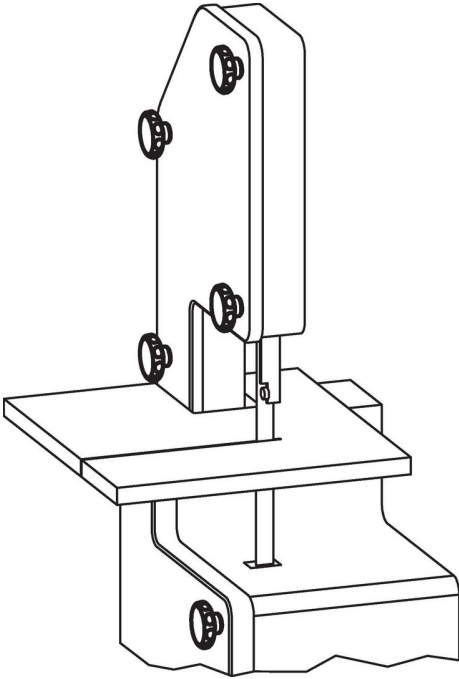
Dimension						Temperatur		Vikt [g]	Art.nr.
d <sub>1</sub>	d <sub>2</sub>	l	d <sub>3</sub>	l <sub>1</sub>	l <sub>2</sub>	min.	max.		
[mm]						[°C]			
svart									
30	M 4	10	14,0	19	7	-30	80	6,1	<a href="#">24750.0100</a>
30	M 4	14	14,0	19	7	-30	80	6,6	<a href="#">24750.0110</a>
30	M 4	18	14,0	19	7	-30	80	6,9	<a href="#">24750.0120</a>
30	M 4	23	14,0	19	7	-30	80	7,3	<a href="#">24750.0130</a>
30	M 4	28	14,0	19	7	-30	80	7,7	<a href="#">24750.0140</a>
30	M 5	10	14,0	19	7	-30	80	7,5	<a href="#">24750.0150</a>
30	M 5	14	14,0	19	7	-30	80	7,9	<a href="#">24750.0160</a>
30	M 5	18	14,0	19	7	-30	80	8,4	<a href="#">24750.0170</a>
30	M 5	23	14,0	19	7	-30	80	9,0	<a href="#">24750.0180</a>
30	M 5	28	14,0	19	7	-30	80	9,0	<a href="#">24750.0190</a>
40	M 5	10	16,5	22	9	-30	80	9,6	<a href="#">24750.0200</a>
40	M 5	14	16,5	22	9	-30	80	10,0	<a href="#">24750.0210</a>
40	M 5	18	16,5	22	9	-30	80	11,0	<a href="#">24750.0220</a>
40	M 5	23	16,5	22	9	-30	80	12,0	<a href="#">24750.0230</a>
40	M 5	28	16,5	22	9	-30	80	12,0	<a href="#">24750.0240</a>
40	M 6	14	16,5	22	9	-30	80	12,0	<a href="#">24750.0250</a>
40	M 6	18	16,5	22	9	-30	80	13,0	<a href="#">24750.0260</a>
40	M 6	23	16,5	22	9	-30	80	14,0	<a href="#">24750.0270</a>
40	M 6	28	16,5	22	9	-30	80	15,0	<a href="#">24750.0280</a>
40	M 6	38	16,5	22	9	-30	80	16,0	<a href="#">24750.0290</a>
50	M 6	14	22,0	26	10	-30	80	19,0	<a href="#">24750.0300</a>

d <sub>1</sub>	d <sub>2</sub>	Dimension				l <sub>1</sub>	l <sub>2</sub>	min.	max.	[g]	Art.nr.
		l	d <sub>3</sub>	[mm]							
50	M 6	18	22,0		26	10	-30	80	19,0	24750.0310	
50	M 6	23	22,0		26	10	-30	80	20,0	24750.0320	
50	M 6	28	22,0		26	10	-30	80	21,0	24750.0330	
50	M 6	38	22,0		26	10	-30	80	23,0	24750.0340	
50	M 8	18	22,0		26	10	-30	80	26,0	24750.0350	
50	M 8	23	22,0		26	10	-30	80	27,0	24750.0360	
50	M 8	28	22,0		26	10	-30	80	29,0	24750.0370	
50	M 8	38	22,0		26	10	-30	80	32,0	24750.0380	
50	M 8	48	22,0		26	10	-30	80	35,0	24750.0390	
62	M 8	18	22,0		35	13	-30	80	40,0	24750.0400	
62	M 8	23	22,0		35	13	-30	80	41,0	24750.0410	
62	M 8	28	22,0		35	13	-30	80	43,0	24750.0420	
62	M 8	38	22,0		35	13	-30	80	46,0	24750.0430	
62	M 8	48	22,0		35	13	-30	80	49,0	24750.0440	
62	M10	23	22,0		35	13	-30	80	51,0	24750.0450	
62	M10	28	22,0		35	13	-30	80	54,0	24750.0460	
62	M10	38	22,0		35	13	-30	80	59,0	24750.0470	
62	M10	48	22,0		35	13	-30	80	64,0	24750.0480	
62	M10	58	22,0		35	13	-30	80	69,0	24750.0490	
<b>vit</b>											
30	M 4	10	14,0		19	7	-30	80	6,1	24750.0101	
30	M 4	14	14,0		19	7	-30	80	6,6	24750.0111	
30	M 4	18	14,0		19	7	-30	80	6,9	24750.0121	
30	M 4	23	14,0		19	7	-30	80	7,3	24750.0131	
30	M 4	28	14,0		19	7	-30	80	7,7	24750.0141	
30	M 5	10	14,0		19	7	-30	80	7,5	24750.0151	
30	M 5	14	14,0		19	7	-30	80	7,9	24750.0161	
30	M 5	18	14,0		19	7	-30	80	8,4	24750.0171	
30	M 5	23	14,0		19	7	-30	80	9,0	24750.0181	
30	M 5	28	14,0		19	7	-30	80	9,0	24750.0191	
40	M 5	10	16,5		22	9	-30	80	9,6	24750.0201	
40	M 5	14	16,5		22	9	-30	80	10,0	24750.0211	
40	M 5	18	16,5		22	9	-30	80	11,0	24750.0221	
40	M 5	23	16,5		22	9	-30	80	12,0	24750.0231	
40	M 5	28	16,5		22	9	-30	80	12,0	24750.0241	
40	M 6	14	16,5		22	9	-30	80	12,0	24750.0251	
40	M 6	18	16,5		22	9	-30	80	13,0	24750.0261	
40	M 6	23	16,5		22	9	-30	80	14,0	24750.0271	
40	M 6	28	16,5		22	9	-30	80	15,0	24750.0281	
40	M 6	38	16,5		22	9	-30	80	16,0	24750.0291	
50	M 6	14	22,0		26	10	-30	80	19,0	24750.0301	
50	M 6	18	22,0		26	10	-30	80	19,0	24750.0311	
50	M 6	23	22,0		26	10	-30	80	20,0	24750.0321	
50	M 6	28	22,0		26	10	-30	80	21,0	24750.0331	
50	M 6	38	22,0		26	10	-30	80	23,0	24750.0341	
50	M 8	18	22,0		26	10	-30	80	26,0	24750.0351	
50	M 8	23	22,0		26	10	-30	80	27,0	24750.0361	
50	M 8	28	22,0		26	10	-30	80	29,0	24750.0371	
50	M 8	38	22,0		26	10	-30	80	32,0	24750.0381	
50	M 8	48	22,0		26	10	-30	80	35,0	24750.0391	
62	M 8	18	22,0		35	13	-30	80	40,0	24750.0401	
62	M 8	23	22,0		35	13	-30	80	41,0	24750.0411	
62	M 8	28	22,0		35	13	-30	80	43,0	24750.0421	
62	M 8	38	22,0		35	13	-30	80	46,0	24750.0431	
62	M 8	48	22,0		35	13	-30	80	49,0	24750.0441	
62	M10	23	22,0		35	13	-30	80	51,0	24750.0451	
62	M10	28	22,0		35	13	-30	80	54,0	24750.0461	
62	M10	38	22,0		35	13	-30	80	59,0	24750.0471	
62	M10	48	22,0		35	13	-30	80	64,0	24750.0481	
62	M10	58	22,0		35	13	-30	80	69,0	24750.0491	

d <sub>1</sub>	d <sub>2</sub>	Dimension				l <sub>1</sub>	l <sub>2</sub>	min.	max.	[g]	Art.nr.
		l	d <sub>3</sub>	[mm]							
<b>orange</b>											
30	M 4	10	14,0	19	7	-30	80	6,1	24750.0102		
30	M 4	14	14,0	19	7	-30	80	6,6	24750.0112		
30	M 4	18	14,0	19	7	-30	80	6,9	24750.0122		
30	M 4	23	14,0	19	7	-30	80	7,3	24750.0132		
30	M 4	28	14,0	19	7	-30	80	7,7	24750.0142		
30	M 5	10	14,0	19	7	-30	80	7,5	24750.0152		
30	M 5	14	14,0	19	7	-30	80	7,9	24750.0162		
30	M 5	18	14,0	19	7	-30	80	8,4	24750.0172		
30	M 5	23	14,0	19	7	-30	80	9,0	24750.0182		
30	M 5	28	14,0	19	7	-30	80	9,0	24750.0192		
40	M 5	10	16,5	22	9	-30	80	9,6	24750.0202		
40	M 5	14	16,5	22	9	-30	80	10,0	24750.0212		
40	M 5	18	16,5	22	9	-30	80	11,0	24750.0222		
40	M 5	23	16,5	22	9	-30	80	12,0	24750.0232		
40	M 5	28	16,5	22	9	-30	80	12,0	24750.0242		
40	M 6	14	16,5	22	9	-30	80	12,0	24750.0252		
40	M 6	18	16,5	22	9	-30	80	13,0	24750.0262		
40	M 6	23	16,5	22	9	-30	80	14,0	24750.0272		
40	M 6	28	16,5	22	9	-30	80	15,0	24750.0282		
40	M 6	38	16,5	22	9	-30	80	16,0	24750.0292		
50	M 6	14	22,0	26	10	-30	80	19,0	24750.0302		
50	M 6	18	22,0	26	10	-30	80	19,0	24750.0312		
50	M 6	23	22,0	26	10	-30	80	20,0	24750.0322		
50	M 6	28	22,0	26	10	-30	80	21,0	24750.0332		
50	M 6	38	22,0	26	10	-30	80	23,0	24750.0342		
50	M 8	18	22,0	26	10	-30	80	26,0	24750.0352		
50	M 8	23	22,0	26	10	-30	80	27,0	24750.0362		
50	M 8	28	22,0	26	10	-30	80	29,0	24750.0372		
50	M 8	38	22,0	26	10	-30	80	32,0	24750.0382		
50	M 8	48	22,0	26	10	-30	80	35,0	24750.0392		
62	M 8	18	22,0	35	13	-30	80	40,0	24750.0402		
62	M 8	23	22,0	35	13	-30	80	41,0	24750.0412		
62	M 8	28	22,0	35	13	-30	80	43,0	24750.0422		
62	M 8	38	22,0	35	13	-30	80	46,0	24750.0432		
62	M 8	48	22,0	35	13	-30	80	49,0	24750.0442		
62	M10	23	22,0	35	13	-30	80	51,0	24750.0452		
62	M10	28	22,0	35	13	-30	80	54,0	24750.0462		
62	M10	38	22,0	35	13	-30	80	59,0	24750.0472		
62	M10	48	22,0	35	13	-30	80	64,0	24750.0482		
62	M10	58	22,0	35	13	-30	80	69,0	24750.0492		
<b>gul</b>											
30	M 4	10	14,0	19	7	-30	80	6,1	24750.0103		
30	M 4	14	14,0	19	7	-30	80	6,6	24750.0113		
30	M 4	18	14,0	19	7	-30	80	6,9	24750.0123		
30	M 4	23	14,0	19	7	-30	80	7,3	24750.0133		
30	M 4	28	14,0	19	7	-30	80	7,7	24750.0143		
30	M 5	10	14,0	19	7	-30	80	7,5	24750.0153		
30	M 5	14	14,0	19	7	-30	80	7,9	24750.0163		
30	M 5	18	14,0	19	7	-30	80	8,4	24750.0173		
30	M 5	23	14,0	19	7	-30	80	9,0	24750.0183		
30	M 5	28	14,0	19	7	-30	80	9,0	24750.0193		
40	M 5	10	16,5	22	9	-30	80	9,6	24750.0203		
40	M 5	14	16,5	22	9	-30	80	10,0	24750.0213		
40	M 5	18	16,5	22	9	-30	80	11,0	24750.0223		
40	M 5	23	16,5	22	9	-30	80	12,0	24750.0233		
40	M 5	28	16,5	22	9	-30	80	12,0	24750.0243		
40	M 6	14	16,5	22	9	-30	80	12,0	24750.0253		
40	M 6	18	16,5	22	9	-30	80	13,0	24750.0263		
40	M 6	23	16,5	22	9	-30	80	14,0	24750.0273		
40	M 6	28	16,5	22	9	-30	80	15,0	24750.0283		
40	M 6	38	16,5	22	9	-30	80	16,0	24750.0293		

Dimension						 min. max.		 [g]	Art.nr.
d <sub>1</sub>	d <sub>2</sub>	l	d <sub>3</sub>	l <sub>1</sub>	l <sub>2</sub>	 [°C]			
[mm]									
50	M 6	14	22,0	26	10	-30	80	19,0	<a href="#">24750.0303</a>
50	M 6	18	22,0	26	10	-30	80	19,0	<a href="#">24750.0313</a>
50	M 6	23	22,0	26	10	-30	80	20,0	<a href="#">24750.0323</a>
50	M 6	28	22,0	26	10	-30	80	21,0	<a href="#">24750.0333</a>
50	M 6	38	22,0	26	10	-30	80	23,0	<a href="#">24750.0343</a>
50	M 8	18	22,0	26	10	-30	80	26,0	<a href="#">24750.0353</a>
50	M 8	23	22,0	26	10	-30	80	27,0	<a href="#">24750.0363</a>
50	M 8	28	22,0	26	10	-30	80	29,0	<a href="#">24750.0373</a>
50	M 8	38	22,0	26	10	-30	80	32,0	<a href="#">24750.0383</a>
50	M 8	48	22,0	26	10	-30	80	35,0	<a href="#">24750.0393</a>
62	M 8	18	22,0	35	13	-30	80	40,0	<a href="#">24750.0403</a>
62	M 8	23	22,0	35	13	-30	80	41,0	<a href="#">24750.0413</a>
62	M 8	28	22,0	35	13	-30	80	43,0	<a href="#">24750.0423</a>
62	M 8	38	22,0	35	13	-30	80	46,0	<a href="#">24750.0433</a>
62	M 8	48	22,0	35	13	-30	80	49,0	<a href="#">24750.0443</a>
62	M10	23	22,0	35	13	-30	80	51,0	<a href="#">24750.0453</a>
62	M10	28	22,0	35	13	-30	80	54,0	<a href="#">24750.0463</a>
62	M10	38	22,0	35	13	-30	80	59,0	<a href="#">24750.0473</a>
62	M10	48	22,0	35	13	-30	80	64,0	<a href="#">24750.0483</a>
62	M10	58	22,0	35	13	-30	80	69,0	<a href="#">24750.0493</a>
<b>blå</b>									
30	M 4	10	14,0	19	7	-30	80	6,1	<a href="#">24750.0104</a>
30	M 4	14	14,0	19	7	-30	80	6,6	<a href="#">24750.0114</a>
30	M 4	18	14,0	19	7	-30	80	6,9	<a href="#">24750.0124</a>
30	M 4	23	14,0	19	7	-30	80	7,3	<a href="#">24750.0134</a>
30	M 4	28	14,0	19	7	-30	80	7,7	<a href="#">24750.0144</a>
30	M 5	10	14,0	19	7	-30	80	7,5	<a href="#">24750.0154</a>
30	M 5	14	14,0	19	7	-30	80	7,9	<a href="#">24750.0164</a>
30	M 5	18	14,0	19	7	-30	80	8,4	<a href="#">24750.0174</a>
30	M 5	23	14,0	19	7	-30	80	9,0	<a href="#">24750.0184</a>
30	M 5	28	14,0	19	7	-30	80	9,0	<a href="#">24750.0194</a>
40	M 5	10	16,5	22	9	-30	80	9,6	<a href="#">24750.0204</a>
40	M 5	14	16,5	22	9	-30	80	10,0	<a href="#">24750.0214</a>
40	M 5	18	16,5	22	9	-30	80	11,0	<a href="#">24750.0224</a>
40	M 5	23	16,5	22	9	-30	80	12,0	<a href="#">24750.0234</a>
40	M 5	28	16,5	22	9	-30	80	12,0	<a href="#">24750.0244</a>
40	M 6	14	16,5	22	9	-30	80	12,0	<a href="#">24750.0254</a>
40	M 6	18	16,5	22	9	-30	80	13,0	<a href="#">24750.0264</a>
40	M 6	23	16,5	22	9	-30	80	14,0	<a href="#">24750.0274</a>
40	M 6	28	16,5	22	9	-30	80	15,0	<a href="#">24750.0284</a>
40	M 6	38	16,5	22	9	-30	80	16,0	<a href="#">24750.0294</a>
50	M 6	14	22,0	26	10	-30	80	19,0	<a href="#">24750.0304</a>
50	M 6	18	22,0	26	10	-30	80	19,0	<a href="#">24750.0314</a>
50	M 6	23	22,0	26	10	-30	80	20,0	<a href="#">24750.0324</a>
50	M 6	28	22,0	26	10	-30	80	21,0	<a href="#">24750.0334</a>
50	M 6	38	22,0	26	10	-30	80	23,0	<a href="#">24750.0344</a>
50	M 8	18	22,0	26	10	-30	80	26,0	<a href="#">24750.0354</a>
50	M 8	23	22,0	26	10	-30	80	27,0	<a href="#">24750.0364</a>
50	M 8	28	22,0	26	10	-30	80	29,0	<a href="#">24750.0374</a>
50	M 8	38	22,0	26	10	-30	80	32,0	<a href="#">24750.0384</a>
50	M 8	48	22,0	26	10	-30	80	35,0	<a href="#">24750.0394</a>
62	M 8	18	22,0	35	13	-30	80	40,0	<a href="#">24750.0404</a>
62	M 8	23	22,0	35	13	-30	80	41,0	<a href="#">24750.0414</a>
62	M 8	28	22,0	35	13	-30	80	43,0	<a href="#">24750.0424</a>
62	M 8	38	22,0	35	13	-30	80	46,0	<a href="#">24750.0434</a>
62	M 8	48	22,0	35	13	-30	80	49,0	<a href="#">24750.0444</a>
62	M10	23	22,0	35	13	-30	80	51,0	<a href="#">24750.0454</a>
62	M10	28	22,0	35	13	-30	80	54,0	<a href="#">24750.0464</a>
62	M10	38	22,0	35	13	-30	80	59,0	<a href="#">24750.0474</a>
62	M10	48	22,0	35	13	-30	80	64,0	<a href="#">24750.0484</a>
62	M10	58	22,0	35	13	-30	80	69,0	<a href="#">24750.0494</a>

## Användningsexempel



## Överensstämmelse

### RoHS-kompatibel

Överensstämmer med direktiv 2011/65/EU och direktiv 2015/863

### Innehåller inte SVHC-ämnen

Inga SVHC-ämnen med mer än 0,1 % w/w - SVHC-lista [REACH] per 23.01.2024.

### Innehåller inte ämnen i proposition 65

Inga Proposition 65-ämnen inkluderade  
<https://www.P65Warnings.ca.gov/>

### Fri från konfliktmineraler

Denna produkt innehåller inga ämnen betecknade som konfliktmineraler" såsom tantal, tenn, guld eller volfram från Demokratiska republiken Kongo eller angränsande länder."