

Mutter · svetsad

EH 24470.



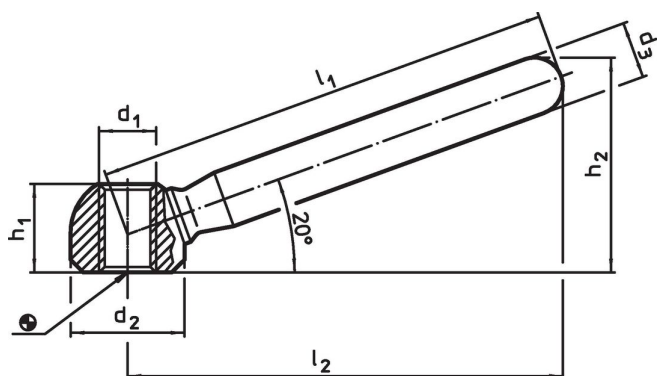
Produktbeskrivning

Lågprisvariant av version DIN 99.

Material

- Stål, förzinkat genom galvanisering
- Rostfritt stål 1.4301, mattpolerat

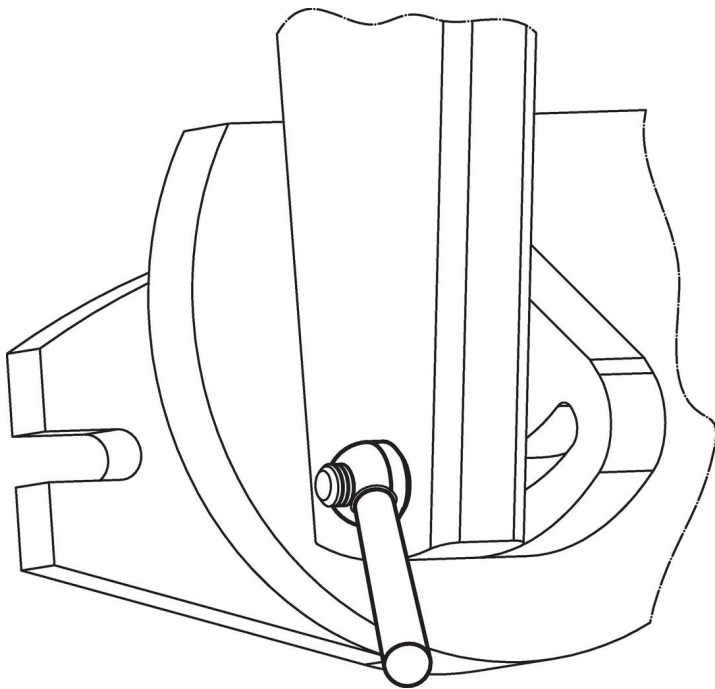
Ritning



Orderinformation

l ₁	l ₂ ~	d ₁	Dimension			h ₁	h ₂ ~	[g]	Art.nr.
			d ₂	d ₃	[mm]				
stål									
63	60	M 8	16	10	12,5	30,5	39	24470.0506	
80	76	M10	20	12	15,0	37,0	83	24470.0508	
100	95	M12	25	14	19,0	46,0	149	24470.0510	
125	119	M16	32	18	25,0	58,5	313	24470.0512	
160	152	M20	40	20	31,0	73,0	533	24470.0516	
rostfritt stål									
63	60	M 8	16	10	12,5	30,5	39	24470.0606	
80	76	M10	20	12	15,0	37,0	83	24470.0608	
100	95	M12	25	14	19,0	46,0	149	24470.0610	
125	119	M16	32	18	25,0	58,5	313	24470.0612	
160	152	M20	40	20	31,0	73,0	533	24470.0616	

Användningsexempel



Överensstämmelse

For detailed compliance information please select the desired article number.