

Justerbart Maskinhandtag

EH 24440.



Produktbeskrivning

Material

Manöverspak

- Stål, svartoxiderat
- Rostfritt stål 1.4305, mattpolerat

Innerdelar

- Stål, svärtat, kvalitet 5.8
- Rostfritt stål 1.4305, mattpolerat

Skruv

- Stål, svärtat, kvalitet 5.8
- Rostfritt stål 1.4305

Kulknopp

- Härdplast PF 31, svart, DIN 319

Drift

Genom att lyfta handtaget frigörs låsningen. Greppets läge ställs in via tandningen. Greppet fäster vid tandningen automatiskt när man släpper greppet.

Mer information

Not

Gängingsatsen är utbyttbar.

Ritning

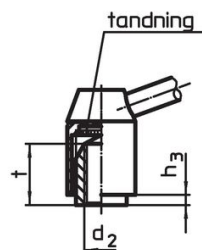
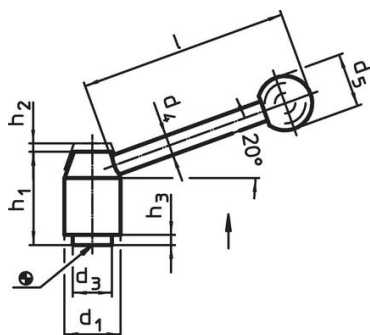


Bild 1

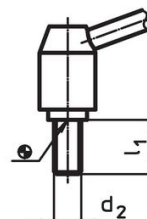



Bild 2

Orderinformation

| Dimension | | | | | | | | | | | | [g] | Art.nr. |
|--|----------------|----------------|----------------|----------------|----------------|----------------|----------------|----------------|-----|----|------|------------|---------|
| d ₁ | d ₂ | l ₁ | d ₃ | d ₄ | d ₅ | h ₁ | h ₂ | h ₃ | l | t | min. | | |
| [mm] | | | | | | | | | | | | | |
| med invändig gänga – Bild 1, Stål | | | | | | | | | | | | | |
| 21 | M 6 | – | 13,5 | 8 | 20 | 33,5 | 4,0 | 1,0 | 70 | 11 | 91 | 24440.0101 | |
| 21 | M 8 | – | 13,5 | 8 | 20 | 33,5 | 4,0 | 1,0 | 70 | 11 | 89 | 24440.0102 | |
| 24 | M 8 | – | 16,0 | 10 | 25 | 40,0 | 4,5 | 2,5 | 96 | 14 | 159 | 24440.0201 | |
| 24 | M10 | – | 16,0 | 10 | 25 | 40,0 | 4,5 | 2,5 | 96 | 14 | 153 | 24440.0202 | |
| 28 | M10 | – | 19,0 | 12 | 30 | 48,5 | 4,5 | 4,5 | 110 | 17 | 255 | 24440.0301 | |
| 28 | M12 | – | 19,0 | 12 | 30 | 48,5 | 4,5 | 4,5 | 110 | 17 | 248 | 24440.0302 | |
| 33 | M12 | – | 23,0 | 12 | 32 | 55,0 | 5,5 | 6,0 | 124 | 23 | 365 | 24440.0401 | |
| 33 | M16 | – | 23,0 | 12 | 32 | 55,0 | 5,5 | 6,0 | 124 | 23 | 347 | 24440.0402 | |
| 40 | M16 | – | 30,0 | 14 | 35 | 68,0 | 5,5 | 6,0 | 138 | 36 | 622 | 24440.0501 | |
| 40 | M20 | – | 30,0 | 14 | 35 | 68,0 | 5,5 | 6,0 | 138 | 36 | 599 | 24440.0502 | |
| med skruv – Bild 2, Stål | | | | | | | | | | | | | |
| 21 | M 8 | 12 | 13,5 | 8 | 20 | 33,5 | 4,0 | 1,0 | 70 | – | 98 | 24440.0120 | |
| 21 | M 8 | 16 | 13,5 | 8 | 20 | 33,5 | 4,0 | 1,0 | 70 | – | 99 | 24440.0122 | |
| 21 | M 8 | 20 | 13,5 | 8 | 20 | 33,5 | 4,0 | 1,0 | 70 | – | 103 | 24440.0124 | |
| 21 | M 8 | 25 | 13,5 | 8 | 20 | 33,5 | 4,0 | 1,0 | 70 | – | 102 | 24440.0126 | |
| 21 | M 8 | 32 | 13,5 | 8 | 20 | 33,5 | 4,0 | 1,0 | 70 | – | 105 | 24440.0128 | |
| 21 | M 8 | 40 | 13,5 | 8 | 20 | 33,5 | 4,0 | 1,0 | 70 | – | 112 | 24440.0130 | |
| 21 | M 8 | 50 | 13,5 | 8 | 20 | 33,5 | 4,0 | 1,0 | 70 | – | 109 | 24440.0132 | |
| 21 | M 8 | 63 | 13,5 | 8 | 20 | 33,5 | 4,0 | 1,0 | 70 | – | 114 | 24440.0134 | |
| 24 | M10 | 16 | 16,0 | 10 | 25 | 40,0 | 4,5 | 2,5 | 96 | – | 172 | 24440.0220 | |
| 24 | M10 | 20 | 16,0 | 10 | 25 | 40,0 | 4,5 | 2,5 | 96 | – | 173 | 24440.0222 | |
| 24 | M10 | 25 | 16,0 | 10 | 25 | 40,0 | 4,5 | 2,5 | 96 | – | 174 | 24440.0224 | |
| 24 | M10 | 32 | 16,0 | 10 | 25 | 40,0 | 4,5 | 2,5 | 96 | – | 177 | 24440.0226 | |

| d ₁ | d ₂ | l ₁ | Dimension | | | | | | | | t min. |  [g] | Art.nr. |
|--|----------------|----------------|----------------|----------------|----------------|----------------|----------------|----------------|--------|----|-----------|--|---------|
| | | | d ₃ | d ₄ | d ₅ | h ₁ | h ₂ | h ₃ | l ~ | | | | |
| [mm] | | | | | | | | | | | | | |
| 24 | M10 | 40 | 16,0 | 10 | 25 | 40,0 | 4,5 | 2,5 | 96 | - | 184 | 24440.0228 | |
| 24 | M10 | 50 | 16,0 | 10 | 25 | 40,0 | 4,5 | 2,5 | 96 | - | 185 | 24440.0230 | |
| 24 | M10 | 63 | 16,0 | 10 | 25 | 40,0 | 4,5 | 2,5 | 96 | - | 195 | 24440.0232 | |
| 24 | M10 | 80 | 16,0 | 10 | 25 | 40,0 | 4,5 | 2,5 | 96 | - | 205 | 24440.0234 | |
| 28 | M12 | 16 | 19,0 | 12 | 30 | 48,5 | 4,5 | 4,5 | 110 | - | 277 | 24440.0318 | |
| 28 | M12 | 20 | 19,0 | 12 | 30 | 48,5 | 4,5 | 4,5 | 110 | - | 282 | 24440.0320 | |
| 28 | M12 | 25 | 19,0 | 12 | 30 | 48,5 | 4,5 | 4,5 | 110 | - | 283 | 24440.0322 | |
| 28 | M12 | 32 | 19,0 | 12 | 30 | 48,5 | 4,5 | 4,5 | 110 | - | 287 | 24440.0324 | |
| 28 | M12 | 40 | 19,0 | 12 | 30 | 48,5 | 4,5 | 4,5 | 110 | - | 298 | 24440.0326 | |
| 28 | M12 | 50 | 19,0 | 12 | 30 | 48,5 | 4,5 | 4,5 | 110 | - | 302 | 24440.0328 | |
| 28 | M12 | 63 | 19,0 | 12 | 30 | 48,5 | 4,5 | 4,5 | 110 | - | 312 | 24440.0330 | |
| 28 | M12 | 80 | 19,0 | 12 | 30 | 48,5 | 4,5 | 4,5 | 110 | - | 320 | 24440.0332 | |
| 33 | M16 | 32 | 23,0 | 12 | 32 | 55,0 | 5,5 | 6,0 | 124 | - | 422 | 24440.0422 | |
| 33 | M16 | 40 | 23,0 | 12 | 32 | 55,0 | 5,5 | 6,0 | 124 | - | 435 | 24440.0424 | |
| 33 | M16 | 50 | 23,0 | 12 | 32 | 55,0 | 5,5 | 6,0 | 124 | - | 446 | 24440.0426 | |
| 33 | M16 | 63 | 23,0 | 12 | 32 | 55,0 | 5,5 | 6,0 | 124 | - | 461 | 24440.0428 | |
| 33 | M16 | 80 | 23,0 | 12 | 32 | 55,0 | 5,5 | 6,0 | 124 | - | 486 | 24440.0430 | |
| 40 | M20 | 40 | 30,0 | 14 | 35 | 68,0 | 5,5 | 6,0 | 138 | - | 772 | 24440.0520 | |
| 40 | M20 | 50 | 30,0 | 14 | 35 | 68,0 | 5,5 | 6,0 | 138 | - | 792 | 24440.0522 | |
| 40 | M20 | 63 | 30,0 | 14 | 35 | 68,0 | 5,5 | 6,0 | 138 | - | 826 | 24440.0524 | |
| 40 | M20 | 80 | 30,0 | 14 | 35 | 68,0 | 5,5 | 6,0 | 138 | - | 859 | 24440.0526 | |
| med invändig gänga – Bild 1, Rostfritt stål | | | | | | | | | | | | | |
| 21 | M 6 | - | 13,5 | 8 | 20 | 33,5 | 4,0 | 1,0 | 70 | 11 | 91 | 24440.0601 | |
| 21 | M 8 | - | 13,5 | 8 | 20 | 33,5 | 4,0 | 1,0 | 70 | 11 | 89 | 24440.0602 | |
| 24 | M 8 | - | 16,0 | 10 | 25 | 40,0 | 4,5 | 2,5 | 96 | 14 | 159 | 24440.0611 | |
| 24 | M10 | - | 16,0 | 10 | 25 | 40,0 | 4,5 | 2,5 | 96 | 14 | 153 | 24440.0612 | |
| 28 | M10 | - | 19,0 | 12 | 30 | 48,5 | 4,5 | 4,5 | 110 | 17 | 255 | 24440.0621 | |
| 28 | M12 | - | 19,0 | 12 | 30 | 48,5 | 4,5 | 4,5 | 110 | 17 | 248 | 24440.0622 | |
| med skruv – Bild 2, Rostfritt stål | | | | | | | | | | | | | |
| 21 | M 8 | 16 | 13,5 | 8 | 20 | 33,5 | 4,0 | 1,0 | 70 | - | 99 | 24440.0702 | |
| 21 | M 8 | 20 | 13,5 | 8 | 20 | 33,5 | 4,0 | 1,0 | 70 | - | 103 | 24440.0704 | |
| 21 | M 8 | 25 | 13,5 | 8 | 20 | 33,5 | 4,0 | 1,0 | 70 | - | 102 | 24440.0706 | |
| 21 | M 8 | 32 | 13,5 | 8 | 20 | 33,5 | 4,0 | 1,0 | 70 | - | 105 | 24440.0708 | |
| 21 | M 8 | 40 | 13,5 | 8 | 20 | 33,5 | 4,0 | 1,0 | 70 | - | 112 | 24440.0710 | |
| 21 | M 8 | 50 | 13,5 | 8 | 20 | 33,5 | 4,0 | 1,0 | 70 | - | 109 | 24440.0712 | |
| 21 | M 8 | 63 | 13,5 | 8 | 20 | 33,5 | 4,0 | 1,0 | 70 | - | 114 | 24440.0714 | |
| 24 | M10 | 20 | 16,0 | 10 | 25 | 40,0 | 4,5 | 2,5 | 96 | - | 173 | 24440.0722 | |
| 24 | M10 | 25 | 16,0 | 10 | 25 | 40,0 | 4,5 | 2,5 | 96 | - | 174 | 24440.0724 | |
| 24 | M10 | 32 | 16,0 | 10 | 25 | 40,0 | 4,5 | 2,5 | 96 | - | 177 | 24440.0726 | |
| 24 | M10 | 40 | 16,0 | 10 | 25 | 40,0 | 4,5 | 2,5 | 96 | - | 184 | 24440.0728 | |
| 24 | M10 | 50 | 16,0 | 10 | 25 | 40,0 | 4,5 | 2,5 | 96 | - | 185 | 24440.0730 | |
| 24 | M10 | 63 | 16,0 | 10 | 25 | 40,0 | 4,5 | 2,5 | 96 | - | 195 | 24440.0732 | |
| 24 | M10 | 80 | 16,0 | 10 | 25 | 40,0 | 4,5 | 2,5 | 96 | - | 205 | 24440.0734 | |
| 28 | M12 | 25 | 19,0 | 12 | 30 | 48,5 | 4,5 | 4,5 | 110 | - | 283 | 24440.0742 | |
| 28 | M12 | 32 | 19,0 | 12 | 30 | 48,5 | 4,5 | 4,5 | 110 | - | 287 | 24440.0744 | |
| 28 | M12 | 40 | 19,0 | 12 | 30 | 48,5 | 4,5 | 4,5 | 110 | - | 298 | 24440.0746 | |
| 28 | M12 | 50 | 19,0 | 12 | 30 | 48,5 | 4,5 | 4,5 | 110 | - | 302 | 24440.0748 | |
| 28 | M12 | 63 | 19,0 | 12 | 30 | 48,5 | 4,5 | 4,5 | 110 | - | 312 | 24440.0750 | |
| 28 | M12 | 80 | 19,0 | 12 | 30 | 48,5 | 4,5 | 4,5 | 110 | - | 320 | 24440.0752 | |

Överensstämmelse

För detaljerad överensstämmelseinformation, välj önskat artikelnummer.