

Stavändar • DIN 12240-4, med invändig gänga
EH 22982.

Produktbeskrivning

Stavändar passar till många applikationer som utsätts för dynamisk belastning. Utöver användning i områden med korrosionsrisk kan versionen i rostfritt stål också användas under högre dynamiska belastningar.

Stavändar används som lager när behövs rörelse mellan axel och hus, och där rörelsen inte är i rak linje.

Stavändar är monteringsfärdiga detaljer som är tillverkade enligt DIN ISO 12240-4 (dimension serie K). PTFE materialet i lagren gör stavändarna underhållsfria.

Vänligen notera den tekniska information på följande sidor.

Material

Kropp

- Automatstål, svarvat, förnicklat
- Rostfritt stål 1.4057, gjutet, polerat

Skarv kula

- Rullagerstål, härdat, slipat, polerat/polished
- Rostfritt stål 1.4034, härdat, slipat, polerat

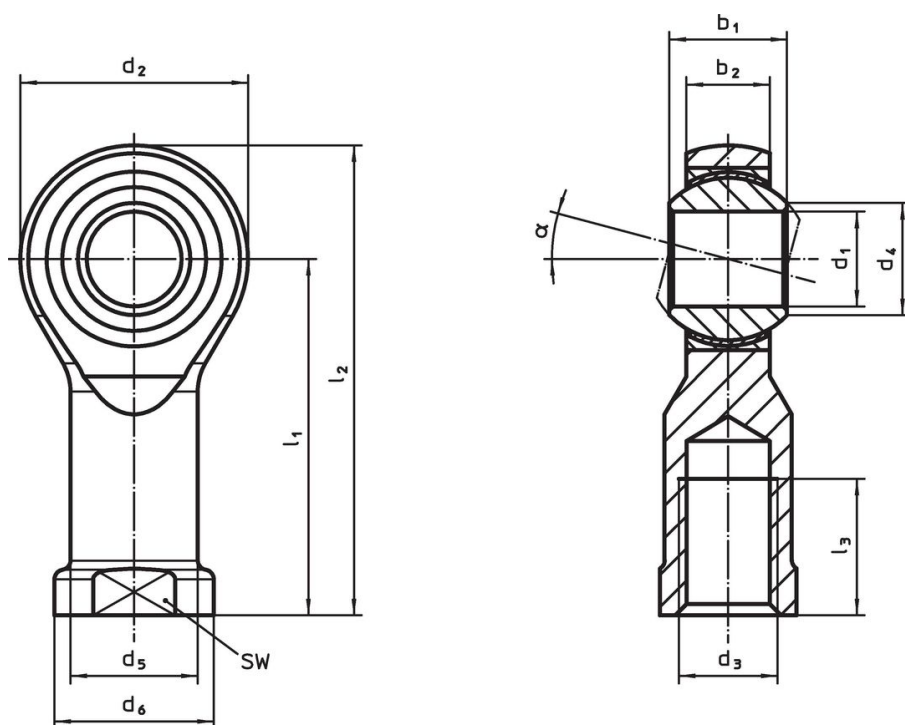
Lager

- PTFE material

Lager skal

- Automatstål, förzinkat genom galvanisering
- Rostfritt stål 1.4571

Ritning



Orderinformation

| Dimension | | | | | | | | | | | | α | SW | Dynamisk bärande tal C | statiskt bärande tal C ₀ | min. max. | | | Art.nr. |
|-----------------------|----------------|----------------|----------------|----------------|----------------|----------------|----------------|----------------|----------------|----------------|-----|----------|------|------------------------------|---|-------------|------|------------|---------|
| d ₁ | l ₁ | b ₁ | b ₂ | d ₂ | d ₃ | d ₄ | d ₅ | d ₆ | l ₂ | l ₃ | | [mm] | [mm] | [kN] | [kN] | min. | max. | [g] | |
| [mm] | | | | | | | | | | | | | | | | [°C] | | | |
| hörgänga, Automatstål | | | | | | | | | | | | | | | | | | | |
| 5 | 27 | 8 | 6,00 | 18 | M 5 | 7,7 | 9,0 | 11 | 36 | 10 | 13° | 9 | 7,5 | 8,0 | -50 | 150 | 18 | 22982.0202 | |
| 6 | 30 | 9 | 6,75 | 20 | M 6 | 8,9 | 10,0 | 13 | 40 | 12 | 13° | 11 | 9,3 | 8,9 | -50 | 150 | 26 | 22982.0204 | |
| 8 | 36 | 12 | 9,00 | 24 | M 8 | 10,4 | 12,5 | 16 | 48 | 16 | 14° | 13 | 16,7 | 14,1 | -50 | 150 | 47 | 22982.0206 | |
| 10 | 43 | 14 | 10,50 | 28 | M10 | 12,9 | 15,0 | 19 | 57 | 20 | 13° | 17 | 23,4 | 19,3 | -50 | 150 | 76 | 22982.0208 | |

| Dimension | | | | | | | | | | | α | SW | Dynamisk bärande tal C | statiskt bärande tal C ₀ | min. max. | | [g] | Art.nr. |
|-------------------------------------|----------------|----------------|----------------|----------------|----------------|----------------|----------------|----------------|----------------|----------------|----------|----|------------------------------|---|-------------|------|-----|------------|
| d ₁ | l ₁ | b ₁ | b ₂ | d ₂ | d ₃ | d ₄ | d ₅ | d ₆ | l ₂ | l ₃ | | | | | [mm] | [kN] | | |
| 12 | 50 | 16 | 12,00 | 32 | M12 | 15,4 | 17,5 | 22 | 66 | 22 | 13° | 19 | 32,0 | 23,5 | -50 | 150 | 113 | 22982.0210 |
| 14 | 57 | 19 | 13,50 | 36 | M14 | 16,8 | 20,0 | 25 | 75 | 25 | 16° | 22 | 42,0 | 21,0 | -50 | 150 | 165 | 22982.0212 |
| 16 | 64 | 21 | 15,00 | 42 | M16 | 19,3 | 22,0 | 27 | 85 | 28 | 15° | 22 | 52,5 | 32,0 | -50 | 150 | 235 | 22982.0214 |
| 18 | 71 | 23 | 16,50 | 46 | M18 x 1,5 | 21,8 | 25,0 | 31 | 94 | 32 | 15° | 27 | 64,0 | 38,5 | -50 | 150 | 317 | 22982.0216 |
| 20 | 77 | 25 | 18,00 | 50 | M20 x 1,5 | 24,3 | 27,5 | 34 | 102 | 33 | 14° | 32 | 78,0 | 44,0 | -50 | 150 | 413 | 22982.0218 |
| 22 | 84 | 28 | 20,00 | 54 | M22 x 1,5 | 25,8 | 30,0 | 37 | 111 | 37 | 15° | 32 | 97,0 | 53,0 | -50 | 150 | 528 | 22982.0220 |
| 25 | 94 | 31 | 22,00 | 60 | M24 x 2 | 29,6 | 33,5 | 42 | 124 | 42 | 15° | 36 | 122,0 | 62,0 | -50 | 150 | 725 | 22982.0222 |
| hörgänga, Rostfritt stål | | | | | | | | | | | | | | | | | | |
| 5 | 27 | 8 | 6,00 | 18 | M 5 | 7,7 | 9,0 | 11 | 36 | 10 | 13° | 9 | 7,5 | 11,8 | -50 | 150 | 18 | 22982.0402 |
| 6 | 30 | 9 | 6,75 | 20 | M 6 | 8,9 | 10,0 | 13 | 40 | 12 | 13° | 11 | 9,3 | 13,1 | -50 | 150 | 26 | 22982.0404 |
| 8 | 36 | 12 | 9,00 | 24 | M 8 | 10,4 | 12,5 | 16 | 48 | 16 | 14° | 13 | 16,7 | 20,7 | -50 | 150 | 47 | 22982.0406 |
| 10 | 43 | 14 | 10,50 | 28 | M10 | 12,9 | 15,0 | 19 | 57 | 20 | 13° | 17 | 23,4 | 28,3 | -50 | 150 | 76 | 22982.0408 |
| 12 | 50 | 16 | 12,00 | 32 | M12 | 15,4 | 17,5 | 22 | 66 | 22 | 13° | 19 | 32,0 | 34,5 | -50 | 150 | 113 | 22982.0410 |
| 14 | 57 | 19 | 13,50 | 36 | M14 | 16,8 | 20,0 | 25 | 75 | 25 | 16° | 22 | 42,0 | 39,5 | -50 | 150 | 165 | 22982.0412 |
| 16 | 64 | 21 | 15,00 | 42 | M16 | 19,3 | 22,0 | 27 | 85 | 28 | 15° | 22 | 52,5 | 60,5 | -50 | 150 | 235 | 22982.0414 |
| 18 | 71 | 23 | 16,50 | 46 | M18 x 1,5 | 21,8 | 25,0 | 31 | 94 | 32 | 15° | 27 | 64,0 | 73,0 | -50 | 150 | 317 | 22982.0416 |
| 20 | 77 | 25 | 18,00 | 50 | M20 x 1,5 | 24,3 | 27,5 | 34 | 102 | 33 | 14° | 32 | 78,0 | 83,0 | -50 | 150 | 413 | 22982.0418 |
| 22 | 84 | 28 | 20,00 | 54 | M22 x 1,5 | 25,8 | 30,0 | 37 | 111 | 37 | 15° | 32 | 97,0 | 100,0 | -50 | 150 | 528 | 22982.0420 |
| 25 | 94 | 31 | 22,00 | 60 | M24 x 2 | 29,6 | 33,5 | 42 | 124 | 42 | 15° | 36 | 122,0 | 118,0 | -50 | 150 | 725 | 22982.0422 |
| vänstergänga, Automatstål | | | | | | | | | | | | | | | | | | |
| 5 | 27 | 8 | 6,00 | 18 | M 5 | 7,7 | 9,0 | 11 | 36 | 10 | 13° | 9 | 7,5 | 8,0 | -50 | 150 | 19 | 22982.0224 |
| 6 | 30 | 9 | 6,75 | 20 | M 6 | 8,9 | 10,0 | 13 | 40 | 12 | 13° | 11 | 9,3 | 8,9 | -50 | 150 | 26 | 22982.0226 |
| 8 | 36 | 12 | 9,00 | 24 | M 8 | 10,4 | 12,5 | 16 | 48 | 16 | 14° | 13 | 16,7 | 14,1 | -50 | 150 | 47 | 22982.0228 |
| 10 | 43 | 14 | 10,50 | 28 | M10 | 12,9 | 15,0 | 19 | 57 | 20 | 13° | 17 | 23,4 | 19,3 | -50 | 150 | 76 | 22982.0230 |
| 12 | 50 | 16 | 12,00 | 32 | M12 | 15,4 | 17,5 | 22 | 66 | 22 | 13° | 19 | 32,0 | 23,5 | -50 | 150 | 113 | 22982.0232 |
| 14 | 57 | 19 | 13,50 | 36 | M14 | 16,8 | 20,0 | 25 | 75 | 25 | 16° | 22 | 42,0 | 21,0 | -50 | 150 | 164 | 22982.0234 |
| 16 | 64 | 21 | 15,00 | 42 | M16 | 19,3 | 22,0 | 27 | 85 | 28 | 15° | 22 | 52,5 | 32,0 | -50 | 150 | 235 | 22982.0236 |
| 18 | 71 | 23 | 16,50 | 46 | M18 x 1,5 | 21,8 | 25,0 | 31 | 94 | 32 | 15° | 27 | 64,0 | 38,5 | -50 | 150 | 318 | 22982.0238 |
| 20 | 77 | 25 | 18,00 | 50 | M20 x 1,5 | 24,3 | 27,5 | 34 | 102 | 33 | 14° | 32 | 78,0 | 44,0 | -50 | 150 | 416 | 22982.0240 |
| 22 | 84 | 28 | 20,00 | 54 | M22 x 1,5 | 25,8 | 30,0 | 37 | 111 | 37 | 15° | 32 | 97,0 | 53,0 | -50 | 150 | 526 | 22982.0242 |
| 25 | 94 | 31 | 22,00 | 60 | M24 x 2 | 29,6 | 33,5 | 42 | 124 | 42 | 15° | 36 | 122,0 | 62,0 | -50 | 150 | 716 | 22982.0244 |
| vänstergänga, Rostfritt stål | | | | | | | | | | | | | | | | | | |
| 5 | 27 | 8 | 6,00 | 18 | M 5 | 7,7 | 9,0 | 11 | 36 | 10 | 13° | 9 | 7,5 | 11,8 | -50 | 150 | 19 | 22982.0424 |
| 6 | 30 | 9 | 6,75 | 20 | M 6 | 8,9 | 10,0 | 13 | 40 | 12 | 13° | 11 | 9,3 | 13,1 | -50 | 150 | 26 | 22982.0426 |
| 8 | 36 | 12 | 9,00 | 24 | M 8 | 10,4 | 12,5 | 16 | 48 | 16 | 14° | 13 | 16,7 | 20,7 | -50 | 150 | 47 | 22982.0428 |
| 10 | 43 | 14 | 10,50 | 28 | M10 | 12,9 | 15,0 | 19 | 57 | 20 | 13° | 17 | 23,4 | 28,3 | -50 | 150 | 76 | 22982.0430 |
| 12 | 50 | 16 | 12,00 | 32 | M12 | 15,4 | 17,5 | 22 | 66 | 22 | 13° | 19 | 32,0 | 34,5 | -50 | 150 | 113 | 22982.0432 |
| 14 | 57 | 19 | 13,50 | 36 | M14 | 16,8 | 20,0 | 25 | 75 | 25 | 16° | 22 | 42,0 | 39,5 | -50 | 150 | 164 | 22982.0434 |
| 16 | 64 | 21 | 15,00 | 42 | M16 | 19,3 | 22,0 | 27 | 85 | 28 | 15° | 22 | 52,5 | 60,5 | -50 | 150 | 235 | 22982.0436 |
| 18 | 71 | 23 | 16,50 | 46 | M18 x 1,5 | 21,8 | 25,0 | 31 | 94 | 32 | 15° | 27 | 64,0 | 73,0 | -50 | 150 | 318 | 22982.0438 |
| 20 | 77 | 25 | 18,00 | 50 | M20 x 1,5 | 24,3 | 27,5 | 34 | 102 | 33 | 14° | 32 | 78,0 | 83,0 | -50 | 150 | 416 | 22982.0440 |
| 22 | 84 | 28 | 20,00 | 54 | M22 x 1,5 | 25,8 | 30,0 | 37 | 111 | 37 | 15° | 32 | 97,0 | 100,0 | -50 | 150 | 526 | 22982.0442 |
| 25 | 94 | 31 | 22,00 | 60 | M24 x 2 | 29,6 | 33,5 | 42 | 124 | 42 | 15° | 36 | 122,0 | 118,0 | -50 | 150 | 716 | 22982.0444 |

Överensstämmelse

För detaljerad överensstämmelseinformation, välj önskat artikelnummer.