

Balamale • varianta lungă  
EH 25165.



Descrierea produsului

The different versions cover many applications that require a low load.

These metal hinges are characterised by their simple design and the different versions:

- without bores
- with bores
- with bores for countersunk screws

The version without bores can be assembled by welding or by inserting a specific drilling pattern.

Material

Corp

- Oțel inoxidabil 1.4301
- Oțel, zincat prin galvanizare, pasivat

Axe

- Oțel inoxidabil 1.4301

Desen

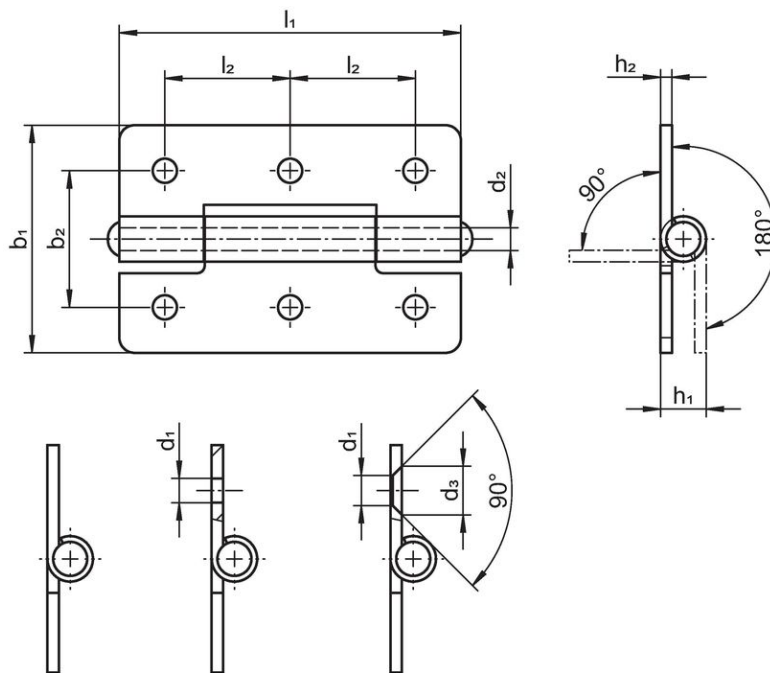
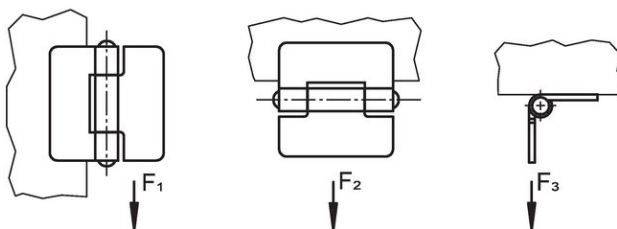


Figura 1

Figura 2

Figura 3



## Informații comandă

b <sub>1</sub>	l <sub>1</sub>	b <sub>2</sub>	d <sub>1</sub>	Dimensiuni					Forța de susținere			[g]	Ref. Nr.	
				d <sub>2</sub>	d <sub>3</sub>	h <sub>1</sub>	h <sub>2</sub>	l <sub>2</sub>	F <sub>1</sub>	F <sub>2</sub>	F <sub>3</sub>			
				[mm]					[N]					
<b>without bores – figura 1, Oțel inoxidabil</b>														
30	45	–	–	3	–	6	1,5	–	1300	750	700	22	<a href="#">25165.0020</a>	
40	60	–	–	4	–	8	2,0	–	2400	1500	1300	52	<a href="#">25165.0030</a>	
50	75	–	–	6	–	10	2,0	–	2500	2250	1300	93	<a href="#">25165.0045</a>	
60	90	–	–	6	–	10	2,0	–	3000	3000	1200	122	<a href="#">25165.0065</a>	
<b>with bores – figura 2, Oțel inoxidabil</b>														
30	45	18	3,2	3	–	6	1,5	16,5	1300	750	700	21	<a href="#">25165.0120</a>	
40	60	25	4,2	4	–	8	2,0	22,5	2400	1500	1300	51	<a href="#">25165.0130</a>	
50	75	30	5,2	6	–	10	2,0	27,5	2500	2250	1300	90	<a href="#">25165.0145</a>	
60	90	36	5,2	6	–	10	2,0	33,0	3000	3000	1200	121	<a href="#">25165.0165</a>	
<b>with bores – figura 2, Oțel</b>														
30	45	18	3,2	3	–	6	1,5	16,5	1300	750	700	21	<a href="#">25165.1020</a>	
40	60	25	4,2	4	–	8	2,0	22,5	2400	1500	1300	51	<a href="#">25165.1030</a>	
50	75	30	5,2	6	–	10	2,0	27,5	2500	2250	1300	90	<a href="#">25165.1045</a>	
60	90	36	5,2	6	–	10	2,0	33,0	3000	3000	1200	121	<a href="#">25165.1065</a>	
<b>with bores for countersunk screws – figura 3, Oțel inoxidabil</b>														
30	45	18	4,0	3	6,4	6	1,5	16,5	1300	750	700	21	<a href="#">25165.0220</a>	
40	60	25	5,0	4	8,3	8	2,0	22,5	2400	1500	1300	51	<a href="#">25165.0230</a>	
50	75	30	5,0	6	8,3	10	2,0	27,5	2500	2250	1300	90	<a href="#">25165.0245</a>	
60	90	36	5,0	6	8,3	10	2,0	33,0	3000	3000	1200	121	<a href="#">25165.0265</a>	
<b>with bores for countersunk screws – figura 3, Oțel</b>														
30	45	18	4,0	3	6,4	6	1,5	16,5	1300	750	700	21	<a href="#">25165.2020</a>	
40	60	25	5,0	4	8,3	8	2,0	22,5	2400	1500	1300	51	<a href="#">25165.2030</a>	
50	75	30	5,0	6	8,3	10	2,0	27,5	2500	2250	1300	90	<a href="#">25165.2045</a>	
60	90	36	5,0	6	8,3	10	2,0	33,0	3000	3000	1200	121	<a href="#">25165.2065</a>	

## Reclamație

### Conform RoHS

Sunt conforme Directivei 2011/65/UE și Directivei 2015/863.

### Nu conține materiale SVHC

Nu conține substanțe SVHC cu mai mult de 0,1% w/w - lista SVHC din 27.06.2024.

### Nu conține substanțe din Declarația 65

Nu conține substanțe din Declarația 65.

<https://www.P65Warnings.ca.gov/>

### Nu conține Minerale de conflict

Acest produs nu conține substanțe desemnate drept „minerale de conflict” precum tantalul, staniul, aurul sau wolfram din Republica Democratică Congo sau din țările adiacente.