

## Balamale • elongated on both sides

EH 25165.



### Descrierea produsului

The different versions cover many applications that require a low load.

These metal hinges are characterised by their simple design and the different versions:

- without bores
- with bores
- with bores for countersunk screws

The version without bores can be assembled by welding or by inserting a specific drilling pattern.

### Material

#### Corp

- Oțel inoxidabil 1.4301
- Oțel, zincat prin galvanizare, pasivat

#### Axe

- Oțel inoxidabil 1.4301

### Desen

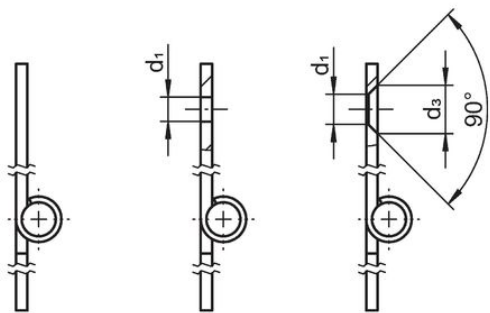
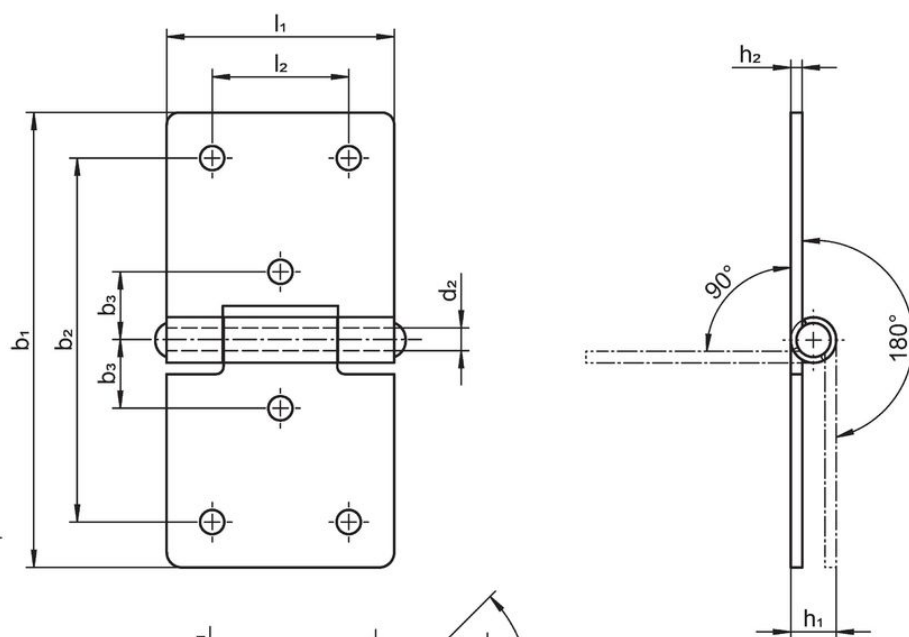
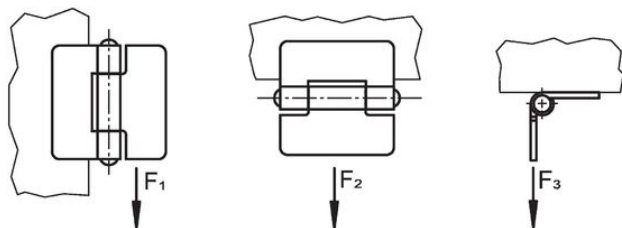


Figura 1

Figura 2

Figura 3



## Informații comandă

b <sub>1</sub>	l <sub>1</sub>	b <sub>2</sub>	b <sub>3</sub>	Dimensiuni						Forța de susținere			[g]	Ref. Nr.
				d <sub>1</sub>	d <sub>2</sub>	d <sub>3</sub>	h <sub>1</sub> ~	h <sub>2</sub>	l <sub>2</sub>	F <sub>1</sub> ~	F <sub>2</sub> ~	F <sub>3</sub> ~		
				[mm]						[N]				
<b>without bores – figura 1, Oțel inoxidabil</b>														
60	30	–	–	–	3	–	6	1,5	–	700	500	450	25	25165.0050
80	40	–	–	–	4	–	8	2,0	–	1200	1000	1000	59	25165.0075
100	50	–	–	–	6	–	10	2,0	–	1200	1600	700	99	25165.0005
120	60	–	–	–	6	–	10	2,0	–	1100	2500	1000	139	25165.0010
<b>with bores – figura 2, Oțel inoxidabil</b>														
60	30	48	9,0	3,2	3	–	6	1,5	18	700	500	450	24	25165.0150
80	40	65	12,5	4,2	4	–	8	2,0	25	1200	1000	1000	58	25165.0175
100	50	80	15,0	5,2	6	–	10	2,0	30	1200	1600	700	98	25165.0105
120	60	96	18,0	5,2	6	–	10	2,0	36	1100	2500	1000	136	25165.0110
<b>with bores – figura 2, Oțel</b>														
60	30	48	9,0	3,2	3	–	6	1,5	18	700	500	450	24	25165.1050
80	40	65	12,5	4,2	4	–	8	2,0	25	1200	1000	1000	58	25165.1075
100	50	80	15,0	5,2	6	–	10	2,0	30	1200	1600	700	98	25165.1005
120	60	96	18,0	5,2	6	–	10	2,0	36	1100	2500	1000	136	25165.1010
<b>with bores for countersunk screws – figura 3, Oțel inoxidabil</b>														
60	30	48	9,0	4,0	3	6,4	6	1,5	18	700	500	450	24	25165.0250
80	40	65	12,5	5,0	4	8,3	8	2,0	25	1200	1000	1000	58	25165.0275
100	50	80	15,0	5,0	6	8,3	10	2,0	30	1200	1600	700	98	25165.0205
120	60	96	18,0	5,0	6	8,3	10	2,0	36	1100	2500	1000	136	25165.0210
<b>with bores for countersunk screws – figura 3, Oțel</b>														
60	30	48	9,0	4,0	3	6,4	6	1,5	18	700	500	450	24	25165.2050
80	40	65	12,5	5,0	4	8,3	8	2,0	25	1200	1000	1000	58	25165.2075
100	50	80	15,0	5,0	6	8,3	10	2,0	30	1200	1600	700	98	25165.2005
120	60	96	18,0	5,0	6	8,3	10	2,0	36	1100	2500	1000	136	25165.2010

## Reclamație

## Conform RoHS

Sunt conforme Directivei 2011/65/UE și Directivei 2015/863.

## Nu conține materiale SVHC

Nu conține substanțe SVHC cu mai mult de 0,1% w/w - lista SVHC din 27.06.2024.

## Nu conține substanțe din Declarația 65

Nu conține substanțe din Declarația 65.

<https://www.P65Warnings.ca.gov/>

## Nu conține Minerale de conflict

Acest produs nu conține substanțe desemnate drept „minerale de conflict” precum tantalul, staniul, aurul sau wolfram din Republica Democratică Congo sau din țările adiacente.