

Amortizor din cauciuc · formă de trunchi de con

EH 25150.



Descrierea produsului

Se poate folosi ca opritor elastic, reazăm, etc.

Duritatea este $55 \pm 5^\circ$ shore A. La cerere, se pot livra și la durități speciale ($40 \pm 5^\circ$ shore A sau $70 \pm 5^\circ$ shore A).

Material

Saibă

- Oțel, zincat prin galvanizare, pasivat
- Oțel inoxidabil 1.4301

Bucșă filetată

- Oțel, zincat prin galvanizare, pasivat
- Oțel inoxidabil 1.4301

Corp

- NBR

Șurub

- Oțel, zincat prin galvanizare, pasivat
- Oțel inoxidabil 1.4301

Mai multe informații

Produse asociate

- Picioare de susținere, amortizare de impact
- Amortizor din silicon, formă de trunchi de con

Desen

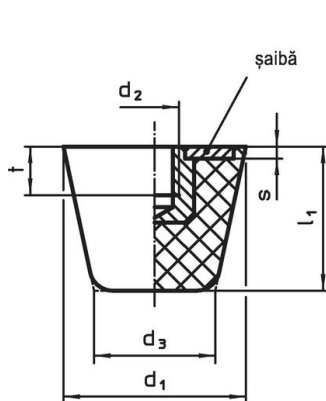


Figura 1

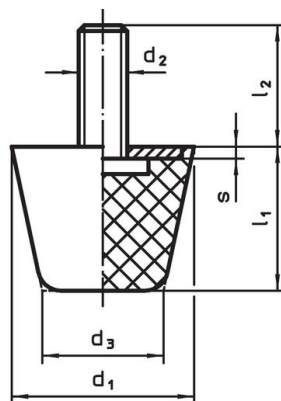


Figura 2

Informații comandă

Dimensiuni							Forța compresie arc R ~ [N/mm]	Sarcină max. max. [N]	Cursa arc ~ [mm]	Temperatură		Greutate [g]	Ref. Nr.
d ₁	d ₂	l ₂	d ₃	l ₁	s	t				min.	max.		
[mm]													
cu filet interior – figura 1, Oțel													
19	M 5	–	12,0	16,0	2	5	28	110	4,00	-30	80	7,0	25150.0719
25	M 6	–	16,5	20,5	2	6	82	430	5,25	-30	80	14,0	25150.0725
32	M 8	–	21,0	26,0	2	8	140	910	6,50	-30	80	27,0	25150.0732
38	M 8	–	24,5	32,0	2	8	125	1200	9,50	-30	80	43,0	25150.0738
50	M10	–	32,0	43,0	2	10	155	1620	10,50	-30	80	93,0	25150.0750
cu filet interior – figura 1, Oțel inoxidabil													
19	M 5	–	12,0	16,0	2	5	28	110	4,00	-30	80	7,0	25150.0919
25	M 6	–	16,5	20,5	2	6	82	430	5,25	-30	80	14,0	25150.0925
32	M 8	–	21,0	26,0	2	8	140	910	6,50	-30	80	27,0	25150.0932
38	M 8	–	24,5	32,0	2	8	125	1200	9,50	-30	80	43,0	25150.0938
50	M10	–	32,0	43,0	2	10	155	1620	10,50	-30	80	93,0	25150.0950
cu șurub – figura 2, Oțel													
19	M 5	6	12,0	16,0	2	–	28	110	4,00	-30	80	8,0	25150.0819
19	M 5	10	12,0	16,0	2	–	28	110	4,00	-30	80	6,1	25150.0820
19	M 5	20	12,0	16,0	2	–	28	110	4,00	-30	80	8,7	25150.0821
25	M 6	8	16,5	20,5	2	–	82	430	5,25	-30	80	16,0	25150.0825

d ₁	d ₂	Dimensiuni					Forța compresie arc R ~ [N/mm]	Sarcină max. max. [N]	Cursa arc ~ [mm]	Temperatură		Masa [g]	Ref. Nr.
		l ₂	d ₃	l ₁	s	t ~				min.	max.		
[mm]							[°C]						
25	M 6	12	16,5	20,5	2	-	82	430	5,25	-30	80	17,0	25150.0826
25	M 6	25	16,5	20,5	2	-	82	430	5,25	-30	80	19,0	25150.0827
32	M 8	10	21,0	26,0	2	-	140	910	6,50	-30	80	30,0	25150.0832
32	M 8	16	21,0	26,0	2	-	140	910	6,50	-30	80	32,0	25150.0833
32	M 8	30	21,0	26,0	2	-	140	910	6,50	-30	80	36,0	25150.0834
38	M 8	10	24,5	32,0	2	-	125	1200	9,50	-30	80	47,0	25150.0838
38	M 8	16	24,5	32,0	2	-	125	1200	9,50	-30	80	48,0	25150.0839
38	M 8	30	24,5	32,0	2	-	125	1200	9,50	-30	80	52,0	25150.0840
50	M10	12	32,0	43,0	2	-	155	1620	10,50	-30	80	101,0	25150.0850
50	M10	20	32,0	43,0	2	-	155	1620	10,50	-30	80	104,0	25150.0851
50	M10	40	32,0	43,0	2	-	155	1620	10,50	-30	80	112,0	25150.0852
cu șurub – figura 2, Oțel inoxidabil													
19	M 5	6	12,0	16,0	2	-	28	110	4,00	-30	80	8,0	25150.1019
19	M 5	10	12,0	16,0	2	-	28	110	4,00	-30	80	6,1	25150.1020
19	M 5	20	12,0	16,0	2	-	28	110	4,00	-30	80	8,7	25150.1021
25	M 6	8	16,5	20,5	2	-	82	430	5,25	-30	80	16,0	25150.1025
25	M 6	12	16,5	20,5	2	-	82	430	5,25	-30	80	17,0	25150.1026
25	M 6	25	16,5	20,5	2	-	82	430	5,25	-30	80	19,0	25150.1027
32	M 8	10	21,0	26,0	2	-	140	910	6,50	-30	80	30,0	25150.1032
32	M 8	16	21,0	26,0	2	-	140	910	6,50	-30	80	32,0	25150.1033
32	M 8	30	21,0	26,0	2	-	140	910	6,50	-30	80	36,0	25150.1034
38	M 8	10	24,5	32,0	2	-	125	1200	9,50	-30	80	47,0	25150.1038
38	M 8	16	24,5	32,0	2	-	125	1200	9,50	-30	80	48,0	25150.1039
38	M 8	30	24,5	32,0	2	-	125	1200	9,50	-30	80	52,0	25150.1040
50	M10	12	32,0	43,0	2	-	155	1620	10,50	-30	80	101,0	25150.1050
50	M10	20	32,0	43,0	2	-	155	1620	10,50	-30	80	104,0	25150.1051
50	M10	40	32,0	43,0	2	-	155	1620	10,50	-30	80	112,0	25150.1052

Reclamație

Pentru detalii suplimentare despre conformitate, vă rugăm să selectați codul produsului dorit.