

## Amortizor din cauciuc • cilindric

EH 25150.



### Descrierea produsului

Se poate folosi ca opritor elastic, reazăm, etc.

Duritatea este  $55 \pm 5^\circ$  shore A. La cerere, se pot livra și la durități speciale ( $40 \pm 5^\circ$  shore A sau  $70 \pm 5^\circ$  shore A).

### Material

#### Saibă

- Oțel, zincat, cromat albastru
- Oțel inoxidabil 1.4301

#### Bucșă filetată

- Oțel, zincat, cromat albastru
- Oțel inoxidabil 1.4301

#### Corp

- Cauciuc natural (NR), negru

#### Șurub

- Oțel, zincat, cromat albastru
- Oțel inoxidabil 1.4301

### Mai multe informații

#### Produse asociate

- Picioare de susținere, amortizare de impact

### Desen

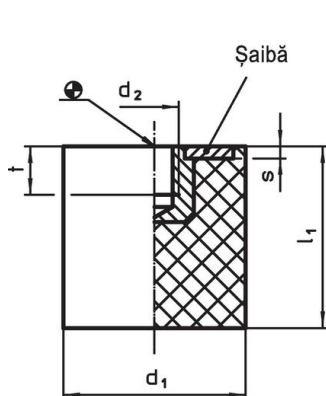


Figura 1

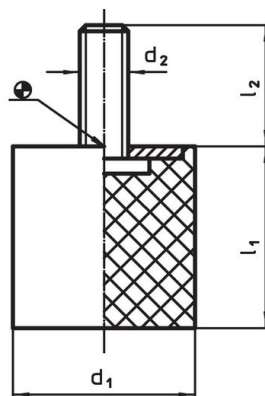






Figura 2

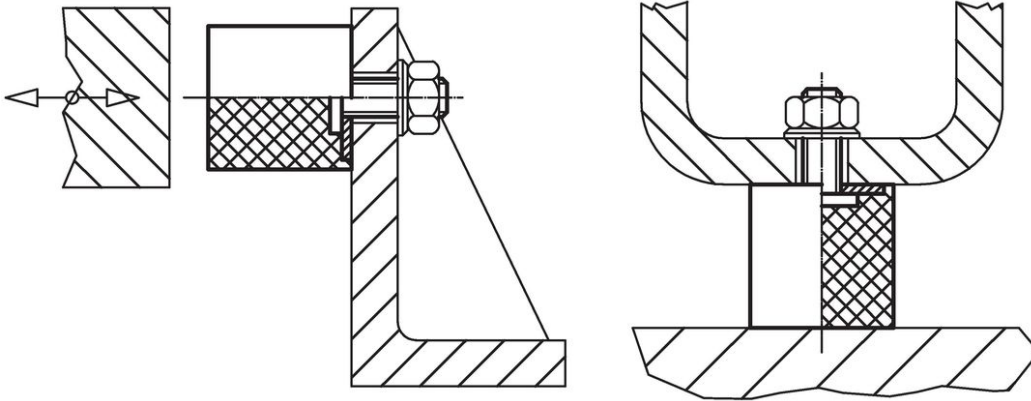
### Informații comandă

Dimensiuni						Forța compresie arc R ~ [N/mm]	Sarcină max. max. [N]	Cursa arc ~ [mm]	Temperatură		Greutate [g]	Ref. Nr.
d <sub>1</sub>	l <sub>1</sub>	d <sub>2</sub>	l <sub>2</sub>	s	t				min.	max.		
[mm]						[°C]						
cu filet interior – figura 1, Oțel												
10	10	M 4	–	1,2	4,0	24	59	2,50	-30	80	1,7	25150.0306
15	15	M 4	–	1,4	4,0	64	241	3,75	-30	80	4,6	25150.0309
15	20	M 4	–	1,4	4,0	57	287	5,00	-30	80	5,7	25150.0310
20	15	M 6	–	2,0	5,0	77	289	3,75	-30	80	10,0	25150.0321
20	20	M 6	–	2,0	5,0	60	302	5,00	-30	80	10,0	25150.0322
20	25	M 6	–	2,0	5,0	48	297	6,25	-30	80	13,0	25150.0323
25	15	M 6	–	2,0	5,0	163	612	3,75	-30	80	14,0	25150.0326
25	20	M 6	–	2,0	5,0	112	560	5,00	-30	80	20,0	25150.0327
25	30	M 6	–	2,0	5,0	68	509	7,50	-30	80	20,0	25150.0328
30	15	M 8	–	2,0	6,5	294	934	3,75	-30	80	20,0	25150.0331
30	20	M 8	–	2,0	6,5	185	924	5,00	-30	80	30,0	25150.0332
30	30	M 8	–	2,0	6,5	117	876	7,50	-30	80	30,0	25150.0333
40	20	M 8	–	2,0	6,5	247	1235	5,00	-30	80	50,0	25150.0341
40	30	M 8	–	2,0	6,5	213	1600	7,50	-30	80	55,0	25150.0342
40	40	M 8	–	2,0	6,5	182	1820	10,00	-30	80	80,0	25150.0343
50	20	M10	–	2,0	7,0	517	2587	5,00	-30	80	80,0	25150.0351
50	30	M10	–	2,0	7,0	327	2453	7,50	-30	80	100,0	25150.0352

d <sub>1</sub>	l <sub>1</sub>	Dimensiuni				t ~	Forța compresie arc R ~ [N/mm]	Sarcină max. max. [N]	Cursa arc ~ [mm]	 min.   max. [°C]		 [g]	Ref. Nr.
		d <sub>2</sub>	l <sub>2</sub>	s	[mm]								
50	40	M10	-	2,0	7,0	247	2468	10,00	-30	80	120,0	25150.0353	
60	30	M10	-	2,0	7,0	467	3500	7,50	-30	80	140,0	25150.0361	
60	50	M10	-	2,0	7,0	269	3367	12,50	-30	80	210,0	25150.0362	
70	40	M10	-	3,0	7,0	410	4100	10,00	-30	80	260,0	25150.0371	
70	55	M10	-	3,0	7,0	327	4500	13,75	-30	80	340,0	25150.0372	
75	30	M12	-	3,0	9,0	600	4500	7,50	-30	80	210,0	25150.0376	
75	40	M12	-	3,0	9,0	450	4500	10,00	-30	80	290,0	25150.0377	
75	50	M12	-	3,0	9,0	352	4400	12,50	-30	80	350,0	25150.0378	
100	40	M16	-	3,0	16,0	810	8100	10,00	-30	80	514,0	25150.0382	
100	50	M16	-	3,0	16,0	640	8000	12,50	-30	80	512,0	25150.0384	
100	60	M16	-	3,0	16,0	520	7800	15,00	-30	80	698,0	25150.0386	
cu șurub – figura 2, Oțel													
8	8	M 3	6	1,0	-	20	40	2,00	-30	80	1,0	25150.0403	
10	10	M 4	10	1,2	-	24	59	2,50	-30	80	1,9	25150.0406	
10	15	M 4	10	1,2	-	21	78	3,75	-30	80	2,4	25150.0407	
15	10	M 4	10	1,4	-	77	154	2,00	-30	80	4,0	25150.0408	
15	15	M 4	10	1,4	-	64	241	3,75	-30	80	5,0	25150.0409	
15	20	M 4	10	1,4	-	57	287	5,00	-30	80	6,2	25150.0410	
15	30	M 4	10	1,4	-	48	300	6,25	-30	80	8,0	25150.0411	
20	10	M 6	18	2,0	-	126	315	2,50	-30	80	10,0	25150.0421	
20	15	M 6	18	2,0	-	77	289	3,75	-30	80	10,0	25150.0422	
20	20	M 6	18	2,0	-	60	302	5,00	-30	80	13,0	25150.0423	
20	30	M 6	18	2,0	-	38	285	7,50	-30	80	20,0	25150.0424	
25	15	M 6	18	2,0	-	163	612	3,75	-30	80	18,0	25150.0426	
25	20	M 6	18	2,0	-	112	560	5,00	-30	80	20,0	25150.0427	
25	30	M 6	18	2,0	-	68	509	7,50	-30	80	25,0	25150.0428	
30	15	M 8	20	2,0	-	294	934	3,75	-30	80	28,0	25150.0431	
30	20	M 8	20	2,0	-	185	924	5,00	-30	80	32,0	25150.0432	
30	25	M 8	20	2,0	-	130	815	6,25	-30	80	38,0	25150.0433	
30	30	M 8	20	2,0	-	117	876	7,50	-30	80	43,0	25150.0434	
40	20	M 8	23	2,0	-	247	1235	5,00	-30	80	55,0	25150.0441	
40	25	M 8	23	2,0	-	247	1546	6,25	-30	80	60,0	25150.0442	
40	30	M 8	23	2,0	-	213	1600	7,50	-30	80	73,0	25150.0443	
40	40	M 8	23	2,0	-	182	1820	10,00	-30	80	83,0	25150.0444	
50	20	M10	28	2,0	-	517	2587	5,00	-30	80	90,0	25150.0451	
50	30	M10	28	2,0	-	327	2453	7,50	-30	80	118,0	25150.0452	
50	40	M10	28	2,0	-	247	2468	10,00	-30	80	140,0	25150.0453	
60	20	M10	28	2,0	-	726	3630	5,00	-30	80	110,0	25150.0461	
60	40	M10	28	2,0	-	340	3400	10,00	-30	80	195,0	25150.0462	
70	40	M10	27	3,0	-	410	4100	10,00	-30	80	265,0	25150.0471	
70	55	M10	27	3,0	-	327	4500	13,75	-30	80	357,0	25150.0472	
75	25	M12	37	3,0	-	752	4700	6,25	-30	80	223,0	25150.0476	
75	40	M12	37	3,0	-	450	4500	10,00	-30	80	310,0	25150.0477	
75	50	M12	37	3,0	-	352	4400	12,50	-30	80	340,0	25150.0478	
100	40	M16	41	3,0	-	810	8100	10,00	-30	80	570,0	25150.0482	
100	50	M16	41	3,0	-	640	8000	12,50	-30	80	656,0	25150.0484	
100	60	M16	41	3,0	-	520	7800	15,00	-30	80	750,0	25150.0486	
cu filet interior – figura 1, Oțel inoxidabil													
10	10	M 4	-	1,2	4,0	24	59	2,50	-30	80	1,7	25150.1306	
15	15	M 4	-	1,4	4,0	64	241	3,75	-30	80	4,6	25150.1309	
15	20	M 4	-	1,4	4,0	57	287	5,00	-30	80	5,7	25150.1310	
20	15	M 6	-	2,0	5,0	77	289	3,75	-30	80	10,0	25150.1321	
20	20	M 6	-	2,0	5,0	60	302	5,00	-30	80	10,0	25150.1322	
20	25	M 6	-	2,0	5,0	48	297	6,25	-30	80	13,0	25150.1323	
25	15	M 6	-	2,0	5,0	163	612	3,75	-30	80	14,0	25150.1326	
25	20	M 6	-	2,0	5,0	112	560	5,00	-30	80	20,0	25150.1327	
25	30	M 6	-	2,0	5,0	68	509	7,50	-30	80	20,0	25150.1328	
30	15	M 8	-	2,0	6,5	294	934	3,75	-30	80	20,0	25150.1331	
30	20	M 8	-	2,0	6,5	185	924	5,00	-30	80	30,0	25150.1332	
30	30	M 8	-	2,0	6,5	117	876	7,50	-30	80	30,0	25150.1333	
40	20	M 8	-	2,0	6,5	247	1235	5,00	-30	80	50,0	25150.1341	

d <sub>1</sub>	l <sub>1</sub>	Dimensiuni				t ~	Forța compresie arc R ~ [N/mm]	Sarcină max. max. [N]	Cursa arc ~ [mm]	 min.   max. [°C]		 [g]	Ref. Nr.
		d <sub>2</sub>	l <sub>2</sub>	s	[mm]								
40	30	M 8	–	2,0	6,5	213	1600	7,50	-30	80	55,0	25150.1342	
40	40	M 8	–	2,0	6,5	182	1820	10,00	-30	80	80,0	25150.1343	
50	20	M10	–	2,0	7,0	517	2587	5,00	-30	80	80,0	25150.1351	
50	30	M10	–	2,0	7,0	327	2453	7,50	-30	80	100,0	25150.1352	
50	40	M10	–	2,0	7,0	247	2468	10,00	-30	80	120,0	25150.1353	
60	30	M10	–	2,0	7,0	467	3500	7,50	-30	80	140,0	25150.1361	
60	50	M10	–	2,0	7,0	269	3367	12,50	-30	80	210,0	25150.1362	
70	40	M10	–	3,0	7,0	410	4100	10,00	-30	80	260,0	25150.1371	
70	55	M10	–	3,0	7,0	327	4500	13,75	-30	80	340,0	25150.1372	
75	30	M12	–	3,0	9,0	600	4500	7,50	-30	80	210,0	25150.1376	
75	40	M12	–	3,0	9,0	450	4500	10,00	-30	80	290,0	25150.1377	
75	50	M12	–	3,0	9,0	352	4400	12,50	-30	80	350,0	25150.1378	
100	40	M16	–	3,0	16,0	810	8100	10,00	-30	80	514,0	25150.1382	
100	50	M16	–	3,0	16,0	640	8000	12,50	-30	80	512,0	25150.1384	
100	60	M16	–	3,0	16,0	520	7800	15,00	-30	80	698,0	25150.1386	
<b>cu șurub – figura 2, Oțel inoxidabil</b>													
8	8	M 3	6	1,0	–	20	40	2,00	-30	80	1,0	25150.1403	
10	10	M 4	10	1,2	–	24	59	2,50	-30	80	1,9	25150.1406	
10	15	M 4	10	1,2	–	21	78	3,75	-30	80	2,4	25150.1407	
15	10	M 4	10	1,4	–	77	154	2,00	-30	80	4,0	25150.1408	
15	15	M 4	10	1,4	–	64	241	3,75	-30	80	5,0	25150.1409	
15	20	M 4	10	1,4	–	57	287	5,00	-30	80	6,2	25150.1410	
15	30	M 4	10	1,4	–	48	300	6,25	-30	80	8,0	25150.1411	
20	10	M 6	18	2,0	–	126	315	2,50	-30	80	10,0	25150.1421	
20	15	M 6	18	2,0	–	77	289	3,75	-30	80	10,0	25150.1422	
20	20	M 6	18	2,0	–	60	302	5,00	-30	80	13,0	25150.1423	
20	30	M 6	18	2,0	–	38	285	7,50	-30	80	20,0	25150.1424	
25	15	M 6	18	2,0	–	163	612	3,75	-30	80	18,0	25150.1426	
25	20	M 6	18	2,0	–	112	560	5,00	-30	80	20,0	25150.1427	
25	30	M 6	18	2,0	–	68	509	7,50	-30	80	25,0	25150.1428	
30	15	M 8	20	2,0	–	294	934	3,75	-30	80	28,0	25150.1431	
30	20	M 8	20	2,0	–	185	924	5,00	-30	80	32,0	25150.1432	
30	25	M 8	20	2,0	–	130	815	6,25	-30	80	38,0	25150.1433	
30	30	M 8	20	2,0	–	117	876	7,50	-30	80	43,0	25150.1434	
40	20	M 8	23	2,0	–	247	1235	5,00	-30	80	55,0	25150.1441	
40	25	M 8	23	2,0	–	247	1546	6,25	-30	80	60,0	25150.1442	
40	30	M 8	23	2,0	–	213	1600	7,50	-30	80	73,0	25150.1443	
40	40	M 8	23	2,0	–	182	1820	10,00	-30	80	83,0	25150.1444	
50	20	M10	28	2,0	–	517	2587	5,00	-30	80	90,0	25150.1451	
50	30	M10	28	2,0	–	327	2453	7,50	-30	80	118,0	25150.1452	
50	40	M10	28	2,0	–	247	2468	10,00	-30	80	140,0	25150.1453	
60	20	M10	28	2,0	–	726	3630	5,00	-30	80	110,0	25150.1461	
60	40	M10	28	2,0	–	340	3400	10,00	-30	80	195,0	25150.1462	
70	40	M10	27	3,0	–	410	4100	10,00	-30	80	265,0	25150.1471	
70	55	M10	27	3,0	–	327	4500	13,75	-30	80	357,0	25150.1472	
75	25	M12	37	3,0	–	752	4700	6,25	-30	80	223,0	25150.1476	
75	40	M12	37	3,0	–	450	4500	10,00	-30	80	310,0	25150.1477	
75	50	M12	37	3,0	–	352	4400	12,50	-30	80	340,0	25150.1478	
100	40	M16	41	3,0	–	810	8100	10,00	-30	80	570,0	25150.1482	
100	50	M16	41	3,0	–	640	8000	12,50	-30	80	656,0	25150.1484	
100	60	M16	41	3,0	–	520	7800	15,00	-30	80	750,0	25150.1486	

### Exemplu de aplicație



### Reclamație

Pentru detalii suplimentare despre conformitate, vă rugăm să selectați codul produsului dorit.