

Amortizor din cauciuc și metal • cilindric

EH 25150.



Descrierea produsului

Se folosește pentru fixarea elastică a motoarelor, compresoarelor, pompelor etc. Duritatea este $55 \pm 5^\circ$ shore A. La cerere, se pot livra și la durități speciale ($40 \pm 5^\circ$ shore A sau $70 \pm 5^\circ$ shore A).

Material

Saibă

- Oțel, zincat, cromat albastru

Bucșă filetată

- Oțel, zincat, cromat albastru

Corp

- Cauciuc natural (NR), negru

Șurub

- Oțel, zincat, cromat albastru

Desen

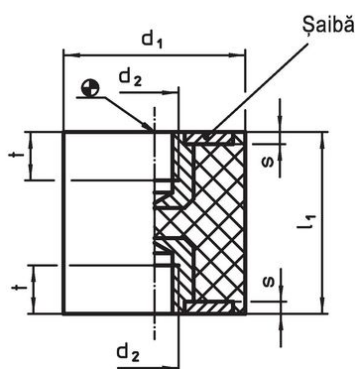


Figura 1

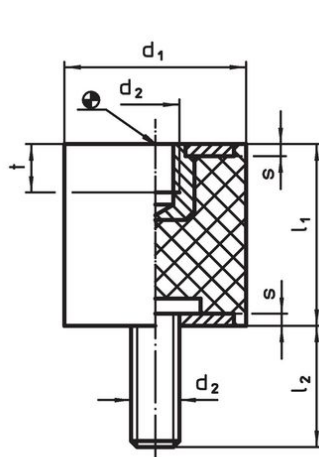


Figura 2

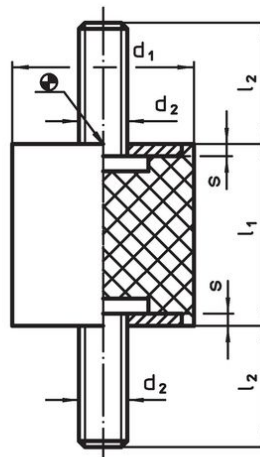




Figura 3

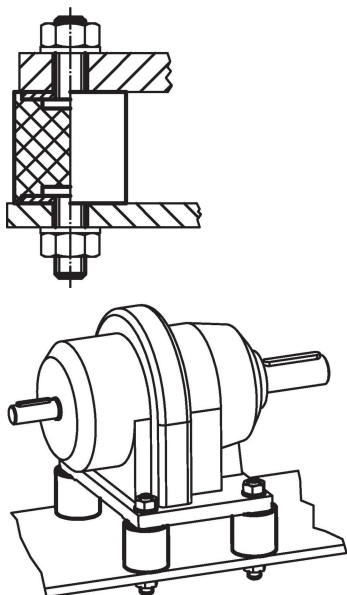
Informații comandă

Dimensiuni						Forța compresie arc R ~ [N/mm]	Sarcină max. max. [N]	Cursa arc ~ [mm]	Temperatură		Greutate [g]	Ref. Nr.
d ₁ ±1,5	l ₁ ±1,5	d ₂	l ₂	s	t ~				min.	max.		
[mm]												
cu filet interior pe ambele fețe – figura 1												
8	8	M 3	–	1,0	3,0	38	75	2,00	-30	80	1,0	25150.0003
10	10	M 4	–	1,2	4,0	36	90	2,50	-30	80	2,5	25150.0006
10	15	M 4	–	1,2	4,0	17	65	3,75	-30	80	2,9	25150.0007
15	10	M 4	–	1,4	4,0	80	200	2,50	-30	80	5,2	25150.0008
15	15	M 4	–	1,4	4,0	36	135	3,75	-30	80	6,2	25150.0009
15	20	M 4	–	1,4	4,0	30	152	5,00	-30	80	7,4	25150.0010
20	15	M 6	–	2,0	5,0	95	355	3,75	-30	80	13,0	25150.0021
20	20	M 6	–	2,0	5,0	53	267	5,00	-30	80	14,0	25150.0022
20	25	M 6	–	2,0	5,0	50	315	6,25	-30	80	16,0	25150.0023
25	20	M 6	–	2,0	5,0	121	605	5,00	-30	80	22,0	25150.0026
25	25	M 6	–	2,0	5,0	85	530	6,25	-30	80	30,0	25150.0027
25	30	M 6	–	2,0	5,0	77	575	7,50	-30	80	30,0	25150.0028
30	30	M 8	–	2,0	6,5	114	855	7,50	-30	80	50,0	25150.0031
30	40	M 8	–	2,0	6,5	76	757	10,00	-30	80	50,0	25150.0032
40	30	M 8	–	2,0	6,5	205	1535	7,50	-30	80	80,0	25150.0041
40	40	M 8	–	2,0	6,5	164	1635	10,00	-30	80	100,0	25150.0042
50	30	M10	–	2,0	7,0	343	2570	7,50	-30	80	130,0	25150.0051

d ₁ ±1,5	l ₁ ±1,5	Dimensiuni				s	t ~	Forța compresie arc R ~ [N/mm]	Sarcină max. max. [N]	Cursa arc ~ [mm]	min. max. [°C]		[g]	Ref. Nr.
		d ₂	l ₂	[mm]										
50	40	M10	-	2,0	7,0	245	2445	10,00	-30	80	150,0	25150.0052		
50	50	M10	-	2,0	7,0	178	2225	12,50	-30	80	166,0	25150.0053		
60	30	M10	-	2,0	7,0	453	3400	7,50	-30	80	190,0	25150.0061		
60	40	M10	-	2,0	7,0	330	3300	10,00	-30	80	220,0	25150.0062		
70	45	M10	-	3,0	7,0	356	4000	11,25	-30	80	340,0	25150.0071		
75	40	M12	-	3,0	9,0	465	4650	10,00	-30	80	360,0	25150.0076		
75	55	M12	-	3,0	9,0	327	4500	13,75	-30	80	450,0	25150.0077		
cu filet interior și piuliță – figura 2														
8	8	M 3	6	1,0	3,0	38	75	2,00	-30	80	1,2	25150.0103		
10	10	M 4	10	1,2	4,0	36	90	2,50	-30	80	2,4	25150.0106		
10	15	M 4	10	1,2	4,0	17	65	3,75	-30	80	2,8	25150.0107		
15	10	M 4	10	1,4	4,0	80	200	2,50	-30	80	5,7	25150.0108		
15	15	M 4	10	1,4	4,0	35	130	3,75	-30	80	6,6	25150.0109		
15	20	M 4	10	1,4	4,0	30	150	5,00	-30	80	7,6	25150.0110		
20	15	M 6	18	2,0	5,0	95	355	3,75	-30	80	15,0	25150.0121		
20	20	M 6	18	2,0	5,0	53	265	5,00	-30	80	17,0	25150.0122		
20	25	M 6	18	2,0	5,0	50	315	6,25	-30	80	18,0	25150.0123		
25	15	M 6	18	2,0	5,0	184	690	3,75	-30	80	26,0	25150.0126		
25	20	M 6	18	2,0	5,0	121	605	5,00	-30	80	26,0	25150.0127		
25	30	M 6	18	2,0	5,0	76	570	7,50	-30	80	36,0	25150.0128		
30	15	M 8	20	2,0	6,5	143	535	3,75	-30	80	41,0	25150.0131		
30	30	M 8	20	2,0	6,5	113	850	7,50	-30	80	50,0	25150.0132		
40	20	M 8	23	2,0	6,5	302	1510	5,00	-30	80	72,0	25150.0141		
40	30	M 8	23	2,0	6,5	204	1530	7,50	-30	80	85,0	25150.0142		
40	40	M 8	23	2,0	6,5	163	1630	10,00	-30	80	98,0	25150.0143		
50	20	M10	28	2,0	7,0	720	3600	5,00	-30	80	115,0	25150.0151		
50	30	M10	28	2,0	7,0	343	2575	7,50	-30	80	135,0	25150.0152		
50	40	M10	28	2,0	7,0	244	2440	10,00	-30	80	160,0	25150.0153		
50	50	M10	28	2,0	7,0	176	2200	12,50	-30	80	185,0	25150.0154		
60	30	M10	28	2,0	7,0	453	3400	7,50	-30	80	200,0	25150.0161		
60	40	M10	28	2,0	7,0	333	3330	10,00	-30	80	220,0	25150.0162		
70	45	M10	27	3,0	7,0	356	4000	11,25	-30	80	372,0	25150.0171		
75	40	M12	37	3,0	9,0	460	4600	10,00	-30	80	385,0	25150.0176		
75	55	M12	37	3,0	9,0	328	4510	13,75	-30	80	453,0	25150.0177		
cu șurub pe ambele fețe – figura 3														
8	8	M 3	6	1,0	-	35	70	2,00	-30	80	1,4	25150.0203		
10	10	M 4	10	1,2	-	36	89	2,50	-30	80	3,0	25150.0206		
10	15	M 4	10	1,2	-	16	60	3,75	-30	80	3,5	25150.0207		
15	10	M 4	10	1,4	-	79	198	2,50	-30	80	6,1	25150.0208		
15	15	M 4	10	1,4	-	33	125	3,75	-30	80	7,1	25150.0209		
15	20	M 4	10	1,4	-	29	145	5,00	-30	80	8,1	25150.0210		
20	15	M 6	18	2,0	-	94	352	3,75	-30	80	18,0	25150.0221		
20	20	M 6	18	2,0	-	52	260	5,00	-30	80	19,0	25150.0222		
20	25	M 6	18	2,0	-	50	310	6,25	-30	80	20,0	25150.0223		
25	15	M 6	18	2,0	-	183	687	3,75	-30	80	28,0	25150.0226		
25	20	M 6	18	2,0	-	120	602	5,00	-30	80	32,0	25150.0227		
25	30	M 6	18	2,0	-	75	562	7,50	-30	80	39,0	25150.0228		
30	15	M 8	20	2,0	-	142	534	3,75	-30	80	45,0	25150.0231		
30	30	M 8	20	2,0	-	112	843	7,50	-30	80	58,0	25150.0232		
40	20	M 8	23	2,0	-	300	1500	5,00	-30	80	80,0	25150.0241		
40	30	M 8	23	2,0	-	204	1527	7,50	-30	80	95,0	25150.0242		
40	40	M 8	23	2,0	-	162	1620	10,00	-30	80	100,0	25150.0243		
50	20	M10	28	2,0	-	718	3589	5,00	-30	80	130,0	25150.0251		
50	30	M10	28	2,0	-	343	2570	7,50	-30	80	150,0	25150.0252		
50	40	M10	28	2,0	-	244	2436	10,00	-30	80	170,0	25150.0253		
50	50	M10	28	2,0	-	176	2198	12,50	-30	80	187,0	25150.0254		
60	30	M10	28	2,0	-	453	3400	7,50	-30	80	210,0	25150.0261		

Dimensiuni						Forța compresie arc R ~ [N/mm]	Sarcină max. max. [N]	Cursa arc ~ [mm]	 min. max. [°C]		 [g]	Ref. Nr.
d ₁ ±1,5	l ₁ ±1,5	d ₂	l ₂	s	t ~				[mm]			
60	40	M10	28	2,0	-	330	3300	10,00	-30	80	236,0	25150.0262
70	45	M10	27	3,0	-	356	4000	11,25	-30	80	380,0	25150.0271
75	40	M12	37	3,0	-	450	4500	10,00	-30	80	410,0	25150.0276
75	55	M12	37	3,0	-	320	4400	13,75	-30	80	515,0	25150.0277

Exemplu de aplicație



Reclamație

Conform RoHS

Conține plumb – conform excepțiilor 6a / 6b / 6c.

Conține substanțe SVHC >0,1% w/w

Conține plumb - lista SVHC [REACH] din 27.06.2024.

Conține substanțe din Declarația 65



Prin expunere plumbul poate provoca cancer și afectarea fertilității
<https://www.P65Warnings.ca.gov/>

Nu conține Minerale de conflict

Acest produs nu conține substanțe desemnate drept „minerale de conflict” precum tantalul, staniul, aurul sau wolfram din Republica Democratică Congo sau din țările adiacente.