

Șuruburi molețate · plastic EH 24830.



Descrierea produsului

Material

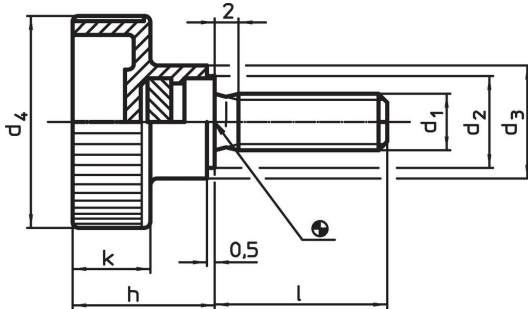
Măner

- Termoplastic PA, negru

Șurub



- Oțel, zincat prin galvanizare
- Oțel inoxidabil 1.4567

Desen

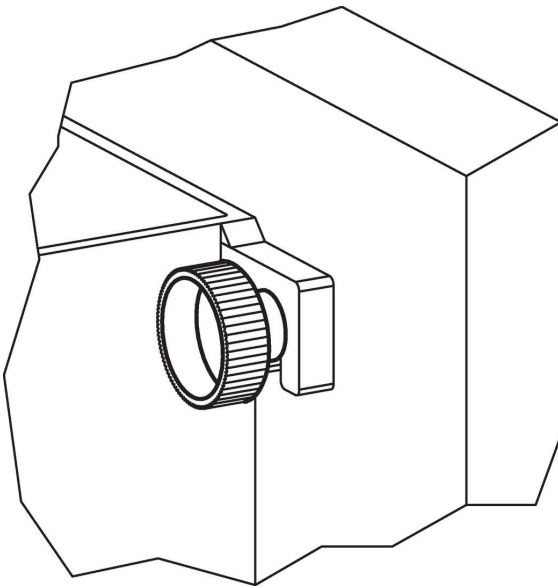


Informații comandă

Dimensiuni							min.	max.	[g]	Ref. Nr.
d ₁	l	d ₂	d ₃	d ₄	h	k				
Oțel										
M 4	10	9	12	19	14,0	8,0	-30	80	3,8	24830.0030
M 4	15	9	12	19	14,0	8,0	-30	80	4,0	24830.0032
M 4	20	9	12	19	14,0	8,0	-30	80	4,2	24830.0034
M 4	30	9	12	19	14,0	8,0	-30	80	7,0	24830.0036
M 5	10	9	12	19	14,0	8,0	-30	80	4,3	24830.0042
M 5	15	9	12	19	14,0	8,0	-30	80	5,0	24830.0043
M 5	20	9	12	19	14,0	8,0	-30	80	5,5	24830.0045
M 5	25	9	12	19	14,0	8,0	-30	80	6,0	24830.0046
M 6	10	12	14	24	16,5	9,5	-30	80	7,0	24830.0050
M 6	16	12	14	24	16,5	9,5	-30	80	7,9	24830.0053
M 6	20	12	14	24	16,5	9,5	-30	80	8,5	24830.0054
M 6	25	12	14	24	16,5	9,5	-30	80	9,0	24830.0055
M 6	30	12	14	24	16,5	9,5	-30	80	10,0	24830.0057
M 8	16	14	16	30	19,5	11,0	-30	80	14,0	24830.0060
M 8	20	14	16	30	19,5	11,0	-30	80	16,0	24830.0062
M 8	25	14	16	30	19,5	11,0	-30	80	17,0	24830.0064
M 8	30	14	16	30	19,5	11,0	-30	80	19,0	24830.0065
M 8	40	14	16	30	19,5	11,0	-30	80	20,0	24830.0067
M10	20	16	18	36	22,5	12,5	-30	80	30,0	24830.0070
M10	25	16	18	36	22,5	12,5	-30	80	31,0	24830.0072
M10	30	16	18	36	22,5	12,5	-30	80	33,0	24830.0074
M10	40	16	18	36	22,5	12,5	-30	80	38,0	24830.0076
Oțel inoxidabil										
M 5	10	9	12	19	14,0	8,0	-30	80	4,3	24830.0242
M 5	15	9	12	19	14,0	8,0	-30	80	5,0	24830.0243
M 5	20	9	12	19	14,0	8,0	-30	80	5,5	24830.0245
M 5	25	9	12	19	14,0	8,0	-30	80	6,0	24830.0246
M 6	10	12	14	24	16,5	9,5	-30	80	7,0	24830.0250
M 6	16	12	14	24	16,5	9,5	-30	80	7,9	24830.0253
M 6	20	12	14	24	16,5	9,5	-30	80	8,5	24830.0254
M 6	25	12	14	24	16,5	9,5	-30	80	9,0	24830.0255

d ₁	l	d ₂	Dimensiuni				h	k	 min. max.		 [g]	Ref. Nr.
			d ₃	d ₄	[mm]				[°C]			
M 6	30	12	14	24	16,5	9,5	-30	80	10,0	24830.0257		
M 8	20	14	16	30	19,5	11,0	-30	80	16,0	24830.0262		
M 8	25	14	16	30	19,5	11,0	-30	80	17,0	24830.0264		
M 8	30	14	16	30	19,5	11,0	-30	80	19,0	24830.0265		
M 8	40	14	16	30	19,5	11,0	-30	80	20,0	24830.0267		
M10	20	16	18	36	22,5	12,5	-30	80	30,0	24830.0270		
M10	25	16	18	36	22,5	12,5	-30	80	31,0	24830.0272		
M10	30	16	18	36	22,5	12,5	-30	80	33,0	24830.0274		
M10	45	16	18	36	22,5	12,5	-30	80	38,0	24830.0278		
M10	55	16	18	36	22,5	12,5	-30	80	48,0	24830.0280		

Exemplu de aplicație



Reclamație

Pentru detalii suplimentare despre conformitate, vă rugăm să selectați codul produsului dorit.