

## Șuruburi moletate înalte • DIN 464

EH 24790.



### Descrierea produsului

Knurled thumb screws are very versatile. Three material versions for the different requirements

- steel, blackened
- steel, zinc-plated by galvanization
- stainless steel

are available.

Knurled thumb screws can be easily tightened and released by hand. The ribbed outer surface of the nut prevents slipping when tightening / releasing with the fingers.

Toate șuruburile moletate sunt produse dintr-o singură bucată. Contrar fișei oficiale a standardului, toate șuruburile au filetul până la cap, dar fără nici un canal la capătul filetului.

### Material

- Oțel, brunat, calitatea 5.8
- Steel, zinc-plated by galvanization, quality 5.8
- Oțel inoxidabil 1.4305, sablare mată

### Mai multe informații

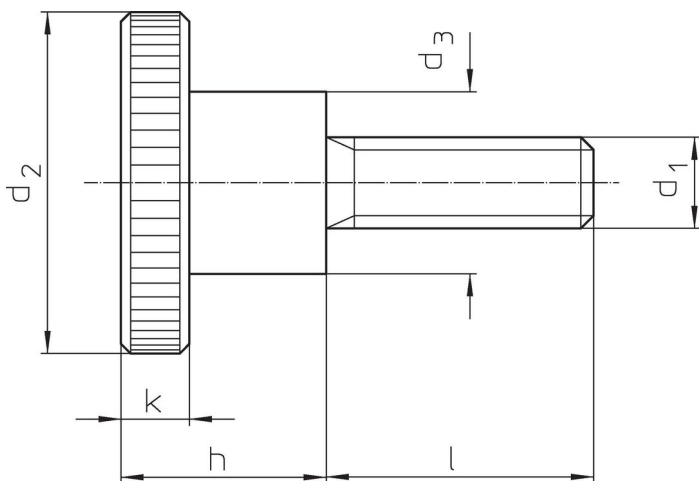
#### Note

Înclinația filetului sau adâncimea poate să difere față de standardul DIN.

#### Produse asociate


- Șuruburi plate moletate, DIN 653

### Desen



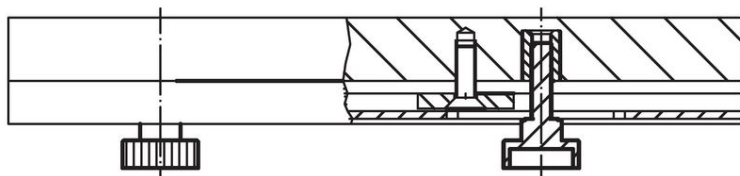
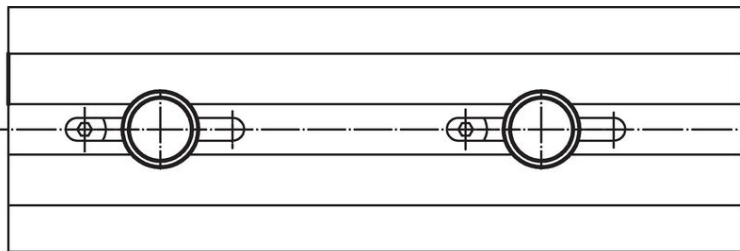
### Informații comandă

d <sub>1</sub>	l	d <sub>2</sub>	Dimensiuni			k	[g]	Ref. Nr.
			d <sub>3</sub>	h	[mm]			
<b>Oțel, brunat, calitatea 5.8</b>								
M 3	6	12	6	7,5	2,5	3,7	24790.0074	
M 3	10	12	6	7,5	2,5	3,8	24790.0076	
M 3	12	12	6	7,5	2,5	4,0	24790.0077	
M 3	16	12	6	7,5	2,5	4,0	24790.0079	
M 3	20	12	6	7,5	2,5	4,5	24790.0081	
M 4	5	16	8	9,5	3,5	7,7	24790.0092	
M 4	8	16	8	9,5	3,5	8,0	24790.0094	
M 4	10	16	8	9,5	3,5	8,1	24790.0095	
M 4	12	16	8	9,5	3,5	8,6	24790.0096	
M 4	16	16	8	9,5	3,5	8,4	24790.0098	
M 4	20	16	8	9,5	3,5	9,1	24790.0100	
M 4	25	16	8	9,5	3,5	9,0	24790.0102	
M 5	6	20	10	11,5	4,0	14,0	24790.0112	
M 5	8	20	10	11,5	4,0	15,0	24790.0113	
M 5	10	20	10	11,5	4,0	15,0	24790.0114	
M 5	12	20	10	11,5	4,0	15,0	24790.0115	
M 5	16	20	10	11,5	4,0	16,0	24790.0117	

d <sub>1</sub>	l	Dimensiuni			h	k	 [g]	Ref. Nr.
		d <sub>2</sub>	d <sub>3</sub> [mm]					
M 5	20	20	10	11,5	4,0	16,0	24790.0119	
M 5	25	20	10	11,5	4,0	17,0	24790.0121	
M 5	30	20	10	11,5	4,0	17,0	24790.0123	
M 6	8	24	12	15,0	5,0	28,0	24790.0132	
M 6	10	24	12	15,0	5,0	27,0	24790.0133	
M 6	12	24	12	15,0	5,0	28,0	24790.0134	
M 6	16	24	12	15,0	5,0	28,0	24790.0136	
M 6	20	24	12	15,0	5,0	29,0	24790.0138	
M 6	25	24	12	15,0	5,0	30,0	24790.0140	
M 6	30	24	12	15,0	5,0	31,0	24790.0142	
M 6	35	24	12	15,0	5,0	31,0	24790.0144	
M 8	12	30	16	18,0	6,0	53,0	24790.0152	
M 8	16	30	16	18,0	6,0	55,0	24790.0154	
M 8	20	30	16	18,0	6,0	56,0	24790.0156	
M 8	25	30	16	18,0	6,0	58,0	24790.0158	
M 8	30	30	16	18,0	6,0	60,0	24790.0160	
M 8	35	30	16	18,0	6,0	62,0	24790.0162	
M 8	40	30	16	18,0	6,0	61,0	24790.0164	
M10	15	36	20	23,0	8,0	104,0	24790.0171	
M10	20	36	20	23,0	8,0	106,0	24790.0173	
M10	25	36	20	23,0	8,0	109,0	24790.0175	
M10	30	36	20	23,0	8,0	112,0	24790.0177	
M10	35	36	20	23,0	8,0	116,0	24790.0179	
M10	40	36	20	23,0	8,0	116,0	24790.0181	
<b>Oțel, zincat prin galvanizare</b>								
M 3	6	12	6	7,5	2,5	4,0	24790.0474	
M 3	8	12	6	7,5	2,5	4,0	24790.0475	
M 3	10	12	6	7,5	2,5	4,0	24790.0476	
M 3	12	12	6	7,5	2,5	4,0	24790.0477	
M 3	16	12	6	7,5	2,5	5,0	24790.0479	
M 3	20	12	6	7,5	2,5	5,0	24790.0481	
M 4	5	16	8	9,5	3,5	9,0	24790.0492	
M 4	8	16	8	9,5	3,5	8,0	24790.0494	
M 4	10	16	8	9,5	3,5	8,0	24790.0495	
M 4	12	16	8	9,5	3,5	8,0	24790.0496	
M 4	16	16	8	9,5	3,5	8,0	24790.0498	
M 4	20	16	8	9,5	3,5	9,0	24790.0500	
M 4	25	16	8	9,5	3,5	9,0	24790.0502	
M 5	6	20	10	11,5	4,0	15,0	24790.0512	
M 5	8	20	10	11,5	4,0	15,0	24790.0513	
M 5	10	20	10	11,5	4,0	15,0	24790.0514	
M 5	12	20	10	11,5	4,0	14,0	24790.0515	
M 5	16	20	10	11,5	4,0	15,0	24790.0517	
M 5	20	20	10	11,5	4,0	16,0	24790.0519	
M 5	25	20	10	11,5	4,0	16,0	24790.0521	
M 5	30	20	10	11,5	4,0	17,0	24790.0523	
M 6	8	24	12	15,0	5,0	27,0	24790.0532	
M 6	10	24	12	15,0	5,0	27,0	24790.0533	
M 6	12	24	12	15,0	5,0	27,0	24790.0534	
M 6	16	24	12	15,0	5,0	28,0	24790.0536	
M 6	20	24	12	15,0	5,0	29,0	24790.0538	
M 6	25	24	12	15,0	5,0	28,0	24790.0540	
M 6	30	24	12	15,0	5,0	30,0	24790.0542	
M 6	35	24	12	15,0	5,0	31,0	24790.0544	
M 8	12	30	16	18,0	6,0	55,0	24790.0552	
M 8	16	30	16	18,0	6,0	55,0	24790.0554	
M 8	20	30	16	18,0	6,0	56,0	24790.0556	
M 8	25	30	16	18,0	6,0	58,0	24790.0558	
M 8	30	30	16	18,0	6,0	50,0	24790.0560	
M 8	35	30	16	18,0	6,0	63,0	24790.0562	
M 8	40	30	16	18,0	6,0	62,0	24790.0564	
M10	12	36	20	23,0	8,0	105,0	24790.0570	

d <sub>1</sub>	l	Dimensiuni			h	k	[g]	Ref. Nr.
		d <sub>2</sub>	d <sub>3</sub>	[mm]				
M10	15	36	20	23,0	8,0	106,0	24790.0571	
M10	20	36	20	23,0	8,0	107,0	24790.0573	
M10	25	36	20	23,0	8,0	110,0	24790.0575	
M10	30	36	20	23,0	8,0	112,0	24790.0577	
M10	35	36	20	23,0	8,0	115,0	24790.0579	
M10	40	36	20	23,0	8,0	116,0	24790.0581	
<b>Oțel inoxidabil 1.4305</b>								
M 3	6	12	6	7,5	2,5	3,7	24790.0274	
M 3	10	12	6	7,5	2,5	3,8	24790.0276	
M 3	12	12	6	7,5	2,5	4,0	24790.0277	
M 3	16	12	6	7,5	2,5	4,0	24790.0279	
M 4	8	16	8	9,5	3,5	8,0	24790.0294	
M 4	10	16	8	9,5	3,5	8,1	24790.0295	
M 4	12	16	8	9,5	3,5	8,6	24790.0296	
M 4	16	16	8	9,5	3,5	8,4	24790.0298	
M 4	20	16	8	9,5	3,5	9,1	24790.0300	
M 4	25	16	8	9,5	3,5	9,0	24790.0302	
M 5	10	20	10	11,5	4,0	15,0	24790.0314	
M 5	12	20	10	11,5	4,0	15,0	24790.0315	
M 5	16	20	10	11,5	4,0	16,0	24790.0317	
M 5	20	20	10	11,5	4,0	16,0	24790.0319	
M 5	25	20	10	11,5	4,0	17,0	24790.0321	
M 5	30	20	10	11,5	4,0	17,0	24790.0323	
M 6	12	24	12	15,0	5,0	28,0	24790.0334	
M 6	16	24	12	15,0	5,0	28,0	24790.0336	
M 6	20	24	12	15,0	5,0	29,0	24790.0338	
M 6	25	24	12	15,0	5,0	30,0	24790.0340	
M 6	30	24	12	15,0	5,0	31,0	24790.0342	
M 6	35	24	12	15,0	5,0	31,0	24790.0344	
M 8	16	30	16	18,0	6,0	55,0	24790.0354	
M 8	20	30	16	18,0	6,0	56,0	24790.0356	
M 8	25	30	16	18,0	6,0	58,0	24790.0358	
M 8	30	30	16	18,0	6,0	60,0	24790.0360	
M 8	35	30	16	18,0	6,0	62,0	24790.0362	

#### Exemplu de aplicație



#### Reclamație

Pentru detalii suplimentare despre conformitate, vă rugăm să selectați codul produsului dorit.