

## Șuruburi pt. mâner stea • plastic EH 24750.



### Descrierea produsului

#### Material

##### Capac

- Termoplastic PA, negru similar RAL 9005
- Termoplastic PA, alb similar RAL 9019
- Termoplastic PA, portocaliu similar RAL 2004
- Termoplastic PA, galben similar RAL 1016
- Termoplastic PA, albastru similar RAL 5015

##### Mâner

- Termoplastic PA 6, negru similar RAL 9005

##### Șurub

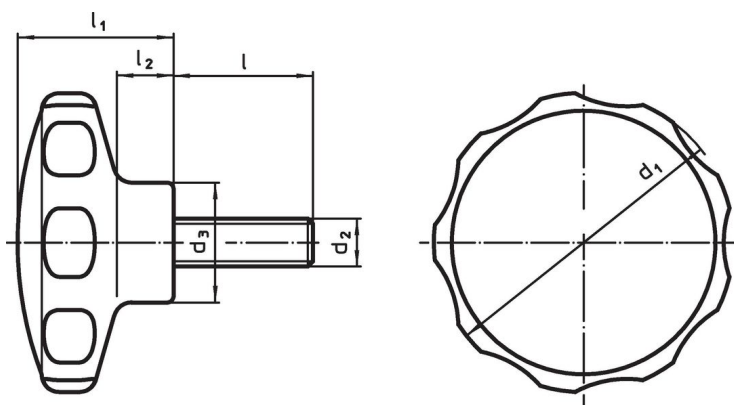
- Oțel inoxidabil

#### Mai multe informații

#### Note



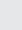
Variante speciale, de ex. diferite filete sau diferite lungimi ale filetelor sunt posibile la cerere.

### Desen



### Informații comandă

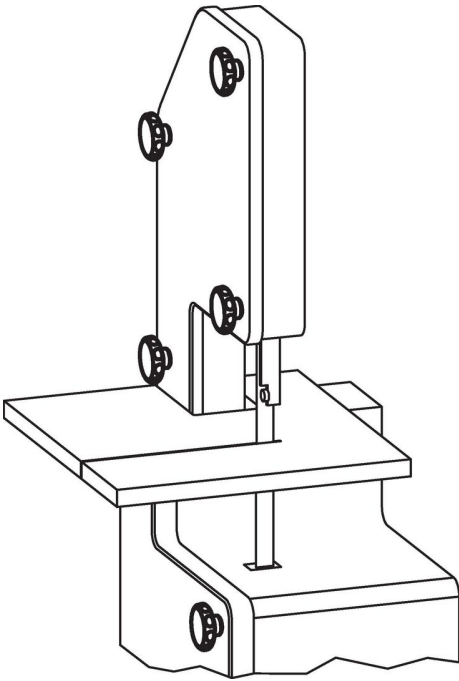
| Dimensiuni     |                |    |                |                |                |      | min. | max. | [g]  | Ref. Nr.   |
|----------------|----------------|----|----------------|----------------|----------------|------|------|------|------|------------|
| d <sub>1</sub> | d <sub>2</sub> | l  | d <sub>3</sub> | l <sub>1</sub> | l <sub>2</sub> | [mm] |      |      |      |            |
| negru          |                |    |                |                |                |      |      |      |      |            |
| 30             | M 4            | 10 | 14,0           | 19             | 7              |      | -30  | 80   | 6,1  | 24750.0100 |
| 30             | M 4            | 14 | 14,0           | 19             | 7              |      | -30  | 80   | 6,6  | 24750.0110 |
| 30             | M 4            | 18 | 14,0           | 19             | 7              |      | -30  | 80   | 6,9  | 24750.0120 |
| 30             | M 4            | 23 | 14,0           | 19             | 7              |      | -30  | 80   | 7,3  | 24750.0130 |
| 30             | M 4            | 28 | 14,0           | 19             | 7              |      | -30  | 80   | 7,7  | 24750.0140 |
| 30             | M 5            | 10 | 14,0           | 19             | 7              |      | -30  | 80   | 7,5  | 24750.0150 |
| 30             | M 5            | 14 | 14,0           | 19             | 7              |      | -30  | 80   | 7,9  | 24750.0160 |
| 30             | M 5            | 18 | 14,0           | 19             | 7              |      | -30  | 80   | 8,4  | 24750.0170 |
| 30             | M 5            | 23 | 14,0           | 19             | 7              |      | -30  | 80   | 9,0  | 24750.0180 |
| 30             | M 5            | 28 | 14,0           | 19             | 7              |      | -30  | 80   | 9,0  | 24750.0190 |
| 40             | M 5            | 10 | 16,5           | 22             | 9              |      | -30  | 80   | 9,6  | 24750.0200 |
| 40             | M 5            | 14 | 16,5           | 22             | 9              |      | -30  | 80   | 10,0 | 24750.0210 |
| 40             | M 5            | 18 | 16,5           | 22             | 9              |      | -30  | 80   | 11,0 | 24750.0220 |
| 40             | M 5            | 23 | 16,5           | 22             | 9              |      | -30  | 80   | 12,0 | 24750.0230 |
| 40             | M 5            | 28 | 16,5           | 22             | 9              |      | -30  | 80   | 12,0 | 24750.0240 |
| 40             | M 6            | 14 | 16,5           | 22             | 9              |      | -30  | 80   | 12,0 | 24750.0250 |
| 40             | M 6            | 18 | 16,5           | 22             | 9              |      | -30  | 80   | 13,0 | 24750.0260 |
| 40             | M 6            | 23 | 16,5           | 22             | 9              |      | -30  | 80   | 14,0 | 24750.0270 |
| 40             | M 6            | 28 | 16,5           | 22             | 9              |      | -30  | 80   | 15,0 | 24750.0280 |
| 40             | M 6            | 38 | 16,5           | 22             | 9              |      | -30  | 80   | 16,0 | 24750.0290 |
| 50             | M 6            | 14 | 22,0           | 26             | 10             |      | -30  | 80   | 19,0 | 24750.0300 |
| 50             | M 6            | 18 | 22,0           | 26             | 10             |      | -30  | 80   | 19,0 | 24750.0310 |

| Dimensiuni     |                |    |                |                |                | <br>min. max. |    | <br>[g] | Ref. Nr.                   |
|----------------|----------------|----|----------------|----------------|----------------|--|----|--|----------------------------|
| d <sub>1</sub> | d <sub>2</sub> | l  | d <sub>3</sub> | l <sub>1</sub> | l <sub>2</sub> | <br>[°C]      |    |  |                            |
| [mm]           |                |    |                |                |                |  |    |  |                            |
| 50             | M 6            | 23 | 22,0           | 26             | 10             | -30  | 80 | 20,0   | <a href="#">24750.0320</a> |
| 50             | M 6            | 28 | 22,0           | 26             | 10             | -30  | 80 | 21,0   | <a href="#">24750.0330</a> |
| 50             | M 6            | 38 | 22,0           | 26             | 10             | -30  | 80 | 23,0   | <a href="#">24750.0340</a> |
| 50             | M 8            | 18 | 22,0           | 26             | 10             | -30  | 80 | 26,0   | <a href="#">24750.0350</a> |
| 50             | M 8            | 23 | 22,0           | 26             | 10             | -30  | 80 | 27,0   | <a href="#">24750.0360</a> |
| 50             | M 8            | 28 | 22,0           | 26             | 10             | -30  | 80 | 29,0   | <a href="#">24750.0370</a> |
| 50             | M 8            | 38 | 22,0           | 26             | 10             | -30  | 80 | 32,0   | <a href="#">24750.0380</a> |
| 50             | M 8            | 48 | 22,0           | 26             | 10             | -30  | 80 | 35,0   | <a href="#">24750.0390</a> |
| 62             | M 8            | 18 | 22,0           | 35             | 13             | -30  | 80 | 40,0   | <a href="#">24750.0400</a> |
| 62             | M 8            | 23 | 22,0           | 35             | 13             | -30  | 80 | 41,0   | <a href="#">24750.0410</a> |
| 62             | M 8            | 28 | 22,0           | 35             | 13             | -30  | 80 | 43,0   | <a href="#">24750.0420</a> |
| 62             | M 8            | 38 | 22,0           | 35             | 13             | -30  | 80 | 46,0   | <a href="#">24750.0430</a> |
| 62             | M 8            | 48 | 22,0           | 35             | 13             | -30  | 80 | 49,0   | <a href="#">24750.0440</a> |
| 62             | M10            | 23 | 22,0           | 35             | 13             | -30  | 80 | 51,0   | <a href="#">24750.0450</a> |
| 62             | M10            | 28 | 22,0           | 35             | 13             | -30  | 80 | 54,0   | <a href="#">24750.0460</a> |
| 62             | M10            | 38 | 22,0           | 35             | 13             | -30  | 80 | 59,0   | <a href="#">24750.0470</a> |
| 62             | M10            | 48 | 22,0           | 35             | 13             | -30  | 80 | 64,0   | <a href="#">24750.0480</a> |
| 62             | M10            | 58 | 22,0           | 35             | 13             | -30  | 80 | 69,0   | <a href="#">24750.0490</a> |
| <b>alb</b>     |                |    |                |                |                |  |    |  |                            |
| 30             | M 4            | 10 | 14,0           | 19             | 7              | -30  | 80 | 6,1  | <a href="#">24750.0101</a> |
| 30             | M 4            | 14 | 14,0           | 19             | 7              | -30  | 80 | 6,6  | <a href="#">24750.0111</a> |
| 30             | M 4            | 18 | 14,0           | 19             | 7              | -30  | 80 | 6,9  | <a href="#">24750.0121</a> |
| 30             | M 4            | 23 | 14,0           | 19             | 7              | -30  | 80 | 7,3  | <a href="#">24750.0131</a> |
| 30             | M 4            | 28 | 14,0           | 19             | 7              | -30  | 80 | 7,7  | <a href="#">24750.0141</a> |
| 30             | M 5            | 10 | 14,0           | 19             | 7              | -30  | 80 | 7,5  | <a href="#">24750.0151</a> |
| 30             | M 5            | 14 | 14,0           | 19             | 7              | -30  | 80 | 7,9  | <a href="#">24750.0161</a> |
| 30             | M 5            | 18 | 14,0           | 19             | 7              | -30  | 80 | 8,4  | <a href="#">24750.0171</a> |
| 30             | M 5            | 23 | 14,0           | 19             | 7              | -30  | 80 | 9,0  | <a href="#">24750.0181</a> |
| 30             | M 5            | 28 | 14,0           | 19             | 7              | -30  | 80 | 9,0  | <a href="#">24750.0191</a> |
| 40             | M 5            | 10 | 16,5           | 22             | 9              | -30  | 80 | 9,6  | <a href="#">24750.0201</a> |
| 40             | M 5            | 14 | 16,5           | 22             | 9              | -30  | 80 | 10,0   | <a href="#">24750.0211</a> |
| 40             | M 5            | 18 | 16,5           | 22             | 9              | -30  | 80 | 11,0   | <a href="#">24750.0221</a> |
| 40             | M 5            | 23 | 16,5           | 22             | 9              | -30  | 80 | 12,0   | <a href="#">24750.0231</a> |
| 40             | M 5            | 28 | 16,5           | 22             | 9              | -30  | 80 | 12,0   | <a href="#">24750.0241</a> |
| 40             | M 6            | 14 | 16,5           | 22             | 9              | -30  | 80 | 12,0   | <a href="#">24750.0251</a> |
| 40             | M 6            | 18 | 16,5           | 22             | 9              | -30  | 80 | 13,0   | <a href="#">24750.0261</a> |
| 40             | M 6            | 23 | 16,5           | 22             | 9              | -30  | 80 | 14,0   | <a href="#">24750.0271</a> |
| 40             | M 6            | 28 | 16,5           | 22             | 9              | -30  | 80 | 15,0   | <a href="#">24750.0281</a> |
| 40             | M 6            | 38 | 16,5           | 22             | 9              | -30  | 80 | 16,0   | <a href="#">24750.0291</a> |
| 50             | M 6            | 14 | 22,0           | 26             | 10             | -30  | 80 | 19,0   | <a href="#">24750.0301</a> |
| 50             | M 6            | 18 | 22,0           | 26             | 10             | -30  | 80 | 19,0   | <a href="#">24750.0311</a> |
| 50             | M 6            | 23 | 22,0           | 26             | 10             | -30  | 80 | 20,0   | <a href="#">24750.0321</a> |
| 50             | M 6            | 28 | 22,0           | 26             | 10             | -30  | 80 | 21,0   | <a href="#">24750.0331</a> |
| 50             | M 6            | 38 | 22,0           | 26             | 10             | -30  | 80 | 23,0   | <a href="#">24750.0341</a> |
| 50             | M 8            | 18 | 22,0           | 26             | 10             | -30  | 80 | 26,0   | <a href="#">24750.0351</a> |
| 50             | M 8            | 23 | 22,0           | 26             | 10             | -30  | 80 | 27,0   | <a href="#">24750.0361</a> |
| 50             | M 8            | 28 | 22,0           | 26             | 10             | -30  | 80 | 29,0   | <a href="#">24750.0371</a> |
| 50             | M 8            | 38 | 22,0           | 26             | 10             | -30  | 80 | 32,0   | <a href="#">24750.0381</a> |
| 50             | M 8            | 48 | 22,0           | 26             | 10             | -30  | 80 | 35,0   | <a href="#">24750.0391</a> |
| 62             | M 8            | 18 | 22,0           | 35             | 13             | -30  | 80 | 40,0   | <a href="#">24750.0401</a> |
| 62             | M 8            | 23 | 22,0           | 35             | 13             | -30  | 80 | 41,0   | <a href="#">24750.0411</a> |
| 62             | M 8            | 28 | 22,0           | 35             | 13             | -30  | 80 | 43,0   | <a href="#">24750.0421</a> |
| 62             | M 8            | 38 | 22,0           | 35             | 13             | -30  | 80 | 46,0   | <a href="#">24750.0431</a> |
| 62             | M 8            | 48 | 22,0           | 35             | 13             | -30  | 80 | 49,0   | <a href="#">24750.0441</a> |
| 62             | M10            | 23 | 22,0           | 35             | 13             | -30  | 80 | 51,0   | <a href="#">24750.0451</a> |
| 62             | M10            | 28 | 22,0           | 35             | 13             | -30  | 80 | 54,0   | <a href="#">24750.0461</a> |
| 62             | M10            | 38 | 22,0           | 35             | 13             | -30  | 80 | 59,0   | <a href="#">24750.0471</a> |
| 62             | M10            | 48 | 22,0           | 35             | 13             | -30  | 80 | 64,0   | <a href="#">24750.0481</a> |
| 62             | M10            | 58 | 22,0           | 35             | 13             | -30  | 80 | 69,0   | <a href="#">24750.0491</a> |

| Dimensiuni        |                |    |                |                |                | min. max. |    | [g]  | Ref. Nr.   |
|-------------------|----------------|----|----------------|----------------|----------------|-----------|----|------|------------|
| d <sub>1</sub>    | d <sub>2</sub> | l  | d <sub>3</sub> | l <sub>1</sub> | l <sub>2</sub> | [°C]      |    |      |            |
| [mm]              |                |    |                |                |                |           |    |      |            |
| <b>portocaliu</b> |                |    |                |                |                |           |    |      |            |
| 30                | M 4            | 10 | 14,0           | 19             | 7              | -30       | 80 | 6,1  | 24750.0102 |
| 30                | M 4            | 14 | 14,0           | 19             | 7              | -30       | 80 | 6,6  | 24750.0112 |
| 30                | M 4            | 18 | 14,0           | 19             | 7              | -30       | 80 | 6,9  | 24750.0122 |
| 30                | M 4            | 23 | 14,0           | 19             | 7              | -30       | 80 | 7,3  | 24750.0132 |
| 30                | M 4            | 28 | 14,0           | 19             | 7              | -30       | 80 | 7,7  | 24750.0142 |
| 30                | M 5            | 10 | 14,0           | 19             | 7              | -30       | 80 | 7,5  | 24750.0152 |
| 30                | M 5            | 14 | 14,0           | 19             | 7              | -30       | 80 | 7,9  | 24750.0162 |
| 30                | M 5            | 18 | 14,0           | 19             | 7              | -30       | 80 | 8,4  | 24750.0172 |
| 30                | M 5            | 23 | 14,0           | 19             | 7              | -30       | 80 | 9,0  | 24750.0182 |
| 30                | M 5            | 28 | 14,0           | 19             | 7              | -30       | 80 | 9,0  | 24750.0192 |
| 40                | M 5            | 10 | 16,5           | 22             | 9              | -30       | 80 | 9,6  | 24750.0202 |
| 40                | M 5            | 14 | 16,5           | 22             | 9              | -30       | 80 | 10,0 | 24750.0212 |
| 40                | M 5            | 18 | 16,5           | 22             | 9              | -30       | 80 | 11,0 | 24750.0222 |
| 40                | M 5            | 23 | 16,5           | 22             | 9              | -30       | 80 | 12,0 | 24750.0232 |
| 40                | M 5            | 28 | 16,5           | 22             | 9              | -30       | 80 | 12,0 | 24750.0242 |
| 40                | M 6            | 14 | 16,5           | 22             | 9              | -30       | 80 | 12,0 | 24750.0252 |
| 40                | M 6            | 18 | 16,5           | 22             | 9              | -30       | 80 | 13,0 | 24750.0262 |
| 40                | M 6            | 23 | 16,5           | 22             | 9              | -30       | 80 | 14,0 | 24750.0272 |
| 40                | M 6            | 28 | 16,5           | 22             | 9              | -30       | 80 | 15,0 | 24750.0282 |
| 40                | M 6            | 38 | 16,5           | 22             | 9              | -30       | 80 | 16,0 | 24750.0292 |
| 50                | M 6            | 14 | 22,0           | 26             | 10             | -30       | 80 | 19,0 | 24750.0302 |
| 50                | M 6            | 18 | 22,0           | 26             | 10             | -30       | 80 | 19,0 | 24750.0312 |
| 50                | M 6            | 23 | 22,0           | 26             | 10             | -30       | 80 | 20,0 | 24750.0322 |
| 50                | M 6            | 28 | 22,0           | 26             | 10             | -30       | 80 | 21,0 | 24750.0332 |
| 50                | M 6            | 38 | 22,0           | 26             | 10             | -30       | 80 | 23,0 | 24750.0342 |
| 50                | M 8            | 18 | 22,0           | 26             | 10             | -30       | 80 | 26,0 | 24750.0352 |
| 50                | M 8            | 23 | 22,0           | 26             | 10             | -30       | 80 | 27,0 | 24750.0362 |
| 50                | M 8            | 28 | 22,0           | 26             | 10             | -30       | 80 | 29,0 | 24750.0372 |
| 50                | M 8            | 38 | 22,0           | 26             | 10             | -30       | 80 | 32,0 | 24750.0382 |
| 50                | M 8            | 48 | 22,0           | 26             | 10             | -30       | 80 | 35,0 | 24750.0392 |
| 62                | M 8            | 18 | 22,0           | 35             | 13             | -30       | 80 | 40,0 | 24750.0402 |
| 62                | M 8            | 23 | 22,0           | 35             | 13             | -30       | 80 | 41,0 | 24750.0412 |
| 62                | M 8            | 28 | 22,0           | 35             | 13             | -30       | 80 | 43,0 | 24750.0422 |
| 62                | M 8            | 38 | 22,0           | 35             | 13             | -30       | 80 | 46,0 | 24750.0432 |
| 62                | M 8            | 48 | 22,0           | 35             | 13             | -30       | 80 | 49,0 | 24750.0442 |
| 62                | M10            | 23 | 22,0           | 35             | 13             | -30       | 80 | 51,0 | 24750.0452 |
| 62                | M10            | 28 | 22,0           | 35             | 13             | -30       | 80 | 54,0 | 24750.0462 |
| 62                | M10            | 38 | 22,0           | 35             | 13             | -30       | 80 | 59,0 | 24750.0472 |
| 62                | M10            | 48 | 22,0           | 35             | 13             | -30       | 80 | 64,0 | 24750.0482 |
| 62                | M10            | 58 | 22,0           | 35             | 13             | -30       | 80 | 69,0 | 24750.0492 |
| <b>galben</b>     |                |    |                |                |                |           |    |      |            |
| 30                | M 4            | 10 | 14,0           | 19             | 7              | -30       | 80 | 6,1  | 24750.0103 |
| 30                | M 4            | 14 | 14,0           | 19             | 7              | -30       | 80 | 6,6  | 24750.0113 |
| 30                | M 4            | 18 | 14,0           | 19             | 7              | -30       | 80 | 6,9  | 24750.0123 |
| 30                | M 4            | 23 | 14,0           | 19             | 7              | -30       | 80 | 7,3  | 24750.0133 |
| 30                | M 4            | 28 | 14,0           | 19             | 7              | -30       | 80 | 7,7  | 24750.0143 |
| 30                | M 5            | 10 | 14,0           | 19             | 7              | -30       | 80 | 7,5  | 24750.0153 |
| 30                | M 5            | 14 | 14,0           | 19             | 7              | -30       | 80 | 7,9  | 24750.0163 |
| 30                | M 5            | 18 | 14,0           | 19             | 7              | -30       | 80 | 8,4  | 24750.0173 |
| 30                | M 5            | 23 | 14,0           | 19             | 7              | -30       | 80 | 9,0  | 24750.0183 |
| 30                | M 5            | 28 | 14,0           | 19             | 7              | -30       | 80 | 9,0  | 24750.0193 |
| 40                | M 5            | 10 | 16,5           | 22             | 9              | -30       | 80 | 9,6  | 24750.0203 |
| 40                | M 5            | 14 | 16,5           | 22             | 9              | -30       | 80 | 10,0 | 24750.0213 |
| 40                | M 5            | 18 | 16,5           | 22             | 9              | -30       | 80 | 11,0 | 24750.0223 |
| 40                | M 5            | 23 | 16,5           | 22             | 9              | -30       | 80 | 12,0 | 24750.0233 |
| 40                | M 5            | 28 | 16,5           | 22             | 9              | -30       | 80 | 12,0 | 24750.0243 |
| 40                | M 6            | 14 | 16,5           | 22             | 9              | -30       | 80 | 12,0 | 24750.0253 |
| 40                | M 6            | 18 | 16,5           | 22             | 9              | -30       | 80 | 13,0 | 24750.0263 |
| 40                | M 6            | 23 | 16,5           | 22             | 9              | -30       | 80 | 14,0 | 24750.0273 |
| 40                | M 6            | 28 | 16,5           | 22             | 9              | -30       | 80 | 15,0 | 24750.0283 |
| 40                | M 6            | 38 | 16,5           | 22             | 9              | -30       | 80 | 16,0 | 24750.0293 |

| Dimensiuni      |                |    |                |                |                | min. | max. | [g]  | Ref. Nr.   |
|-----------------|----------------|----|----------------|----------------|----------------|------|------|------|------------|
| d <sub>1</sub>  | d <sub>2</sub> | l  | d <sub>3</sub> | l <sub>1</sub> | l <sub>2</sub> |      |      |      |            |
| 50              | M 6            | 14 | 22,0           | 26             | 10             | -30  | 80   | 19,0 | 24750.0303 |
| 50              | M 6            | 18 | 22,0           | 26             | 10             | -30  | 80   | 19,0 | 24750.0313 |
| 50              | M 6            | 23 | 22,0           | 26             | 10             | -30  | 80   | 20,0 | 24750.0323 |
| 50              | M 6            | 28 | 22,0           | 26             | 10             | -30  | 80   | 21,0 | 24750.0333 |
| 50              | M 6            | 38 | 22,0           | 26             | 10             | -30  | 80   | 23,0 | 24750.0343 |
| 50              | M 8            | 18 | 22,0           | 26             | 10             | -30  | 80   | 26,0 | 24750.0353 |
| 50              | M 8            | 23 | 22,0           | 26             | 10             | -30  | 80   | 27,0 | 24750.0363 |
| 50              | M 8            | 28 | 22,0           | 26             | 10             | -30  | 80   | 29,0 | 24750.0373 |
| 50              | M 8            | 38 | 22,0           | 26             | 10             | -30  | 80   | 32,0 | 24750.0383 |
| 50              | M 8            | 48 | 22,0           | 26             | 10             | -30  | 80   | 35,0 | 24750.0393 |
| 62              | M 8            | 18 | 22,0           | 35             | 13             | -30  | 80   | 40,0 | 24750.0403 |
| 62              | M 8            | 23 | 22,0           | 35             | 13             | -30  | 80   | 41,0 | 24750.0413 |
| 62              | M 8            | 28 | 22,0           | 35             | 13             | -30  | 80   | 43,0 | 24750.0423 |
| 62              | M 8            | 38 | 22,0           | 35             | 13             | -30  | 80   | 46,0 | 24750.0433 |
| 62              | M 8            | 48 | 22,0           | 35             | 13             | -30  | 80   | 49,0 | 24750.0443 |
| 62              | M10            | 23 | 22,0           | 35             | 13             | -30  | 80   | 51,0 | 24750.0453 |
| 62              | M10            | 28 | 22,0           | 35             | 13             | -30  | 80   | 54,0 | 24750.0463 |
| 62              | M10            | 38 | 22,0           | 35             | 13             | -30  | 80   | 59,0 | 24750.0473 |
| 62              | M10            | 48 | 22,0           | 35             | 13             | -30  | 80   | 64,0 | 24750.0483 |
| 62              | M10            | 58 | 22,0           | 35             | 13             | -30  | 80   | 69,0 | 24750.0493 |
| <b>albastru</b> |                |    |                |                |                |      |      |      |            |
| 30              | M 4            | 10 | 14,0           | 19             | 7              | -30  | 80   | 6,1  | 24750.0104 |
| 30              | M 4            | 14 | 14,0           | 19             | 7              | -30  | 80   | 6,6  | 24750.0114 |
| 30              | M 4            | 18 | 14,0           | 19             | 7              | -30  | 80   | 6,9  | 24750.0124 |
| 30              | M 4            | 23 | 14,0           | 19             | 7              | -30  | 80   | 7,3  | 24750.0134 |
| 30              | M 4            | 28 | 14,0           | 19             | 7              | -30  | 80   | 7,7  | 24750.0144 |
| 30              | M 5            | 10 | 14,0           | 19             | 7              | -30  | 80   | 7,5  | 24750.0154 |
| 30              | M 5            | 14 | 14,0           | 19             | 7              | -30  | 80   | 7,9  | 24750.0164 |
| 30              | M 5            | 18 | 14,0           | 19             | 7              | -30  | 80   | 8,4  | 24750.0174 |
| 30              | M 5            | 23 | 14,0           | 19             | 7              | -30  | 80   | 9,0  | 24750.0184 |
| 30              | M 5            | 28 | 14,0           | 19             | 7              | -30  | 80   | 9,0  | 24750.0194 |
| 40              | M 5            | 10 | 16,5           | 22             | 9              | -30  | 80   | 9,6  | 24750.0204 |
| 40              | M 5            | 14 | 16,5           | 22             | 9              | -30  | 80   | 10,0 | 24750.0214 |
| 40              | M 5            | 18 | 16,5           | 22             | 9              | -30  | 80   | 11,0 | 24750.0224 |
| 40              | M 5            | 23 | 16,5           | 22             | 9              | -30  | 80   | 12,0 | 24750.0234 |
| 40              | M 5            | 28 | 16,5           | 22             | 9              | -30  | 80   | 12,0 | 24750.0244 |
| 40              | M 6            | 14 | 16,5           | 22             | 9              | -30  | 80   | 12,0 | 24750.0254 |
| 40              | M 6            | 18 | 16,5           | 22             | 9              | -30  | 80   | 13,0 | 24750.0264 |
| 40              | M 6            | 23 | 16,5           | 22             | 9              | -30  | 80   | 14,0 | 24750.0274 |
| 40              | M 6            | 28 | 16,5           | 22             | 9              | -30  | 80   | 15,0 | 24750.0284 |
| 40              | M 6            | 38 | 16,5           | 22             | 9              | -30  | 80   | 16,0 | 24750.0294 |
| 50              | M 6            | 14 | 22,0           | 26             | 10             | -30  | 80   | 19,0 | 24750.0304 |
| 50              | M 6            | 18 | 22,0           | 26             | 10             | -30  | 80   | 19,0 | 24750.0314 |
| 50              | M 6            | 23 | 22,0           | 26             | 10             | -30  | 80   | 20,0 | 24750.0324 |
| 50              | M 6            | 28 | 22,0           | 26             | 10             | -30  | 80   | 21,0 | 24750.0334 |
| 50              | M 6            | 38 | 22,0           | 26             | 10             | -30  | 80   | 23,0 | 24750.0344 |
| 50              | M 8            | 18 | 22,0           | 26             | 10             | -30  | 80   | 26,0 | 24750.0354 |
| 50              | M 8            | 23 | 22,0           | 26             | 10             | -30  | 80   | 27,0 | 24750.0364 |
| 50              | M 8            | 28 | 22,0           | 26             | 10             | -30  | 80   | 29,0 | 24750.0374 |
| 50              | M 8            | 38 | 22,0           | 26             | 10             | -30  | 80   | 32,0 | 24750.0384 |
| 50              | M 8            | 48 | 22,0           | 26             | 10             | -30  | 80   | 35,0 | 24750.0394 |
| 62              | M 8            | 18 | 22,0           | 35             | 13             | -30  | 80   | 40,0 | 24750.0404 |
| 62              | M 8            | 23 | 22,0           | 35             | 13             | -30  | 80   | 41,0 | 24750.0414 |
| 62              | M 8            | 28 | 22,0           | 35             | 13             | -30  | 80   | 43,0 | 24750.0424 |
| 62              | M 8            | 38 | 22,0           | 35             | 13             | -30  | 80   | 46,0 | 24750.0434 |
| 62              | M 8            | 48 | 22,0           | 35             | 13             | -30  | 80   | 49,0 | 24750.0444 |
| 62              | M10            | 23 | 22,0           | 35             | 13             | -30  | 80   | 51,0 | 24750.0454 |
| 62              | M10            | 28 | 22,0           | 35             | 13             | -30  | 80   | 54,0 | 24750.0464 |
| 62              | M10            | 38 | 22,0           | 35             | 13             | -30  | 80   | 59,0 | 24750.0474 |
| 62              | M10            | 48 | 22,0           | 35             | 13             | -30  | 80   | 64,0 | 24750.0484 |
| 62              | M10            | 58 | 22,0           | 35             | 13             | -30  | 80   | 69,0 | 24750.0494 |

## Exemplu de aplicație



## Reclamație

### Conform RoHS

Sunt conforme Directivei 2011/65/UE și Directivei 2015/863.

### Nu conțin materiale SVHC

Nu conține substanțe SVHC cu mai mult de 0,1% w/w - lista SVHC din 27.06.2024.

### Nu conține substanțe din Declarația 65

Nu conține substanțe din Declarația 65.

<https://www.P65Warnings.ca.gov/>

### Nu conține Minerale de conflict

Acest produs nu conține substanțe desemnate drept „minerale de conflict” precum tantalul, staniul, aurul sau wolfram din Republica Democratică Congo sau din țările adiacente.