

Mânere tip stea • plastic

EH 24750.



Descrierea produsului

Material

Capac

- Termoplastic PA, negru similar RAL 9005
- Termoplastic PA, alb similar RAL 9019
- Termoplastic PA, portocaliu similar RAL 2004
- Termoplastic PA, galben similar RAL 1016
- Termoplastic PA, albastru similar RAL 5015

Mâner

- Termoplastic PA 6, negru similar RAL 9005

Bucșă filetată

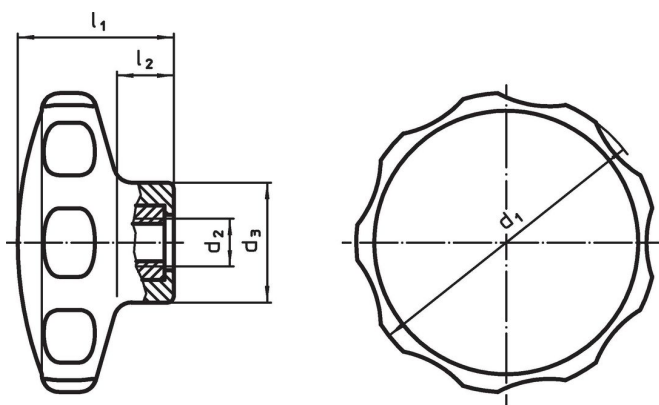
- Oțel inoxidabil

Mai multe informații

Note

Variante speciale, de ex. diferite filete sunt posibile la cerere.

Desen



Informații comandă

| d ₁ | d ₂ | Dimensiuni | | | min. | max. | [g] | Ref. Nr. |
|-------------------|----------------|------------------------|----------------|----------------|------|------|------|----------------------------|
| | | d ₃ [mm] | l ₁ | l ₂ | | | | |
| negru | | | | | | | | |
| 30 | M 4 | 14,0 | 19 | 7 | -30 | 80 | 5,5 | 24750.0030 |
| 30 | M 5 | 14,0 | 19 | 7 | -30 | 80 | 5,7 | 24750.0035 |
| 40 | M 5 | 16,5 | 22 | 9 | -30 | 80 | 8,2 | 24750.0040 |
| 40 | M 6 | 16,5 | 22 | 9 | -30 | 80 | 9,5 | 24750.0045 |
| 50 | M 6 | 22,0 | 26 | 10 | -30 | 80 | 16,0 | 24750.0050 |
| 50 | M 8 | 22,0 | 26 | 10 | -30 | 80 | 19,0 | 24750.0055 |
| 62 | M 8 | 22,0 | 35 | 13 | -30 | 80 | 30,0 | 24750.0060 |
| 62 | M10 | 22,0 | 35 | 13 | -30 | 80 | 39,0 | 24750.0065 |
| alb | | | | | | | | |
| 30 | M 4 | 14,0 | 19 | 7 | -30 | 80 | 5,5 | 24750.0031 |
| 30 | M 5 | 14,0 | 19 | 7 | -30 | 80 | 5,7 | 24750.0036 |
| 40 | M 5 | 16,5 | 22 | 9 | -30 | 80 | 8,2 | 24750.0041 |
| 40 | M 6 | 16,5 | 22 | 9 | -30 | 80 | 9,5 | 24750.0046 |
| 50 | M 6 | 22,0 | 26 | 10 | -30 | 80 | 16,0 | 24750.0051 |
| 50 | M 8 | 22,0 | 26 | 10 | -30 | 80 | 19,0 | 24750.0056 |
| 62 | M 8 | 22,0 | 35 | 13 | -30 | 80 | 30,0 | 24750.0061 |
| 62 | M10 | 22,0 | 35 | 13 | -30 | 80 | 39,0 | 24750.0066 |
| portocaliu | | | | | | | | |
| 30 | M 4 | 14,0 | 19 | 7 | -30 | 80 | 5,5 | 24750.0032 |
| 30 | M 5 | 14,0 | 19 | 7 | -30 | 80 | 5,7 | 24750.0037 |
| 40 | M 5 | 16,5 | 22 | 9 | -30 | 80 | 8,2 | 24750.0042 |
| 40 | M 6 | 16,5 | 22 | 9 | -30 | 80 | 9,5 | 24750.0047 |

| d ₁ | d ₂ | Dimensiuni | | | min. max. | | [g] | Ref. Nr. |
|-----------------|----------------|------------------------|----------------|----------------|-----------|----|------|------------|
| | | d ₃ [mm] | l ₁ | l ₂ | [°C] | | | |
| 50 | M 6 | 22,0 | 26 | 10 | -30 | 80 | 16,0 | 24750.0052 |
| 50 | M 8 | 22,0 | 26 | 10 | -30 | 80 | 19,0 | 24750.0057 |
| 62 | M 8 | 22,0 | 35 | 13 | -30 | 80 | 30,0 | 24750.0062 |
| 62 | M10 | 22,0 | 35 | 13 | -30 | 80 | 39,0 | 24750.0067 |
| galben | | | | | | | | |
| 30 | M 4 | 14,0 | 19 | 7 | -30 | 80 | 5,5 | 24750.0033 |
| 30 | M 5 | 14,0 | 19 | 7 | -30 | 80 | 5,7 | 24750.0038 |
| 40 | M 5 | 16,5 | 22 | 9 | -30 | 80 | 8,2 | 24750.0043 |
| 40 | M 6 | 16,5 | 22 | 9 | -30 | 80 | 9,5 | 24750.0048 |
| 50 | M 6 | 22,0 | 26 | 10 | -30 | 80 | 16,0 | 24750.0053 |
| 50 | M 8 | 22,0 | 26 | 10 | -30 | 80 | 19,0 | 24750.0058 |
| 62 | M 8 | 22,0 | 35 | 13 | -30 | 80 | 30,0 | 24750.0063 |
| 62 | M10 | 22,0 | 35 | 13 | -30 | 80 | 39,0 | 24750.0068 |
| albastru | | | | | | | | |
| 30 | M 4 | 14,0 | 19 | 7 | -30 | 80 | 5,5 | 24750.0034 |
| 30 | M 5 | 14,0 | 19 | 7 | -30 | 80 | 5,7 | 24750.0039 |
| 40 | M 5 | 16,5 | 22 | 9 | -30 | 80 | 8,2 | 24750.0044 |
| 40 | M 6 | 16,5 | 22 | 9 | -30 | 80 | 9,5 | 24750.0049 |
| 50 | M 6 | 22,0 | 26 | 10 | -30 | 80 | 16,0 | 24750.0054 |
| 50 | M 8 | 22,0 | 26 | 10 | -30 | 80 | 19,0 | 24750.0059 |
| 62 | M 8 | 22,0 | 35 | 13 | -30 | 80 | 30,0 | 24750.0064 |
| 62 | M10 | 22,0 | 35 | 13 | -30 | 80 | 39,0 | 24750.0069 |

Reclamație

Conform RoHS

Sunt conforme Directivei 2011/65/UE și Directivei 2015/863.

Nu conține materiale SVHC

Nu conține substanțe SVHC cu mai mult de 0,1% w/w - lista SVHC din 27.06.2024.

Nu conține substanțe din Declarația 65

Nu conține substanțe din Declarația 65.

<https://www.P65Warnings.ca.gov/>

Nu conține Minerale de conflict

Acest produs nu conține substanțe desemnate drept „minerale de conflict” precum tantalul, staniul, aurul sau wolfram din Republica Democratică Congo sau din țările adiacente.