

Manetă de fixare ajustabilă • cu filet interior

EH 24400.



Descrierea produsului

Manetele de fixare ajustabile se pretează la aplicații unde poziția manetei trebuie să fie într-o poziție specifică.

Material

Maneta

- Zinc turnat, acoperit cu plastic, portocaliu similar cu RAL 2004, structură mată
- Zinc turnat sub presiune, plastificat, argintiu similar RAL 9006, mat structurat
- Zinc turnat sub presiune, plastificat, negru similar RAL 9005, mat structurat

Partea filetată

- Oțel, brunat, calitatea 5

Elemente interne

- Oțel, brunat, calitatea 5.8

Operații

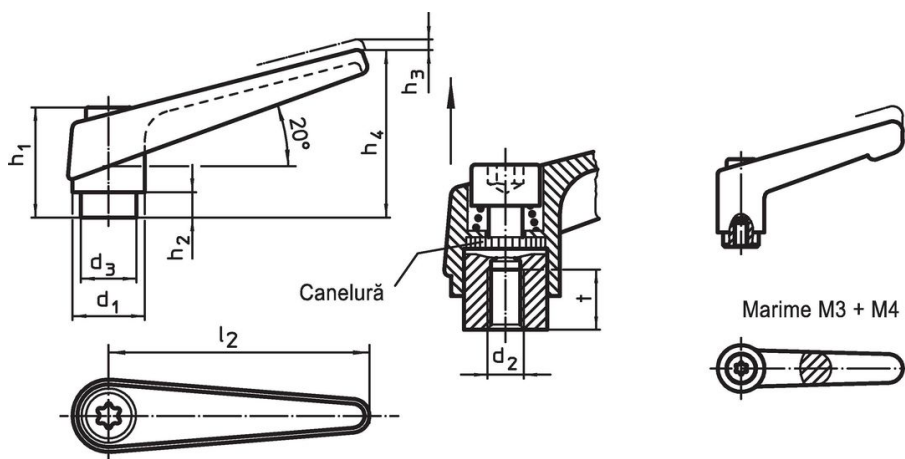
Prin ridicarea pârgșiei dantura se decuplează. Pârgșia poate fi poziționată la nivelul șirurilor de dinți. La eliberarea pârgșiei, dantura se cuplează automat.

Mai multe informații

Note

Portiunea filetată poate fi schimbată.

Desen

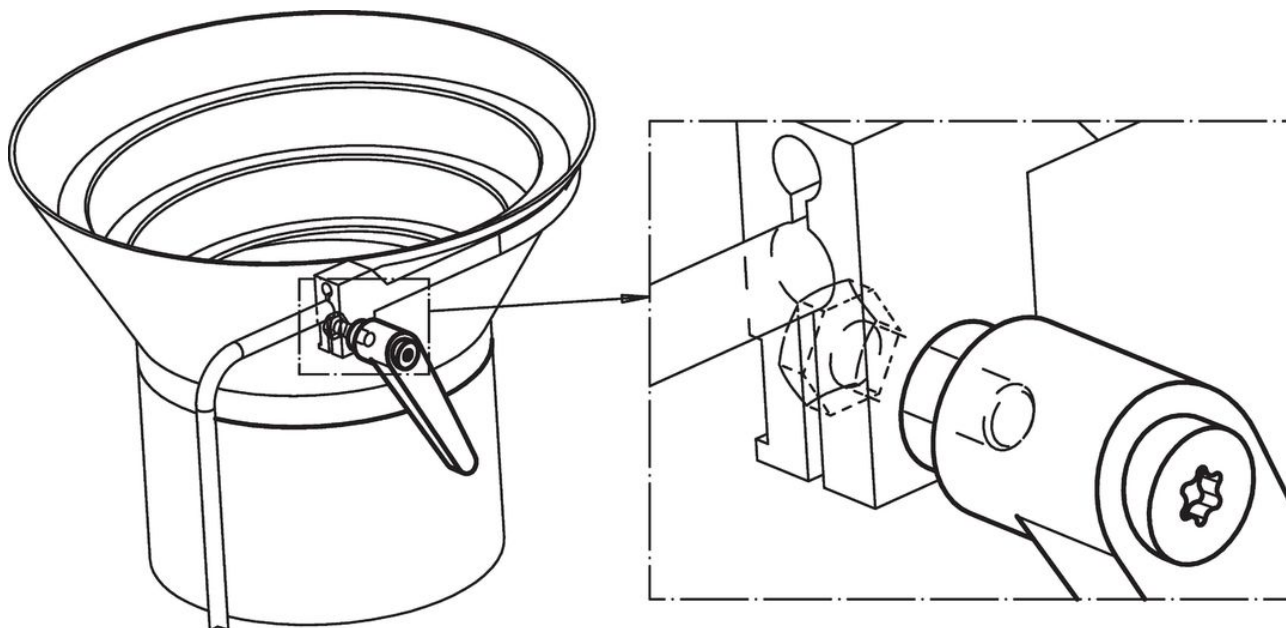


Informații comandă

Dimensiuni										[g]	Ref. Nr.
d ₁	d ₂	d ₃	h ₁	h ₂	h ₃	h ₄	l ₂	t	≥		
[mm]											
portocaliu											
13	M 3	10,0	24,5	4,0	3,5	30,5	30	7	26	24400.0032	
13	M 4	10,0	24,5	4,0	3,5	30,5	30	9	25	24400.0036	
14	M 5	10,0	24,5	4,0	3,0	35,0	45	8	33	24400.0111	
14	M 6	10,0	24,5	4,0	3,0	35,0	45	8	33	24400.0121	
18	M 6	13,5	31,0	6,5	3,0	45,0	62	10	67	24400.0311	
18	M 8	13,5	31,0	6,5	3,0	45,0	62	10	71	24400.0321	
22	M 8	16,0	36,0	8,0	3,5	52,0	74	14	112	24400.0411	
22	M10	16,0	36,0	8,0	3,5	52,0	74	14	109	24400.0421	
25	M10	19,0	43,0	11,0	4,0	63,0	89	17	176	24400.0511	
25	M12	19,0	43,0	11,0	4,0	63,0	89	17	171	24400.0521	
30	M12	23,0	50,5	12,0	5,0	76,0	108	22	286	24400.0611	
30	M16	23,0	50,5	12,0	5,0	76,0	108	22	269	24400.0621	
argintiu											
14	M 5	10,0	24,5	4,0	3,0	35,0	45	8	33	24400.0113	
14	M 6	10,0	24,5	4,0	3,0	35,0	45	8	33	24400.0123	
18	M 6	13,5	31,0	6,5	3,0	45,0	62	10	67	24400.0313	
18	M 8	13,5	31,0	6,5	3,0	45,0	62	10	71	24400.0323	
22	M 8	16,0	36,0	8,0	3,5	52,0	74	14	112	24400.0413	

d ₁	d ₂	d ₃	Dimensiuni						l ₂	t ≥	[g]	Ref. Nr.
			h ₁	h ₂	h ₃	h ₄	[mm]					
22	M10	16,0	36,0	8,0	3,5	52,0	74	14	109	24400.0423		
25	M10	19,0	43,0	11,0	4,0	63,0	89	17	176	24400.0513		
25	M12	19,0	43,0	11,0	4,0	63,0	89	17	171	24400.0523		
30	M12	23,0	50,5	12,0	5,0	76,0	108	22	286	24400.0613		
30	M16	23,0	50,5	12,0	5,0	76,0	108	22	269	24400.0623		
negru												
13	M 3	10,0	24,5	4,0	3,5	30,5	30	7	26	24400.0034		
13	M 4	10,0	24,5	4,0	3,5	30,5	30	9	25	24400.0038		
14	M 5	10,0	24,5	4,0	3,0	35,0	45	8	33	24400.0114		
14	M 6	10,0	24,5	4,0	3,0	35,0	45	8	33	24400.0124		
18	M 6	13,5	31,0	6,5	3,0	45,0	62	10	67	24400.0314		
18	M 8	13,5	31,0	6,5	3,0	45,0	62	10	71	24400.0324		
22	M 8	16,0	36,0	8,0	3,5	52,0	74	14	112	24400.0414		
22	M10	16,0	36,0	8,0	3,5	52,0	74	14	109	24400.0424		
25	M10	19,0	43,0	11,0	4,0	63,0	89	17	176	24400.0514		
25	M12	19,0	43,0	11,0	4,0	63,0	89	17	171	24400.0524		
30	M12	23,0	50,5	12,0	5,0	76,0	108	22	286	24400.0614		
30	M16	23,0	50,5	12,0	5,0	76,0	108	22	269	24400.0624		

Exemplu de aplicație



Reclamație

Conform RoHS

Conține plumb – conform excepțiilor 6a / 6b / 6c.

Conține substanțe SVHC >0,1% w/w

Conține plumb - lista SVHC [REACH] din 27.06.2024.

Conține substanțe din Declarația 65



Prin expunere plumbul poate provoca cancer și afectarea fertilității
<https://www.P65Warnings.ca.gov/>

Nu conține Minerale de conflict

Acest produs nu conține substanțe desemnate drept „minerale de conflict” precum tantalul, staniul, aurul sau wolfram din Republica Democratică Congo sau din țările adiacente.