

## Șuruburi de presiune cu bilă • fără cap, bilă plină

EH 22720.



### Descrierea produsului

Șuruburile de presiune cu bilă din termoplast sunt folosite pentru piese sensibile. Pot fi utilizate, de asemenea, pentru poziționare, prindere, strângere sau susținere asupra fețelor care nu sunt perfect paralele.

### Material

#### Bilă

- Oțel pentru rulmenți, călit
- Oțel inoxidabil, călit
- Termoplast POM, alb

#### Șurub

- Oțel tratat termic, 1200 ±100 N/mm<sup>2</sup>
- Oțel inoxidabil 1.4305

### Mai multe informații

#### Note

Bila nu este protejată împotriva rotirii  
Variantă specială la cerere.

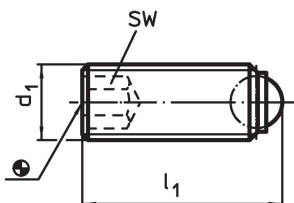
#### Referințe

Blocator pentru filet disponibil la cerere, vă rugăm consultați anexa - Date Tehnice -

#### Produse asociate

- Șuruburi de presiune cu bilă, fără cap, cu filet fin
- Șuruburi de presiune cu bilă, fără cap, bilă plină, locaș hexalobular

### Desen



### Informații comandă

d <sub>1</sub>	Dimensiuni		SW	Capacitate portantă la sarcină statică <sup>1)</sup> max. [kN]	Temperatură		[g]	Ref. Nr.
	l <sub>1</sub>	Diametrul bilei			min.	max.		
[mm]								
[°C]								
[mm]								
<b>bilă plină, Oțel tratat termic</b>								
M 3	5,0	1,5	1,5	2,5	–	250	0,1	<a href="#">22720.0032</a>
M 3	7,5	1,5	1,5	2,5	–	250	0,2	<a href="#">22720.0033</a>
M 3	10,0	1,5	1,5	2,5	–	250	0,3	<a href="#">22720.0034</a>
M 4	6,0	2,5	2,0	3,5	–	250	0,3	<a href="#">22720.0042</a>
M 4	8,0	2,5	2,0	3,5	–	250	0,4	<a href="#">22720.0043</a>
M 4	10,0	2,5	2,0	3,5	–	250	0,5	<a href="#">22720.0044</a>
M 4	12,0	2,5	2,0	3,5	–	250	0,7	<a href="#">22720.0045</a>
M 4	16,0	2,5	2,0	3,5	–	250	1,0	<a href="#">22720.0046</a>
M 5	8,0	3,0	2,5	4,5	–	250	0,7	<a href="#">22720.0052</a>
M 5	10,0	3,0	2,5	4,5	–	250	0,9	<a href="#">22720.0053</a>
M 5	12,0	3,0	2,5	4,5	–	250	1,1	<a href="#">22720.0054</a>
M 5	16,0	3,0	2,5	4,5	–	250	1,6	<a href="#">22720.0055</a>
M 5	20,0	3,0	2,5	4,5	–	250	2,0	<a href="#">22720.0056</a>
M 5	25,0	3,0	2,5	4,5	–	250	2,6	<a href="#">22720.0058</a>
M 6	10,8	4,0	3,0	9,0	–	250	1,3	<a href="#">22720.0062</a>
M 6	12,8	4,0	3,0	9,0	–	250	1,7	<a href="#">22720.0063</a>
M 6	16,8	4,0	3,0	9,0	–	250	2,3	<a href="#">22720.0064</a>
M 6	20,8	4,0	3,0	9,0	–	250	3,0	<a href="#">22720.0065</a>
M 6	25,8	4,0	3,0	9,0	–	250	3,8	<a href="#">22720.0066</a>
M 8	11,2	5,5	4,0	15,0	–	250	2,5	<a href="#">22720.0081</a>
M 8	13,2	5,5	4,0	15,0	–	250	2,8	<a href="#">22720.0082</a>
M 8	17,2	5,5	4,0	15,0	–	250	4,0	<a href="#">22720.0083</a>

<sup>1)</sup> Datele referitor sarcină nu sunt valabile pentru oțel inoxidabil (exceptand varianta cu bilă din termoplastic).

d <sub>1</sub>	Dimensiuni		SW	Capacitate portantă la sarcină statică <sup>1)</sup> max. [kN]	min. — max. [°C]		[g]	Ref. Nr.
	l <sub>1</sub>	Diametrul bilei			[mm]	[mm]		
M 8	21,2	5,5	4,0	15,0	–	250	5,2	22720.0084
M 8	26,2	5,5	4,0	15,0	–	250	6,7	22720.0085
M 8	31,2	5,5	4,0	15,0	–	250	8,3	22720.0086
M10	13,7	7,0	5,0	20,0	–	250	4,7	22720.0101
M10	17,7	7,0	5,0	20,0	–	250	6,0	22720.0102
M10	21,7	7,0	5,0	20,0	–	250	8,0	22720.0103
M10	26,7	7,0	5,0	20,0	–	250	10,0	22720.0104
M10	31,7	7,0	5,0	20,0	–	250	13,0	22720.0105
M10	36,7	7,0	5,0	20,0	–	250	15,0	22720.0106
M10	41,7	7,0	5,0	20,0	–	250	18,0	22720.0108
M12	18,0	8,5	6,0	30,0	–	250	9,2	22720.0121
M12	22,0	8,5	6,0	30,0	–	250	11,0	22720.0122
M12	27,0	8,5	6,0	30,0	–	250	14,0	22720.0123
M12	32,0	8,5	6,0	30,0	–	250	18,0	22720.0124
M12	42,0	8,5	6,0	30,0	–	250	25,0	22720.0126
M12	52,0	8,5	6,0	30,0	–	250	32,0	22720.0128
M16	23,3	12,0	8,0	60,0	–	250	22,0	22720.0161
M16	28,3	12,0	8,0	60,0	–	250	27,0	22720.0162
M16	38,3	12,0	8,0	60,0	–	250	41,0	22720.0164
M16	53,3	12,0	8,0	60,0	–	250	61,0	22720.0166
M20	34,2	15,0	10,0	90,0	–	250	52,0	22720.0202
M20	44,2	15,0	10,0	90,0	–	250	73,0	22720.0204
M20	54,2	15,0	10,0	90,0	–	250	94,0	22720.0205
M20	64,2	15,0	10,0	90,0	–	250	114,0	22720.0206
M24	39,7	18,0	12,0	120,0	–	250	89,0	22720.0242
M24	54,7	18,0	12,0	120,0	–	250	133,0	22720.0244
M24	84,7	18,0	12,0	120,0	–	250	223,0	22720.0246
<b>bilă plină, Oțel inoxidabil</b>								
M 3	5,0	1,5	1,5	2,5	–	250	0,1	22720.0747
M 3	7,5	1,5	1,5	2,5	–	250	0,2	22720.0748
M 3	10,0	1,5	1,5	2,5	–	250	0,3	22720.0749
M 4	6,0	2,5	2,0	3,5	–	250	0,3	22720.0750
M 4	8,0	2,5	2,0	3,5	–	250	0,4	22720.0752
M 4	10,0	2,5	2,0	3,5	–	250	0,5	22720.0754
M 4	12,0	2,5	2,0	3,5	–	250	0,7	22720.0756
M 4	16,0	2,5	2,0	3,5	–	250	1,0	22720.0758
M 5	8,0	3,0	2,5	4,5	–	250	0,7	22720.0760
M 5	10,0	3,0	2,5	4,5	–	250	0,9	22720.0761
M 5	12,0	3,0	2,5	4,5	–	250	1,1	22720.0762
M 5	16,0	3,0	2,5	4,5	–	250	1,6	22720.0763
M 5	20,0	3,0	2,5	4,5	–	250	2,0	22720.0764
M 5	25,0	3,0	2,5	4,5	–	250	2,6	22720.0765
M 6	10,8	4,0	3,0	9,0	–	250	1,3	22720.0770
M 6	12,8	4,0	3,0	9,0	–	250	1,7	22720.0772
M 6	16,8	4,0	3,0	9,0	–	250	2,3	22720.0774
M 6	20,8	4,0	3,0	9,0	–	250	3,0	22720.0775
M 6	25,8	4,0	3,0	9,0	–	250	3,8	22720.0776
M 8	11,2	5,5	4,0	15,0	–	250	2,5	22720.0780
M 8	13,2	5,5	4,0	15,0	–	250	2,8	22720.0782
M 8	17,2	5,5	4,0	15,0	–	250	4,0	22720.0783
M 8	21,2	5,5	4,0	15,0	–	250	5,2	22720.0784
M 8	26,2	5,5	4,0	15,0	–	250	6,7	22720.0785
M 8	31,2	5,5	4,0	15,0	–	250	8,3	22720.0786
M10	13,7	7,0	5,0	20,0	–	250	4,7	22720.0790
M10	17,7	7,0	5,0	20,0	–	250	6,0	22720.0792
M10	21,7	7,0	5,0	20,0	–	250	8,0	22720.0793
M10	26,7	7,0	5,0	20,0	–	250	10,0	22720.0794
M10	31,7	7,0	5,0	20,0	–	250	13,0	22720.0795
M10	36,7	7,0	5,0	20,0	–	250	15,0	22720.0796

<sup>1)</sup> Datele referitor sarcină nu sunt valabile pentru oțel inoxidabil (exceptand varianta cu bilă din termoplastic).

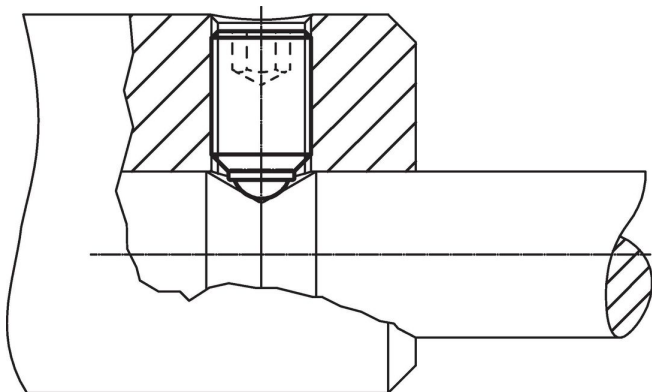
d <sub>1</sub>	Dimensiuni		SW	Capacitate portantă la sarcină statică <sup>1)</sup> max. [kN]	min. max. [°C]		[g]	Ref. Nr.
	l <sub>1</sub>	Diametrul bilei			[mm]	[mm]		
M10	41,7	7,0	5,0	20,0	-	250	18,0	22720.0798
M12	18,0	8,5	6,0	30,0	-	250	9,2	22720.0800
M12	22,0	8,5	6,0	30,0	-	250	11,0	22720.0802
M12	27,0	8,5	6,0	30,0	-	250	14,0	22720.0803
M12	32,0	8,5	6,0	30,0	-	250	18,0	22720.0804
M12	42,0	8,5	6,0	30,0	-	250	25,0	22720.0806
M12	52,0	8,5	6,0	30,0	-	250	32,0	22720.0808
M16	23,3	12,0	8,0	60,0	-	250	22,0	22720.0810
M16	28,3	12,0	8,0	60,0	-	250	27,0	22720.0812
M16	38,3	12,0	8,0	60,0	-	250	41,0	22720.0814
M16	53,3	12,0	8,0	60,0	-	250	61,0	22720.0816
<b>bilă plină din termoplastic, Oțel inoxidabil</b>								
M 4	6,0	2,5	2,0	0,3	-30	80	0,2	22720.0252
M 4	8,0	2,5	2,0	0,3	-30	80	0,4	22720.0253
M 4	10,0	2,5	2,0	0,3	-30	80	0,5	22720.0254
M 4	12,0	2,5	2,0	0,3	-30	80	0,6	22720.0255
M 4	16,0	2,5	2,0	0,3	-30	80	0,9	22720.0256
M 5	8,0	3,0	2,5	0,5	-30	80	0,8	22720.0262
M 5	10,0	3,0	2,5	0,5	-30	80	0,7	22720.0263
M 5	12,0	3,0	2,5	0,5	-30	80	1,0	22720.0264
M 5	16,0	3,0	2,5	0,5	-30	80	1,5	22720.0265
M 5	20,0	3,0	2,5	0,5	-30	80	1,9	22720.0266
M 5	25,0	3,0	2,5	0,5	-30	80	2,5	22720.0267
M 6	10,8	4,0	3,0	0,9	-30	80	1,1	22720.0272
M 6	12,8	4,0	3,0	0,9	-30	80	1,4	22720.0273
M 6	16,8	4,0	3,0	0,9	-30	80	2,1	22720.0274
M 6	20,8	4,0	3,0	0,9	-30	80	2,8	22720.0275
M 6	25,8	4,0	3,0	0,9	-30	80	3,6	22720.0276
M 8	11,2	5,5	4,0	1,5	-30	80	1,9	22720.0281
M 8	13,2	5,5	4,0	1,5	-30	80	2,3	22720.0282
M 8	17,2	5,5	4,0	1,5	-30	80	3,6	22720.0283
M 8	21,2	5,5	4,0	1,5	-30	80	4,6	22720.0284
M 8	26,2	5,5	4,0	1,5	-30	80	6,3	22720.0285
M 8	31,2	5,5	4,0	1,5	-30	80	7,7	22720.0286
M10	13,7	7,0	5,0	2,0	-30	80	3,5	22720.0291
M10	17,7	7,0	5,0	2,0	-30	80	4,9	22720.0292
M10	21,7	7,0	5,0	2,0	-30	80	6,8	22720.0293
M10	26,7	7,0	5,0	2,0	-30	80	9,2	22720.0294
M10	31,7	7,0	5,0	2,0	-30	80	12,0	22720.0295
M10	36,7	7,0	5,0	2,0	-30	80	14,0	22720.0296
M10	41,7	7,0	5,0	2,0	-30	80	16,0	22720.0297
M12	18,0	8,5	6,0	3,0	-30	80	7,1	22720.0301
M12	22,0	8,5	6,0	3,0	-30	80	8,8	22720.0302
M12	27,0	8,5	6,0	3,0	-30	80	12,0	22720.0303
M12	32,0	8,5	6,0	3,0	-30	80	16,0	22720.0304
M12	42,0	8,5	6,0	3,0	-30	80	23,0	22720.0306
M12	52,0	8,5	6,0	3,0	-30	80	30,0	22720.0308
<b>bilă plină din termoplastic, Oțel tratat termic</b>								
M 4	6,0	2,5	2,0	0,3	-30	80	0,2	22720.0342
M 4	8,0	2,5	2,0	0,3	-30	80	0,4	22720.0343
M 4	10,0	2,5	2,0	0,3	-30	80	0,5	22720.0344
M 4	12,0	2,5	2,0	0,3	-30	80	0,6	22720.0345
M 4	16,0	2,5	2,0	0,3	-30	80	0,9	22720.0346
M 5	8,0	3,0	2,5	0,5	-30	80	0,8	22720.0352
M 5	10,0	3,0	2,5	0,5	-30	80	0,7	22720.0353
M 5	12,0	3,0	2,5	0,5	-30	80	1,0	22720.0354
M 5	16,0	3,0	2,5	0,5	-30	80	1,5	22720.0355
M 5	20,0	3,0	2,5	0,5	-30	80	1,9	22720.0356
M 5	25,0	3,0	2,5	0,5	-30	80	2,5	22720.0358

<sup>1)</sup> Datele referitor sarcină nu sunt valabile pentru oțel inoxidabil (exceptand varianta cu bilă din termoplastic).

d <sub>1</sub>	Dimensiuni		SW [mm]	Capacitate portantă la sarcină statică <sup>1)</sup> max. [kN]	min. — max. [°C]		[g]	Ref. Nr.
	l <sub>1</sub> [mm]	Diametrul bilei						
M 6	10,8	4,0	3,0	0,9	-30	80	1,1	<a href="#">22720.0362</a>
M 6	12,8	4,0	3,0	0,9	-30	80	1,4	<a href="#">22720.0363</a>
M 6	16,8	4,0	3,0	0,9	-30	80	2,1	<a href="#">22720.0364</a>
M 6	20,8	4,0	3,0	0,9	-30	80	2,8	<a href="#">22720.0365</a>
M 6	25,8	4,0	3,0	0,9	-30	80	3,6	<a href="#">22720.0366</a>
M 8	11,2	5,5	4,0	1,5	-30	80	1,9	<a href="#">22720.0381</a>
M 8	13,2	5,5	4,0	1,5	-30	80	2,3	<a href="#">22720.0382</a>
M 8	17,2	5,5	4,0	1,5	-30	80	3,6	<a href="#">22720.0383</a>
M 8	21,2	5,5	4,0	1,5	-30	80	4,6	<a href="#">22720.0384</a>
M 8	26,2	5,5	4,0	1,5	-30	80	6,3	<a href="#">22720.0385</a>
M 8	31,2	5,5	4,0	1,5	-30	80	7,7	<a href="#">22720.0386</a>
M10	13,7	7,0	5,0	2,0	-30	80	3,5	<a href="#">22720.0401</a>
M10	17,7	7,0	5,0	2,0	-30	80	4,9	<a href="#">22720.0402</a>
M10	21,7	7,0	5,0	2,0	-30	80	6,8	<a href="#">22720.0403</a>
M10	26,7	7,0	5,0	2,0	-30	80	9,2	<a href="#">22720.0404</a>
M10	31,7	7,0	5,0	2,0	-30	80	12,0	<a href="#">22720.0405</a>
M10	36,7	7,0	5,0	2,0	-30	80	14,0	<a href="#">22720.0406</a>
M10	41,7	7,0	5,0	2,0	-30	80	16,0	<a href="#">22720.0408</a>
M12	18,0	8,5	6,0	3,0	-30	80	7,1	<a href="#">22720.0421</a>
M12	22,0	8,5	6,0	3,0	-30	80	8,8	<a href="#">22720.0422</a>
M12	27,0	8,5	6,0	3,0	-30	80	12,0	<a href="#">22720.0423</a>
M12	32,0	8,5	6,0	3,0	-30	80	16,0	<a href="#">22720.0424</a>
M12	42,0	8,5	6,0	3,0	-30	80	23,0	<a href="#">22720.0426</a>
M12	52,0	8,5	6,0	3,0	-30	80	30,0	<a href="#">22720.0428</a>

<sup>1)</sup> Datele referitor sarcină nu sunt valabile pentru oțel inoxidabil (exceptand varianta cu bilă din termoplastic).

### Exemplu de aplicație



### Reclamație

Pentru detalii suplimentare despre conformitate, vă rugăm să selectați codul produsului dorit.