

## Bolțuri de poziționare • cu bilă la capăt

### EH 22630.



#### Descrierea produsului

Bolțul cu bilă la capăt facilitează introducerea pieselor de lucru și evită înclinarea fixării.

#### Material

- Oțel pentru scule, călit, șlefuit și brunat
- Oțel inoxidabil 1.4305, șlefuit, suprafață călită

#### Mai multe informații

#### Produse asociate

- Bolțuri de poziționare, DIN 6321
- Bolțuri de poziționare, înșurubabil similar DIN 6321

#### Desen

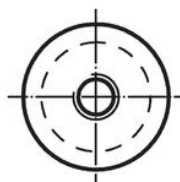
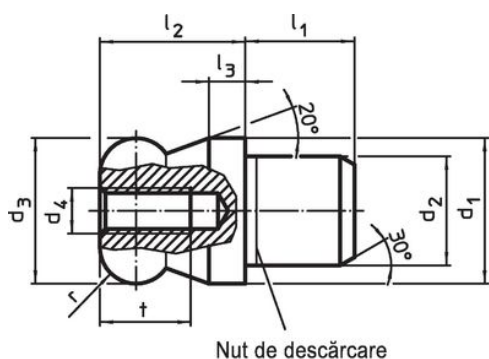


Figura 1



Figura 2

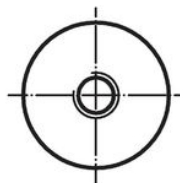
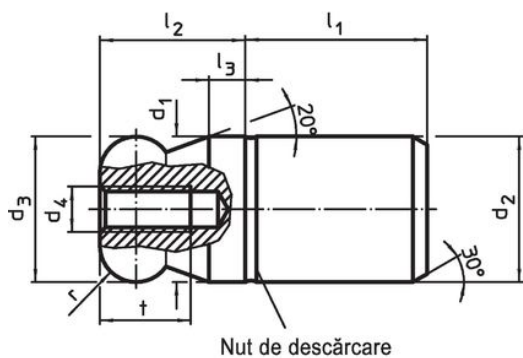
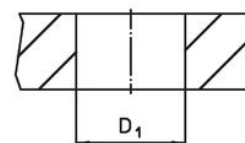


Figura 3




Figura 4



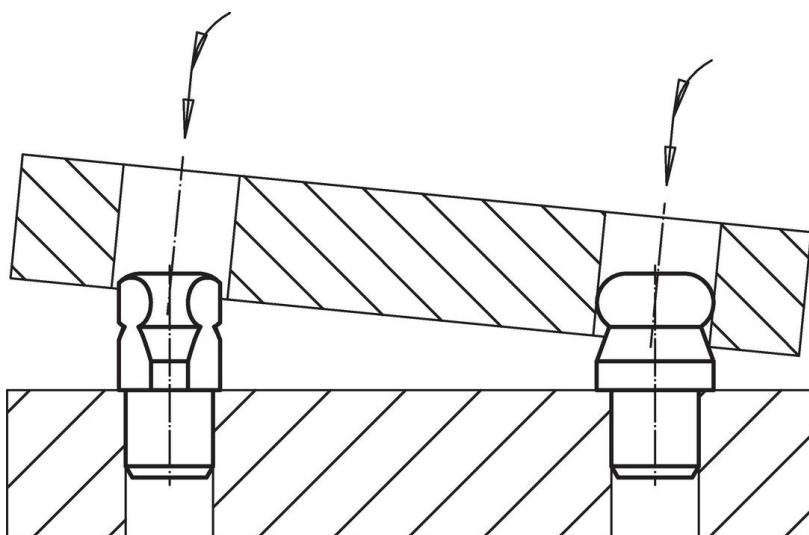
#### Informații comandă

d <sub>1</sub>	d <sub>2</sub>	d <sub>3</sub>	d <sub>4</sub>	l <sub>1</sub>	Dimensiuni					Poziție orificiu D <sub>1</sub> H7	[g]	Ref. Nr.
					l <sub>2</sub>	l <sub>3</sub>	t	r	b			
g6	n6	-0,01 -0,05			[mm]					[mm]		
<b>cu bilă la capăt, plină – figura 1, Oțel pentru scule</b>												
6	4	6	M2,5	4	6	2,0	4,5	1,0	–	4	1,8	22630.0306
8	6	8	M3	6	8	2,0	6,0	2,0	–	6	3,9	22630.0308
10	7	10	M3	7	10	2,5	6,0	2,5	–	7	6,7	22630.0310
12	8	12	M4	8	12	3,0	8,0	3,0	–	8	11,0	22630.0312
14	10	14	M4	10	14	3,5	8,0	3,5	–	10	20,0	22630.0314
16	12	16	M5	12	16	4,0	10,0	4,0	–	12	31,0	22630.0316
20	14	20	M5	14	20	5,0	10,0	5,0	–	14	58,0	22630.0320
22	16	22	M5	16	22	5,5	10,0	5,5	–	16	81,0	22630.0322
25	18	25	M5	18	25	6,0	10,0	6,0	–	18	118,0	22630.0325

d <sub>1</sub> g6	d <sub>2</sub> n6	d <sub>3</sub> -0,01 -0,05	d <sub>4</sub>	Dimensiuni						t	r	b	Poziție orificiu D <sub>1</sub> H7 [mm]	 [g]	Ref. Nr.
				l <sub>1</sub>	l <sub>2</sub>	l <sub>3</sub>	[mm]								
<b>cu bilă la capăt, plină – figura 1, Oțel inoxidabil</b>															
6	4	6	M2,5	4	6	2,0	4,5	1,0	–	–	–	4	1,8	22630.0346	
8	6	8	M3	6	8	2,0	6,0	2,0	–	–	–	6	4,0	22630.0348	
10	7	10	M3	7	10	2,5	6,0	2,5	–	–	–	7	6,7	22630.0350	
12	8	12	M4	8	12	3,0	8,0	3,0	–	–	–	8	11,0	22630.0352	
14	10	14	M4	10	14	3,5	8,0	3,5	–	–	–	10	20,0	22630.0354	
16	12	16	M5	12	16	4,0	10,0	4,0	–	–	–	12	31,0	22630.0356	
20	14	20	M5	14	20	5,0	10,0	5,0	–	–	–	14	58,0	22630.0360	
<b>cu bilă teșită – figura 2, Oțel pentru scule</b>															
6	4	6	M2,5	4	6	2,0	4,5	1,0	1,70	–	–	4	1,5	22630.0406	
8	6	8	M3	6	8	2,0	6,0	2,0	2,00	–	–	6	3,2	22630.0408	
10	7	10	M3	7	10	2,5	6,0	2,5	2,50	–	–	7	5,3	22630.0410	
12	8	12	M4	8	12	3,0	8,0	3,0	2,50	–	–	8	8,0	22630.0412	
14	10	14	M4	10	14	3,5	8,0	3,5	3,76	–	–	10	16,0	22630.0414	
16	12	16	M5	12	16	4,0	10,0	4,0	4,30	–	–	12	25,0	22630.0416	
20	14	20	M5	14	20	5,0	10,0	5,0	5,00	–	–	14	46,0	22630.0420	
22	16	22	M5	16	22	5,5	10,0	5,5	5,00	–	–	16	63,0	22630.0422	
25	18	25	M5	18	25	6,0	10,0	6,0	5,60	–	–	18	92,0	22630.0425	
<b>cu bilă teșită – figura 2, Oțel inoxidabil</b>															
6	4	6	M2,5	4	6	2,0	4,5	1,0	1,70	–	–	4	1,5	22630.0446	
8	6	8	M3	6	8	2,0	6,0	2,0	2,00	–	–	6	3,2	22630.0448	
10	7	10	M3	7	10	2,5	6,0	2,5	2,50	–	–	7	5,3	22630.0450	
12	8	12	M4	8	12	3,0	8,0	3,0	2,50	–	–	8	8,0	22630.0452	
14	10	14	M4	10	14	3,5	8,0	3,5	3,76	–	–	10	16,0	22630.0454	
16	12	16	M5	12	16	4,0	10,0	4,0	4,30	–	–	12	25,0	22630.0456	
20	14	20	M5	14	20	5,0	10,0	5,0	5,00	–	–	14	46,0	22630.0460	
<b>cu bilă la capăt, plină, – figura 3, Oțel pentru scule</b>															
5	5	5	M2,5	6	5	2,0	4,5	1,0	–	–	–	5	2,4	22630.0505	
6	6	6	M3	8	6	2,0	5,0	1,0	–	–	–	6	2,9	22630.0506	
8	8	8	M3	10	8	2,0	6,0	2,0	–	–	–	8	6,0	22630.0508	
10	10	10	M3	13	10	2,5	6,0	2,5	–	–	–	10	12,0	22630.0510	
12	12	12	M4	15	12	3,0	8,0	3,0	–	–	–	12	21,0	22630.0512	
14	14	14	M4	17	14	3,5	8,0	3,5	–	–	–	14	34,0	22630.0514	
16	16	16	M5	20	16	4,0	10,0	4,0	–	–	–	16	51,0	22630.0516	
20	20	20	M5	25	20	5,0	10,0	5,0	–	–	–	20	101,0	22630.0520	
25	25	25	M5	25	25	6,0	10,0	6,0	–	–	–	25	176,0	22630.0525	
30	30	30	M6	30	30	8,0	12,0	8,0	–	–	–	30	307,0	22630.0530	
40	40	40	M6	40	40	10,0	12,0	10,0	–	–	–	40	729,0	22630.0540	
50	50	50	M6	50	50	12,0	12,0	12,0	–	–	–	50	1422,0	22630.0550	
<b>cu bilă la capăt, plină, – figura 3, Oțel inoxidabil</b>															
5	5	5	M2,5	6	5	2,0	4,5	1,0	–	–	–	5	1,8	22630.0565	
6	6	6	M3	8	6	2,0	5,0	1,0	–	–	–	6	3,4	22630.0566	
8	8	8	M3	10	8	2,0	6,0	2,0	–	–	–	8	6,0	22630.0568	
10	10	10	M3	13	10	2,5	6,0	2,5	–	–	–	10	12,0	22630.0570	
12	12	12	M4	15	12	3,0	8,0	3,0	–	–	–	12	21,0	22630.0572	
14	14	14	M4	17	14	3,5	8,0	3,5	–	–	–	14	34,0	22630.0574	
16	16	16	M5	20	16	4,0	10,0	4,0	–	–	–	16	51,0	22630.0576	
20	20	20	M5	25	20	5,0	10,0	5,0	–	–	–	20	101,0	22630.0580	
<b>cu bilă la capăt, teșită, – figura 4, Oțel pentru scule</b>															
5	5	5	M2,5	6	5	2,0	4,5	1,0	1,50	–	–	5	1,2	22630.0605	
6	6	6	M3	8	6	2,0	5,0	1,0	1,80	–	–	6	3,1	22630.0606	
8	8	8	M3	10	8	2,0	6,0	2,0	1,90	–	–	8	5,0	22630.0608	
10	10	10	M3	13	10	2,5	6,0	2,5	2,50	–	–	10	11,0	22630.0610	
12	12	12	M4	15	12	3,0	8,0	3,0	2,50	–	–	12	17,0	22630.0612	
14	14	14	M4	17	14	3,5	8,0	3,5	3,90	–	–	14	30,0	22630.0614	
16	16	16	M5	20	16	4,0	10,0	4,0	4,30	–	–	16	44,0	22630.0616	
20	20	20	M5	25	20	5,0	10,0	5,0	5,00	–	–	20	88,0	22630.0620	

d <sub>1</sub> g6	d <sub>2</sub> n6	d <sub>3</sub> -0,01 -0,05	d <sub>4</sub>	Dimensiuni						Poziție orificiu D <sub>1</sub> H7 [mm]	[g]	Ref. Nr.
				l <sub>1</sub>	l <sub>2</sub>	l <sub>3</sub>	t	r	b			
[mm]												
25	25	25	M5	25	25	6,0	10,0	6,0	5,60	25	149,0	22630.0625
30	30	30	M6	30	30	8,0	12,0	8,0	8,80	30	270,0	22630.0630
40	40	40	M6	40	40	10,0	12,0	10,0	12,80	40	657,0	22630.0640
50	50	50	M6	50	50	12,0	12,0	12,0	16,70	50	1243,0	22630.0650
<b>cu bilă la capăt, teșită, – figura 4, Oțel inoxidabil</b>												
5	5	5	M2,5	6	5	2,0	4,5	1,0	1,50	5	1,1	22630.0665
6	6	6	M3	8	6	2,0	5,0	1,0	1,80	6	2,3	22630.0666
8	8	8	M3	10	8	2,0	6,0	2,0	1,90	8	5,0	22630.0668
10	10	10	M3	13	10	2,5	6,0	2,5	2,50	10	11,0	22630.0670
12	12	12	M4	15	12	3,0	8,0	3,0	2,50	12	17,0	22630.0672
14	14	14	M4	17	14	3,5	8,0	3,5	3,90	14	30,0	22630.0674
16	16	16	M5	20	16	4,0	10,0	4,0	4,30	16	44,0	22630.0676
20	20	20	M5	25	20	5,0	10,0	5,0	5,00	20	88,0	22630.0680

### Exemplu de aplicație



### Reclamație

#### Conform RoHS

Sunt conforme Directivei 2011/65/UE și Directivei 2015/863.

#### Nu conține materiale SVHC

Nu conține substanțe SVHC cu mai mult de 0,1% w/w - lista SVHC din 27.06.2024.

#### Nu conține substanțe din Declarația 65

Nu conține substanțe din Declarația 65.

<https://www.P65Warnings.ca.gov/>

#### Nu conține Minerale de conflict

Acest produs nu conține substanțe desemnate drept „minerale de conflict” precum tantalul, staniul, aurul sau wolfram din Republica Democratică Congo sau din țările adiacente.