

Picioare de susținere • protejat împotriva alunecării

EH 22593.



Descrierea produsului

Picioarele de sprijin sunt universal utilizate ca picioare reglabile. La modelul cu capac din cauciuc, suprafețele sensibile sunt protejate, iar alunecarea este prevenită. Placa este fixată pe știftul filetat și piulița printr-un șurub de fixare din oțel inoxidabil și este, lipit.

Material

Știft filetat

- Oțel, zincat prin galvanizare, pasivat
- Oțel inoxidabil 1.4305

Capac din cauciuc

- Cauciuc, negru

Piuliță

- Oțel, zincat prin galvanizare, pasivat
- Oțel inoxidabil 1.4305

Piuliță de fixare

- Oțel, zincat prin galvanizare, pasivat, ISO 4032
- Oțel inoxidabil A2, ISO 4032

Tampon

- Oțel, zincat prin galvanizare, pasivat
- Oțel inoxidabil 1.4301, acoperit prin vibrație

Mai multe informații

Produse asociate

- Picioare de susținere

Desen

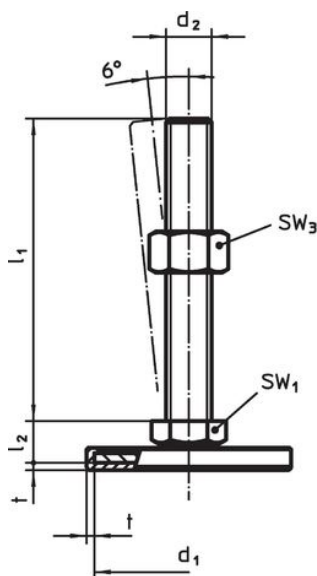


Figura 1

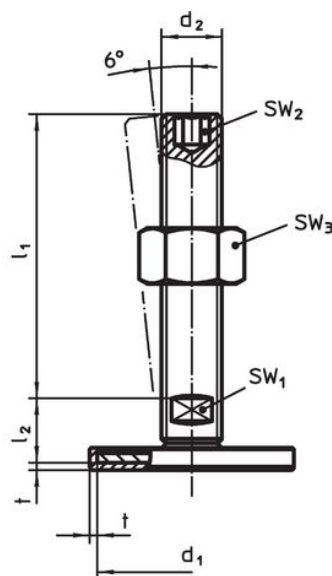


Figura 2

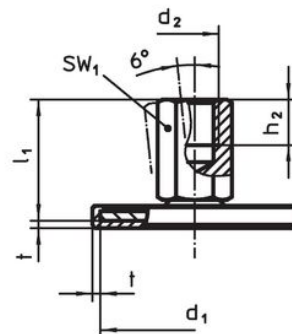




Figura 3

Informații comandă

d ₁	d ₂	Dimensiuni				SW ₁	SW ₂	SW ₃	[g]	Ref. Nr.
		l ₁	h ₂	l ₂	t					
[mm]										
cu șurub – figura 1, Oțel										
40	M 8	40	–	11	1,5	17	–	13	51	22593.0305
40	M 8	50	–	11	1,5	17	–	13	51	22593.0310
40	M 8	63	–	11	1,5	17	–	13	56	22593.0315
40	M10	50	–	11	1,5	17	–	16	65	22593.0320
40	M10	60	–	11	1,5	17	–	16	71	22593.0325
40	M10	80	–	11	1,5	17	–	16	80	22593.0330
40	M10	100	–	11	1,5	17	–	16	94	22593.0335
40	M12	60	–	11	1,5	17	–	18	86	22593.0340

d ₁	d ₂	Dimensiuni				t	SW ₁	SW ₂	SW ₃	T	Ref. Nr.
		l ₁	h ₂	l ₂	[mm]						
40	M12	80	–	11	1,5	17	–	18	102	22593.0345	
40	M12	100	–	11	1,5	17	–	18	118	22593.0350	
40	M12	125	–	11	1,5	17	–	18	136	22593.0355	
50	M 8	40	–	11	2,0	17	–	13	70	22593.0360	
50	M 8	50	–	11	2,0	17	–	13	74	22593.0365	
50	M 8	63	–	11	2,0	17	–	13	77	22593.0370	
50	M10	50	–	11	2,0	17	–	16	87	22593.0375	
50	M10	60	–	11	2,0	17	–	16	91	22593.0380	
50	M10	80	–	11	2,0	17	–	16	103	22593.0385	
50	M10	100	–	11	2,0	17	–	16	113	22593.0390	
50	M12	60	–	11	2,0	17	–	18	109	22593.0395	
50	M12	80	–	11	2,0	17	–	18	110	22593.0400	
50	M12	100	–	11	2,0	17	–	18	139	22593.0405	
50	M12	125	–	11	2,0	17	–	18	156	22593.0410	
60	M 8	40	–	11	2,0	17	–	13	90	22593.0415	
60	M 8	50	–	11	2,0	17	–	13	91	22593.0420	
60	M 8	63	–	11	2,0	17	–	13	98	22593.0425	
60	M10	50	–	11	2,0	17	–	16	110	22593.0430	
60	M10	60	–	11	2,0	17	–	16	110	22593.0435	
60	M10	80	–	11	2,0	17	–	16	122	22593.0440	
60	M10	100	–	11	2,0	17	–	16	132	22593.0445	
60	M12	60	–	11	2,0	17	–	18	129	22593.0450	
60	M12	80	–	11	2,0	17	–	18	143	22593.0455	
60	M12	100	–	11	2,0	17	–	18	158	22593.0460	
60	M12	125	–	11	2,0	17	–	18	177	22593.0465	
80	M 8	40	–	12	2,0	17	–	13	158	22593.0470	
80	M 8	50	–	12	2,0	17	–	13	164	22593.0475	
80	M 8	63	–	12	2,0	17	–	13	166	22593.0480	
80	M10	50	–	12	2,0	17	–	16	176	22593.0485	
80	M10	60	–	12	2,0	17	–	16	181	22593.0490	
80	M10	80	–	12	2,0	17	–	16	192	22593.0495	
80	M10	100	–	12	2,0	17	–	16	201	22593.0500	
80	M12	60	–	12	2,0	17	–	18	199	22593.0505	
80	M12	80	–	12	2,0	17	–	18	213	22593.0510	
80	M12	100	–	12	2,0	17	–	18	230	22593.0515	
80	M12	125	–	12	2,0	17	–	18	245	22593.0520	
cu șurub – figura 2, Oțel											
40	M16	75	–	17	1,5	12	8	24	154	22593.0805	
40	M16	100	–	17	1,5	12	8	24	186	22593.0810	
40	M16	125	–	17	1,5	12	8	24	219	22593.0815	
40	M16	150	–	17	1,5	12	8	24	254	22593.0820	
40	M16	200	–	17	1,5	12	8	24	318	22593.0825	
50	M16	75	–	17	2,0	12	8	24	177	22593.0830	
50	M16	100	–	17	2,0	12	8	24	209	22593.0835	
50	M16	125	–	17	2,0	12	8	24	244	22593.0840	
50	M16	150	–	17	2,0	12	8	24	278	22593.0845	
50	M16	200	–	17	2,0	12	8	24	342	22593.0850	
60	M16	75	–	17	2,0	12	8	24	196	22593.0855	
60	M16	100	–	17	2,0	12	8	24	228	22593.0860	
60	M16	125	–	17	2,0	12	8	24	262	22593.0865	
60	M16	150	–	17	2,0	12	8	24	295	22593.0870	
60	M16	200	–	17	2,0	12	8	24	358	22593.0875	
80	M16	75	–	18	2,0	12	8	24	266	22593.0880	
80	M16	100	–	18	2,0	12	8	24	299	22593.0885	
80	M16	125	–	18	2,0	12	8	24	332	22593.0890	
80	M16	150	–	18	2,0	12	8	24	358	22593.0895	
80	M16	200	–	18	2,0	12	8	24	432	22593.0900	
80	M20	75	–	19	2,0	15	10	30	355	22593.0905	
80	M20	100	–	19	2,0	15	10	30	405	22593.0910	
80	M20	125	–	19	2,0	15	10	30	454	22593.0915	
80	M20	150	–	19	2,0	15	10	30	507	22593.0920	
80	M20	200	–	19	2,0	15	10	30	614	22593.0925	

d ₁	d ₂	Dimensiuni				SW ₁	SW ₂	SW ₃		Ref. Nr.
		l ₁	h ₂	l ₂	t					
		[mm]				[mm]	[mm]	[mm]	[g]	
80	M24	100	–	22	2,0	19	12	36	546	22593.0930
80	M24	125	–	22	2,0	19	12	36	626	22593.0935
80	M24	150	–	22	2,0	19	12	36	693	22593.0940
80	M24	200	–	22	2,0	19	12	36	847	22593.0945
cu filet interior – figura 3, Oțel										
40	M 8	25	8	–	1,5	14	–	–	46	22593.1105
40	M10	28	10	–	1,5	14	–	–	46	22593.1110
40	M12	31	12	–	1,5	17	–	–	63	22593.1115
40	M16	37	16	–	1,5	22	–	–	98	22593.1120
50	M 8	25	8	–	2,0	14	–	–	69	22593.1125
50	M10	28	10	–	2,0	14	–	–	67	22593.1130
50	M12	32	12	–	2,0	17	–	–	84	22593.1135
50	M16	37	16	–	2,0	22	–	–	121	22593.1140
60	M 8	25	8	–	2,0	14	–	–	88	22593.1145
60	M10	28	10	–	2,0	14	–	–	88	22593.1150
60	M12	32	12	–	2,0	17	–	–	104	22593.1155
60	M16	37	16	–	2,0	22	–	–	142	22593.1160
80	M 8	26	8	–	2,0	14	–	–	156	22593.1165
80	M10	29	10	–	2,0	14	–	–	159	22593.1170
80	M12	32	12	–	2,0	17	–	–	173	22593.1175
80	M16	38	16	–	2,0	22	–	–	209	22593.1180
80	M20	45	20	–	2,0	27	–	–	268	22593.1185
cu șurub – figura 1, Oțel inoxidabil										
40	M 8	40	–	11	1,5	17	–	13	51	22593.1805
40	M 8	50	–	11	1,5	17	–	13	51	22593.1810
40	M 8	63	–	11	1,5	17	–	13	56	22593.1815
40	M10	50	–	11	1,5	17	–	16	65	22593.1820
40	M10	60	–	11	1,5	17	–	16	71	22593.1825
40	M10	80	–	11	1,5	17	–	16	80	22593.1830
40	M10	100	–	11	1,5	17	–	16	94	22593.1835
40	M12	60	–	11	1,5	17	–	18	86	22593.1840
40	M12	80	–	11	1,5	17	–	18	102	22593.1845
40	M12	100	–	11	1,5	17	–	18	118	22593.1850
40	M12	125	–	11	1,5	17	–	18	136	22593.1855
50	M 8	40	–	11	2,0	17	–	13	70	22593.1860
50	M 8	50	–	11	2,0	17	–	13	74	22593.1865
50	M 8	63	–	11	2,0	17	–	13	77	22593.1870
50	M10	50	–	11	2,0	17	–	16	87	22593.1875
50	M10	60	–	11	2,0	17	–	16	91	22593.1880
50	M10	80	–	11	2,0	17	–	16	103	22593.1885
50	M10	100	–	11	2,0	17	–	16	113	22593.1890
50	M12	60	–	11	2,0	17	–	18	109	22593.1895
50	M12	80	–	11	2,0	17	–	18	110	22593.1900
50	M12	100	–	11	2,0	17	–	18	139	22593.1905
50	M12	125	–	11	2,0	17	–	18	156	22593.1910
60	M 8	40	–	11	2,0	17	–	13	90	22593.1915
60	M 8	50	–	11	2,0	17	–	13	91	22593.1920
60	M 8	63	–	11	2,0	17	–	13	98	22593.1925
60	M10	50	–	11	2,0	17	–	16	110	22593.1930
60	M10	60	–	11	2,0	17	–	16	110	22593.1935
60	M10	80	–	11	2,0	17	–	16	122	22593.1940
60	M10	100	–	11	2,0	17	–	16	132	22593.1945
60	M12	60	–	11	2,0	17	–	18	129	22593.1950
60	M12	80	–	11	2,0	17	–	18	143	22593.1955
60	M12	100	–	11	2,0	17	–	18	158	22593.1960
60	M12	125	–	11	2,0	17	–	18	177	22593.1965
80	M 8	40	–	12	2,0	17	–	13	158	22593.1970
80	M 8	50	–	12	2,0	17	–	13	164	22593.1975
80	M 8	63	–	12	2,0	17	–	13	166	22593.1980
80	M10	50	–	12	2,0	17	–	16	176	22593.1985
80	M10	60	–	12	2,0	17	–	16	181	22593.1990
80	M10	80	–	12	2,0	17	–	16	192	22593.1995

d ₁	d ₂	Dimensiuni				SW ₁	SW ₂	SW ₃		Ref. Nr.
		l ₁	h ₂	l ₂	t					
		[mm]				[mm]	[mm]	[mm]	[g]	
80	M10	100	–	12	2,0	17	–	16	201	22593.2000
80	M12	60	–	12	2,0	17	–	18	199	22593.2005
80	M12	80	–	12	2,0	17	–	18	213	22593.2010
80	M12	100	–	12	2,0	17	–	18	230	22593.2015
80	M12	125	–	12	2,0	17	–	18	245	22593.2020
cu șurub – figura 2, Oțel inoxidabil										
40	M16	75	–	17	1,5	12	8	24	154	22593.2305
40	M16	100	–	17	1,5	12	8	24	186	22593.2310
40	M16	125	–	17	1,5	12	8	24	219	22593.2315
40	M16	150	–	17	1,5	12	8	24	254	22593.2320
40	M16	200	–	17	1,5	12	8	24	318	22593.2325
50	M16	75	–	17	2,0	12	8	24	177	22593.2330
50	M16	100	–	17	2,0	12	8	24	209	22593.2335
50	M16	125	–	17	2,0	12	8	24	244	22593.2340
50	M16	150	–	17	2,0	12	8	24	278	22593.2345
50	M16	200	–	17	2,0	12	8	24	342	22593.2350
60	M16	75	–	17	2,0	12	8	24	196	22593.2355
60	M16	100	–	17	2,0	12	8	24	228	22593.2360
60	M16	125	–	17	2,0	12	8	24	262	22593.2365
60	M16	150	–	17	2,0	12	8	24	295	22593.2370
60	M16	200	–	17	2,0	12	8	24	358	22593.2375
80	M16	75	–	18	2,0	12	8	24	266	22593.2380
80	M16	100	–	18	2,0	12	8	24	299	22593.2385
80	M16	125	–	18	2,0	12	8	24	332	22593.2390
80	M16	150	–	18	2,0	12	8	24	358	22593.2395
80	M16	200	–	18	2,0	12	8	24	432	22593.2400
80	M20	75	–	19	2,0	15	10	30	355	22593.2405
80	M20	100	–	19	2,0	15	10	30	405	22593.2410
80	M20	125	–	19	2,0	15	10	30	454	22593.2415
80	M20	150	–	19	2,0	15	10	30	507	22593.2420
80	M20	200	–	19	2,0	15	10	30	614	22593.2425
80	M24	100	–	22	2,0	19	12	36	546	22593.2430
80	M24	125	–	22	2,0	19	12	36	626	22593.2435
80	M24	150	–	22	2,0	19	12	36	693	22593.2440
80	M24	200	–	22	2,0	19	12	36	847	22593.2445
cu filet interior – figura 3, Oțel inoxidabil										
40	M 8	25	8	–	1,5	14	–	–	46	22593.2605
40	M10	28	10	–	1,5	14	–	–	46	22593.2610
40	M12	31	12	–	1,5	17	–	–	63	22593.2615
40	M16	37	16	–	1,5	22	–	–	98	22593.2620
50	M 8	25	8	–	2,0	14	–	–	69	22593.2625
50	M10	28	10	–	2,0	14	–	–	67	22593.2630
50	M12	32	12	–	2,0	17	–	–	84	22593.2635
50	M16	37	16	–	2,0	22	–	–	121	22593.2640
60	M 8	25	8	–	2,0	14	–	–	88	22593.2645
60	M10	28	10	–	2,0	14	–	–	88	22593.2650
60	M12	32	12	–	2,0	17	–	–	104	22593.2655
60	M16	37	16	–	2,0	22	–	–	142	22593.2660
80	M 8	26	8	–	2,0	14	–	–	156	22593.2665
80	M10	29	10	–	2,0	14	–	–	159	22593.2670
80	M12	32	12	–	2,0	17	–	–	173	22593.2675
80	M16	38	16	–	2,0	22	–	–	209	22593.2680
80	M20	45	20	–	2,0	27	–	–	268	22593.2685

Reclamație

Pentru detalii suplimentare despre conformitate, vă rugăm să selectați codul produsului dorit.