

## Suporturi articulate • protejat împotriva alunecării

EH 22590.



### Descrierea produsului

Suporturile articulate pot fi utilizate ca picioare sau pentru susținere. Pot compensa suprafețe cu unghiuri de până la 15°. Capacul de plastic de pe placa previne alunecarea.

### Material

#### Element sferic

- Oțel automat, călit prin inducție, brunat
- Oțel inoxidabil 1.4305

#### Element sferic cu bilă

- Oțel tratat termic, brunat
- Oțel inoxidabil 1.4305

#### Capac din cauciuc

- Cauciuc, negru

#### Piuliță de fixare

- Oțel, brunat, ISO 4032
- Oțel, brunat, DIN 934
- Oțel inoxidabil A2, ISO 4032
- Oțel inoxidabil A2, DIN 934

#### Tampon

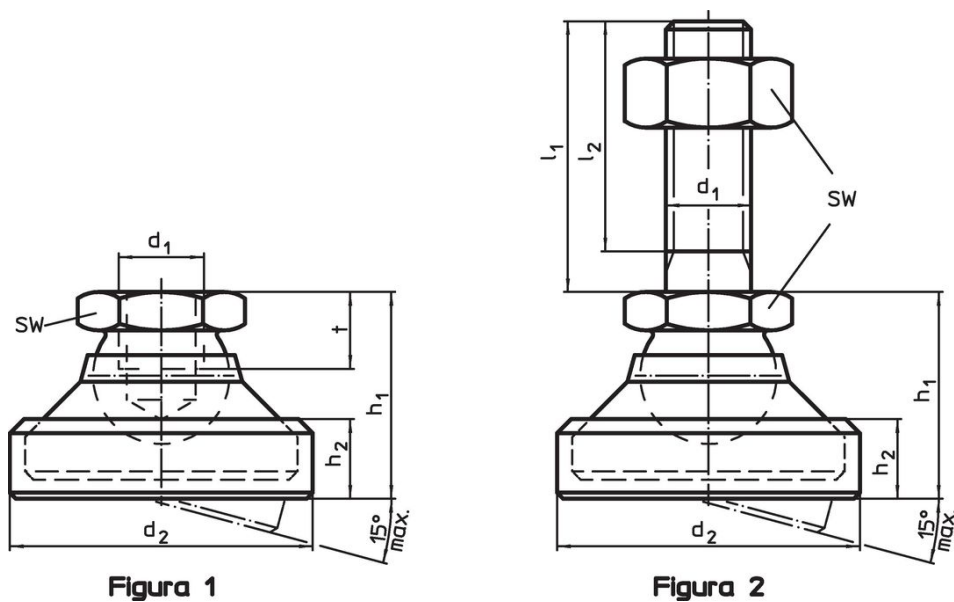
- Oțel tratat termic, cu revenire, brunat
- Oțel inoxidabil 1.4305
- Termoplastice POM, alb

### Mai multe informații

#### Note


Pentru modelele cu  $d_1 = M10$  și  $M12$  piulița este conform DIN 934.

### Desen



### Informații comandă

$d_1$	$l_1$	$d_2$	Dimensiuni				SW	Capacitate portantă la sarcină statică max.	[g]	Ref. Nr.
			$l_2$	$h_1$	$h_2$	t				
[mm]										
atenuator și element cu bilă – figura 1, Oțel tratat termic										
M 6	–	22,5	–	16,5	6,4	5,0	10	10	19,0	22590.1006
M 8	–	28,0	–	20,6	8,3	7,0	13	18	40,0	22590.1008
M10	–	36,0	–	26,0	11,0	9,0	17	20	80,0	22590.1010
M12	–	45,0	–	30,5	13,2	11,0	19	35	126,0	22590.1012
M16	–	56,0	–	37,5	15,5	13,5	24	45	241,0	22590.1016
M20	–	67,0	–	49,5	19,5	17,0	30	55	480,0	22590.1020
M24	–	69,0	–	55,0	24,0	19,0	36	65	554,0	22590.1024

d <sub>1</sub>	l <sub>1</sub>	Dimensiuni					SW [mm]	Capacitate portantă la sarcină statică max. [kN]	 [g]	Ref. Nr.
		d <sub>2</sub>	l <sub>2</sub>	h <sub>1</sub> ~	h <sub>2</sub>	t				
<b>atenuator și element cu bilă – figura 1, Oțel inoxidabil</b>										
M 6	–	22,5	–	16,5	6,4	5,0	10	8	17,0	22590.1206
M 8	–	28,0	–	20,6	8,3	7,0	13	14	36,0	22590.1208
M10	–	36,0	–	26,0	11,0	9,0	17	16	74,0	22590.1210
M12	–	45,0	–	30,5	13,2	11,0	19	28	123,0	22590.1212
M16	–	56,0	–	37,5	15,5	13,5	24	36	241,0	22590.1216
M20	–	67,0	–	49,5	19,5	17,0	30	44	500,0	22590.1220
M24	–	69,0	–	55,0	24,0	19,0	36	52	517,0	22590.1224
<b>atenuator din termoplastic, element cu bilă din oțel inoxidabil – figura 1, Termoplastic</b>										
M 6	–	22,5	–	16,5	6,4	5,0	10	4	7,8	22590.1106
M 8	–	28,0	–	20,6	8,3	7,0	13	7	17,0	22590.1108
M10	–	36,0	–	26,0	11,0	9,0	17	10	34,0	22590.1110
M12	–	45,0	–	30,5	13,2	11,0	19	18	57,0	22590.1112
M16	–	56,0	–	37,5	15,5	13,5	24	20	96,0	22590.1116
M20	–	67,0	–	49,5	19,5	17,0	30	22	190,0	22590.1120
M24	–	69,0	–	55,0	24,0	19,0	36	25	240,0	22590.1124
<b>atenuator și element bilă cu bolț – figura 2, Oțel tratat termic</b>										
M 6	60	22,5	57,0	16,5	6,4	–	10	10	32,0	22590.1410
M 8	80	28,0	76,0	20,6	8,3	–	13	18	69,0	22590.1422
M10	100	36,0	95,5	26,0	11,0	–	17	20	139,0	22590.1438
M10	150	36,0	145,5	26,0	11,0	–	17	20	165,0	22590.1442
M12	100	45,0	94,5	30,5	13,2	–	19	35	252,0	22590.1452
M12	150	45,0	144,5	30,5	13,2	–	19	35	258,0	22590.1456
M16	100	56,0	94,0	37,5	15,5	–	24	45	440,0	22590.1468
M16	200	56,0	194,0	37,5	15,5	–	24	45	600,0	22590.1472
M20	100	67,0	92,5	49,5	19,5	–	30	55	762,0	22590.1482
M20	200	67,0	192,5	49,5	19,5	–	30	55	1080,0	22590.1488
M24	100	69,0	91,0	55,0	24,0	–	36	65	1020,0	22590.1495
M24	200	69,0	191,0	55,0	24,0	–	36	65	1287,0	22590.1498
<b>atenuator și element bilă cu bolț – figura 2, Oțel inoxidabil</b>										
M 6	60	22,5	57,0	16,5	6,4	–	10	8	30,0	22590.1610
M 8	80	28,0	76,0	20,6	8,3	–	13	14	71,0	22590.1622
M10	100	36,0	95,5	26,0	11,0	–	17	16	150,0	22590.1638
M10	150	36,0	145,5	26,0	11,0	–	17	16	169,0	22590.1642
M12	100	45,0	94,5	30,5	13,2	–	19	28	227,0	22590.1652
M12	150	45,0	144,5	30,5	13,2	–	19	28	258,0	22590.1656
M16	100	56,0	94,0	37,5	15,5	–	24	36	441,0	22590.1668
M16	200	56,0	194,0	37,5	15,5	–	24	36	630,0	22590.1672
M20	100	67,0	92,5	49,5	19,5	–	30	44	762,0	22590.1682
M20	200	67,0	192,5	49,5	19,5	–	30	44	1065,0	22590.1688
M24	100	69,0	91,0	55,0	24,0	–	36	52	1000,0	22590.1695
M24	200	69,0	191,0	55,0	24,0	–	36	52	1287,0	22590.1698
<b>atenuator din termoplastic, element bilă cu bolț din oțel inoxidabil – figura 2, Termoplastic</b>										
M 6	60	22,5	57,0	16,5	6,4	–	10	4	21,0	22590.1510
M 8	80	28,0	76,0	20,6	8,3	–	13	7	49,0	22590.1522
M10	100	36,0	95,5	26,0	11,0	–	17	10	100,0	22590.1538
M10	150	36,0	145,5	26,0	11,0	–	17	10	124,0	22590.1542
M12	100	45,0	94,5	30,5	13,2	–	19	18	150,0	22590.1552
M12	150	45,0	144,5	30,5	13,2	–	19	18	184,0	22590.1556
M16	100	56,0	94,0	37,5	15,5	–	24	20	285,0	22590.1568
M16	200	56,0	194,0	37,5	15,5	–	24	20	414,0	22590.1572
M20	100	67,0	92,5	49,5	19,5	–	30	22	573,0	22590.1582
M20	200	67,0	192,5	49,5	19,5	–	30	22	704,0	22590.1588
M24	100	69,0	91,0	55,0	24,0	–	36	25	718,0	22590.1595
M24	200	69,0	191,0	55,0	24,0	–	36	25	1016,0	22590.1598

## Reclamație

### Conform RoHS

Sunt conforme Directivei 2011/65/UE și Directivei 2015/863.

### Nu conțin materiale SVHC

Nu conține substanțe SVHC cu mai mult de 0,1% w/w - lista SVHC din 23.01.2024.

### Nu conține substanțe din Declarația 65

Nu conține substanțe din Declarația 65.

<https://www.P65Warnings.ca.gov/>

### Nu conține Minerale de conflict

Acest produs nu conține substanțe desemnate drept „minerale de conflict” precum tantalul, staniul, aurul sau wolfram din Republica Democratică Congo sau din țările adiacente.