

Suporturi articulate

EH 22590.



Descrierea produsului

Suporturile articulate pot fi utilizate ca picioare sau pentru susținere. Pot compensa suprafețe cu unghiuri de până la 15°.

Material

Element sferic

- Oțel tratat termic, cu revenire, brunat
- Oțel inoxidabil 1.4305

Element sferic cu bolt

- Oțel tratat termic, cu revenire, brunat
- Oțel inoxidabil 1.4305

Piuliță de fixare

- Oțel, brunat, ISO 4032
- Oțel, brunat, DIN 934
- Oțel inoxidabil A2, ISO 4032
- Oțel inoxidabil A2, DIN 934

Tampon

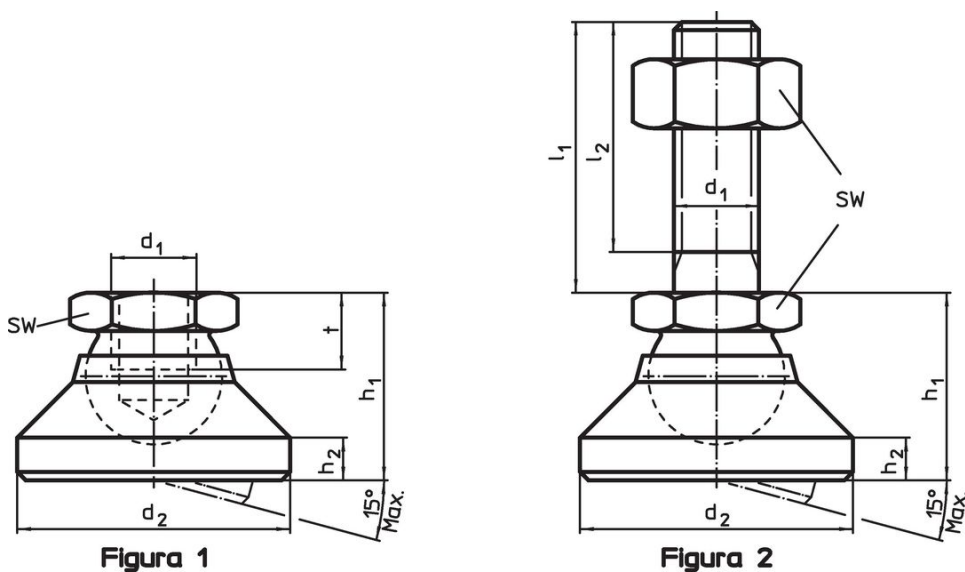
- Oțel tratat termic, brunat
- Oțel inoxidabil 1.4305
- Termoplastice POM, alb

Mai multe informații

Note



Pentru modelele cu $d_1 = M10$ și $M12$ piulița este conform DIN 934.

Desen

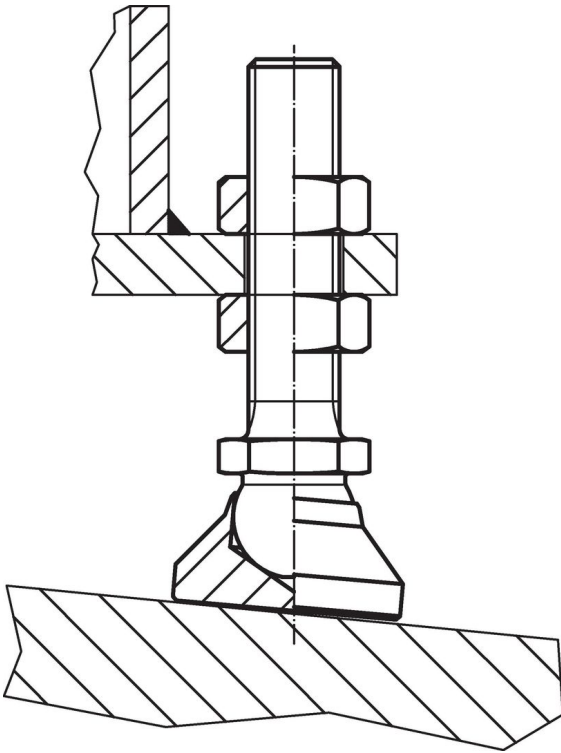


Informații comandă

d ₁	l ₁	d ₂	Dimensiuni				t	SW	Capacitate portantă la sarcină statică max.	Temperatură		[g]	Ref. Nr.	
			l ₂	h ₁	h ₂	min.				max.				
[mm]													[kN]	[°C]
atenuator și element cu bilă – figura 1, Oțel tratat termic														
M 6	–	20	–	14	2,5	5,0	10	10	–	250	15,0	22590.0006		
M 8	–	25	–	18	4,0	7,0	13	18	–	250	33,0	22590.0008		
M10	–	32	–	22	5,0	9,0	17	20	–	250	67,0	22590.0010		
M12	–	40	–	26	6,0	11,0	19	35	–	250	112,0	22590.0012		
M16	–	50	–	32	7,0	13,5	24	45	–	250	254,0	22590.0016		
M20	–	60	–	42	8,0	17,0	30	55	–	250	451,0	22590.0020		
M24	–	60	–	45	9,5	19,0	36	65	–	250	498,0	22590.0024		

d ₁	l ₁	Dimensiuni					t	SW [mm]	Capacitate portantă la sarcină statică max. [kN]	 min. max. [°C]		 [g]	Ref. Nr.
		d ₂	l ₂	h ₁ ~	h ₂	[mm]				[°C]	[g]		
atenuator și element cu bilă – figura 1, Oțel inoxidabil													
M 6	–	20	–	14	2,5	5,0	10	8	–	250	15,0	22590.0206	
M 8	–	25	–	18	4,0	7,0	13	14	–	250	33,0	22590.0208	
M10	–	32	–	22	5,0	9,0	17	16	–	250	67,0	22590.0210	
M12	–	40	–	26	6,0	11,0	19	28	–	250	113,0	22590.0212	
M16	–	50	–	32	7,0	13,5	24	36	–	250	256,0	22590.0216	
M20	–	60	–	42	8,0	17,0	30	44	–	250	452,0	22590.0220	
M24	–	60	–	45	9,5	19,0	36	52	–	250	504,0	22590.0224	
atenuator din termoplastic, element cu bilă din oțel inoxidabil – figura 1, Termoplastic													
M 6	–	20	–	14	2,5	5,0	10	4	-30	80	6,1	22590.0106	
M 8	–	25	–	18	4,0	7,0	13	7	-30	80	13,0	22590.0108	
M10	–	32	–	22	5,0	9,0	17	10	-30	80	26,0	22590.0110	
M12	–	40	–	26	6,0	11,0	19	18	-30	80	40,0	22590.0112	
M16	–	50	–	32	7,0	13,5	24	20	-30	80	75,0	22590.0116	
M20	–	60	–	42	8,0	17,0	30	22	-30	80	150,0	22590.0120	
M24	–	60	–	45	9,5	19,0	36	25	-30	80	184,0	22590.0124	
atenuator și element bilă cu bolț – figura 2, Oțel tratat termic													
M 6	60	20	57,0	14	2,5	–	10	10	–	250	29,0	22590.0410	
M 8	80	25	76,0	18	4,0	–	13	18	–	250	66,0	22590.0422	
M10	100	32	95,5	22	5,0	–	17	20	–	250	133,0	22590.0438	
M10	150	32	145,5	22	5,0	–	17	20	–	250	156,0	22590.0442	
M12	100	40	94,5	26	6,0	–	19	35	–	250	237,0	22590.0452	
M12	150	40	144,5	26	6,0	–	19	35	–	250	283,0	22590.0456	
M16	100	50	94,0	32	7,0	–	24	45	–	250	460,0	22590.0468	
M16	200	50	194,0	32	7,0	–	24	45	–	250	608,0	22590.0472	
M20	100	60	92,5	42	8,0	–	30	55	–	250	781,0	22590.0482	
M20	200	60	192,5	42	8,0	–	30	55	–	250	1015,0	22590.0488	
M24	100	60	91,0	45	9,5	–	36	65	–	250	994,0	22590.0495	
M24	200	60	191,0	45	9,5	–	36	65	–	250	1320,0	22590.0498	
atenuator și element bilă cu bolț – figura 2, Oțel inoxidabil													
M 6	60	20	57,0	14	2,5	–	10	8	–	250	29,0	22590.0610	
M 8	80	25	76,0	18	4,0	–	13	14	–	250	66,0	22590.0622	
M10	100	32	95,5	22	5,0	–	17	16	–	250	134,0	22590.0638	
M10	150	32	145,5	22	5,0	–	17	16	–	250	158,0	22590.0642	
M12	100	40	94,5	26	6,0	–	19	28	–	250	212,0	22590.0652	
M12	150	40	144,5	26	6,0	–	19	28	–	250	248,0	22590.0656	
M16	100	50	94,0	32	7,0	–	24	36	–	250	412,0	22590.0668	
M16	200	50	194,0	32	7,0	–	24	36	–	250	624,0	22590.0672	
M20	100	60	92,5	42	8,0	–	30	44	–	250	790,0	22590.0682	
M20	200	60	192,5	42	8,0	–	30	44	–	250	1031,0	22590.0688	
M24	100	60	91,0	45	9,5	–	36	52	–	250	1001,0	22590.0695	
M24	200	60	191,0	45	9,5	–	36	52	–	250	1323,0	22590.0698	
atenuator din termoplastic, element bilă cu bolț din oțel inoxidabil – figura 2, Termoplastic													
M 6	60	20	57,0	14	2,5	–	10	4	-30	80	20,0	22590.0510	
M 8	80	25	76,0	18	4,0	–	13	7	-30	80	46,0	22590.0522	
M10	100	32	95,5	22	5,0	–	17	10	-30	80	93,0	22590.0538	
M10	150	32	145,5	22	5,0	–	17	10	-30	80	117,0	22590.0542	
M12	100	40	94,5	26	6,0	–	19	18	-30	80	139,0	22590.0552	
M12	150	40	144,5	26	6,0	–	19	18	-30	80	175,0	22590.0556	
M16	100	50	94,0	32	7,0	–	24	20	-30	80	300,0	22590.0568	
M16	200	50	194,0	32	7,0	–	24	20	-30	80	399,0	22590.0572	
M20	100	60	92,5	42	8,0	–	30	22	-30	80	523,0	22590.0582	
M20	200	60	192,5	42	8,0	–	30	22	-30	80	759,0	22590.0588	
M24	100	60	91,0	45	9,5	–	36	25	-30	80	735,0	22590.0595	
M24	200	60	191,0	45	9,5	–	36	25	-30	80	1041,0	22590.0598	

Exemplu de aplicație



Reclamație

Conform RoHS

Sunt conforme Directivei 2011/65/UE și Directivei 2015/863.

Nu conțin materiale SVHC

Nu conține substanțe SVHC cu mai mult de 0,1% w/w - lista SVHC din 27.06.2024.

Nu conține substanțe din Declarația 65

Nu conține substanțe din Declarația 65.

<https://www.P65Warnings.ca.gov/>

Nu conține Minerale de conflict

Acest produs nu conține substanțe desemnate drept „minerale de conflict” precum tantalul, staniul, aurul sau wolfram din Republica Democratică Congo sau din țările adiacente.