

Șuruburi de presiune · cu bilă și locaș hexagonal EH 22030.



Descrierea produsului

Șuruburile de presiune pot fi utilizate pentru poziționare sau aplicarea de presiune, sau ca opritor.

Material

Corp

- Oțel automat, brunat
- Oțel inoxidabil 1.4305

Bilă

- Oțel pentru rulmenți, călit
- Oțel inoxidabil, călit

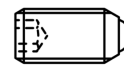
Arc

- Oțel inoxidabil

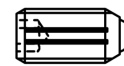
Caracteristici

Forța arcului standard: fără marcaj

Forța arcului mărită: marcaj cu două linii



Forța arc standard



Forța arc mărit

Mai multe informații

Note

Variantă specială la cerere.

Șuruburile de presiune sunt verificate referitor forță și cursa arcului.

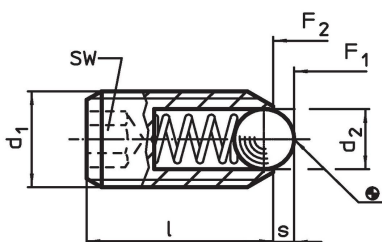
Referințe

Blocator pentru filet disponibil la cerere, vă rugăm consultați anexa - Date Tehnice - Calculul forței de fixare, vezi anexa - Date Tehnice -

Produse asociate

- Locatori, with bore hole, for spring plungers
- Locatori, smooth, for spring plungers
- Suportți, pentru șuruburi de presiune

Desen



Informații comandă

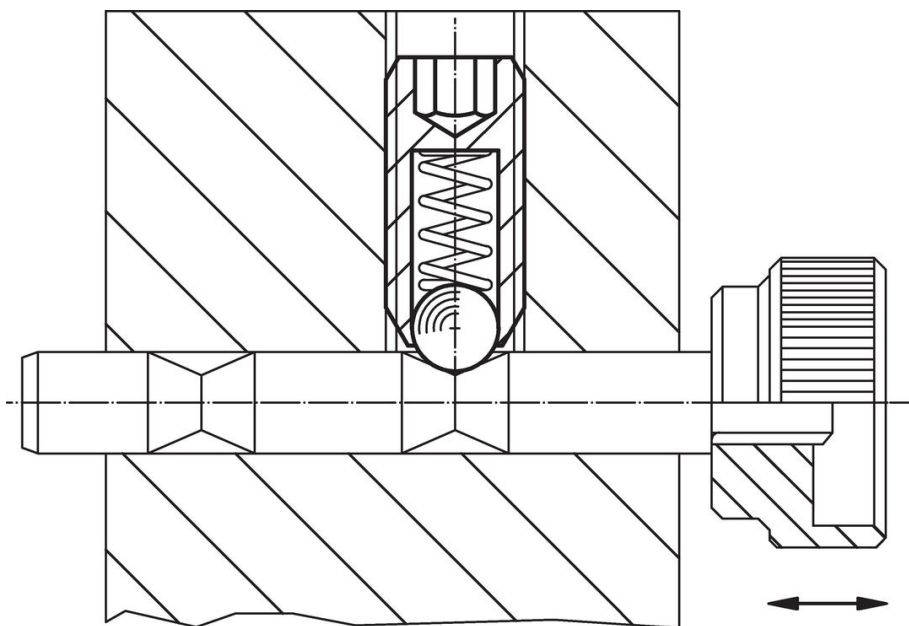
Dimensiuni			SW	Cursă s	Forța arcului ¹⁾		max. [°C]	[g]	Ref. Nr.
d ₁	d ₂	l			F ₁	F ₂			
[mm]			[mm]	[mm]	[N]				
oțel automat, forța arcului standard									
M 3	1,5	8	1,5	0,4	3,0	4,5	250	0,2	22030.0003
M 4	2,5	12	2,0	0,8	8,5	14,0	250	0,6	22030.0004
M 5	3,0	14	2,5	0,9	8,0	14,0	250	1,2	22030.0005
M 6	3,5	15	3,0	1,0	11,0	18,0	250	1,7	22030.0006
M 8	4,5	18	4,0	1,5	18,0	31,0	250	3,9	22030.0008
M10	6,0	23	5,0	2,0	24,0	45,0	250	8,0	22030.0010
M12	8,0	26	6,0	2,5	26,0	49,0	250	13,0	22030.0012
M16	10,0	33	8,0	3,5	41,0	86,0	250	32,0	22030.0016
M20	12,0	43	10,0	4,5	56,0	111,0	250	67,0	22030.0020
M24	15,0	48	12,0	5,5	81,0	151,0	250	105,0	22030.0024
oțel automat, forța arcului mărită									
M 3	1,5	8	1,5	0,4	5,0	9,0	250	0,3	22030.0043
M 4	2,5	12	2,0	0,8	12,0	18,0	250	0,6	22030.0044
M 5	3,0	14	2,5	0,9	15,0	22,0	250	1,2	22030.0045

¹⁾ valoarea statistică medie

d ₁	Dimensiuni		SW [mm]	Cursă s [mm]	Forța arcului ¹⁾		max. [°C]	[g]	Ref. Nr.
	d ₂ [mm]	l			F ₁ ~ [N]	F ₂ ~			
M 6	3,5	15	3,0	1,0	19,0	28,0	250	1,7	22030.0046
M 8	4,5	18	4,0	1,5	36,0	62,0	250	4,0	22030.0048
M10	6,0	23	5,0	2,0	57,0	104,0	250	8,2	22030.0050
M12	8,0	26	6,0	2,5	61,0	110,0	250	13,0	22030.0052
M16	10,0	33	8,0	3,5	68,0	142,0	250	32,0	22030.0056
M20	12,0	43	10,0	4,5	84,0	166,0	250	67,0	22030.0060
M24	15,0	48	12,0	5,5	127,0	237,0	250	106,0	22030.0064
oțel inoxidabil, forța arcului standard									
M 3	1,5	8	1,5	0,4	3,0	4,5	250	0,2	22030.0203
M 4	2,5	12	2,0	0,8	8,5	14,0	250	0,6	22030.0204
M 5	3,0	14	2,5	0,9	8,0	14,0	250	1,2	22030.0205
M 6	3,5	15	3,0	1,0	11,0	18,0	250	1,7	22030.0206
M 8	4,5	18	4,0	1,5	18,0	31,0	250	4,0	22030.0208
M10	6,0	23	5,0	2,0	24,0	45,0	250	8,0	22030.0210
M12	8,0	26	6,0	2,5	26,0	49,0	250	12,0	22030.0212
M16	10,0	33	8,0	3,5	41,0	86,0	250	32,0	22030.0216
M20	12,0	43	10,0	4,5	56,0	111,0	250	67,0	22030.0220
M24	15,0	48	12,0	5,5	81,0	151,0	250	106,0	22030.0224
oțel inoxidabil, forța arcului mărită									
M 3	1,5	8	1,5	0,4	5,0	9,0	250	0,3	22030.0243
M 4	2,5	12	2,0	0,8	12,0	18,0	250	0,6	22030.0244
M 5	3,0	14	2,5	0,9	15,0	22,0	250	1,2	22030.0245
M 6	3,5	15	3,0	1,0	19,0	28,0	250	1,8	22030.0246
M 8	4,5	18	4,0	1,5	36,0	62,0	250	4,0	22030.0248
M10	6,0	23	5,0	2,0	57,0	104,0	250	8,2	22030.0250
M12	8,0	26	6,0	2,5	61,0	110,0	250	13,0	22030.0252
M16	10,0	33	8,0	3,5	68,0	142,0	250	32,0	22030.0256
M20	12,0	43	10,0	4,5	84,0	166,0	250	67,0	22030.0260
M24	15,0	48	12,0	5,5	127,0	237,0	250	106,0	22030.0264

¹⁾ valoarea statistică medie

Exemplu de aplicație



Reclamație

Pentru detalii suplimentare despre conformitate, vă rugăm să selectați codul produsului dorit.