

Mandrină de fixare • cilindric

23340.0516



Descrierea produsului

The centering clamping mandrels, cylindrical are ideal for use in fixture construction. They enable workpieces to be clamped with a hole on their inside diameter and therefore without interfering clamping edges. The centering clamping mandrels can be mounted on grid and fixture plates, for example, by pressing them into bores or screwing them into threads.

They enable exact positioning, offer precise repeat accuracy and achieve high holding forces when clamping parts with holes. The centering clamping mandrels offer the possibility of fixing complex workpieces without external clamping elements to enable these components to be machined on 5 sides.

The centering clamping mandrels, cylindrical have the following characteristics:

- Clamping stroke max. 0.7 mm
- Two versions - for press-in or screw-in
- Made of stainless steel or free-cutting steel
- Clamping body can be machined very easily (for adaptation to bore diameter)

Material

Corp

- Oțel de tăiere

Șurub de prindere

- Oțel

Asamblare

The centering clamping mandrel can be adjusted to the respective diameter by turning or milling.

Picture 1 - Mounting in bore hole or socket.

Thread for clamping screw required.

Picture 2 – Mounting in thread.

Clamping screw for the mounting.

Remove from body.

Srew-in centering clamping elements and tighten using the wrench size (WS₂).

Operații

It is operated using the conical clamping screw (WS₁). This expands the body by up to 0.7 mm.

Desen

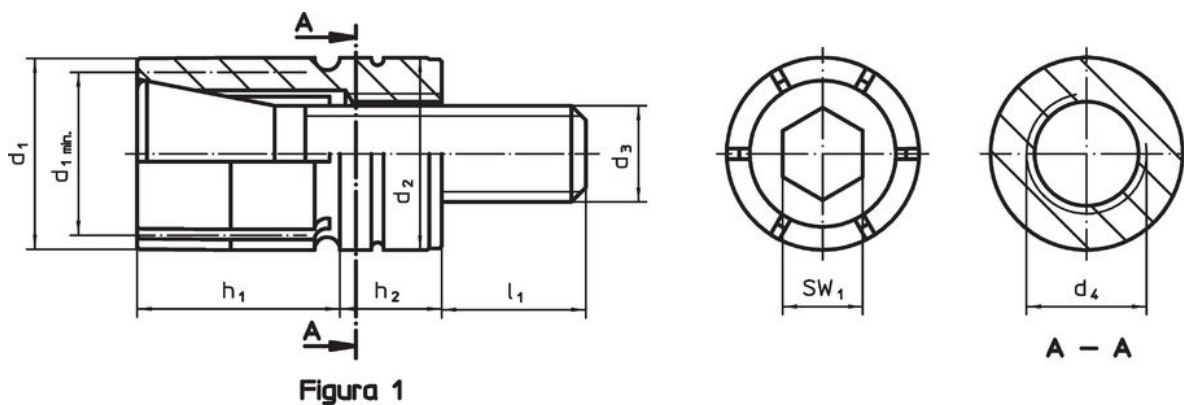


Figura 1

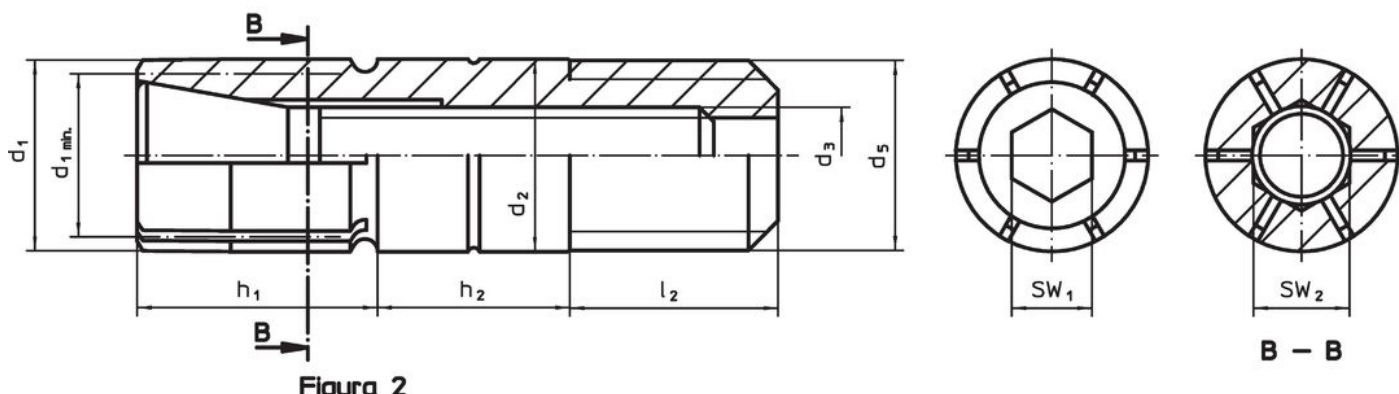
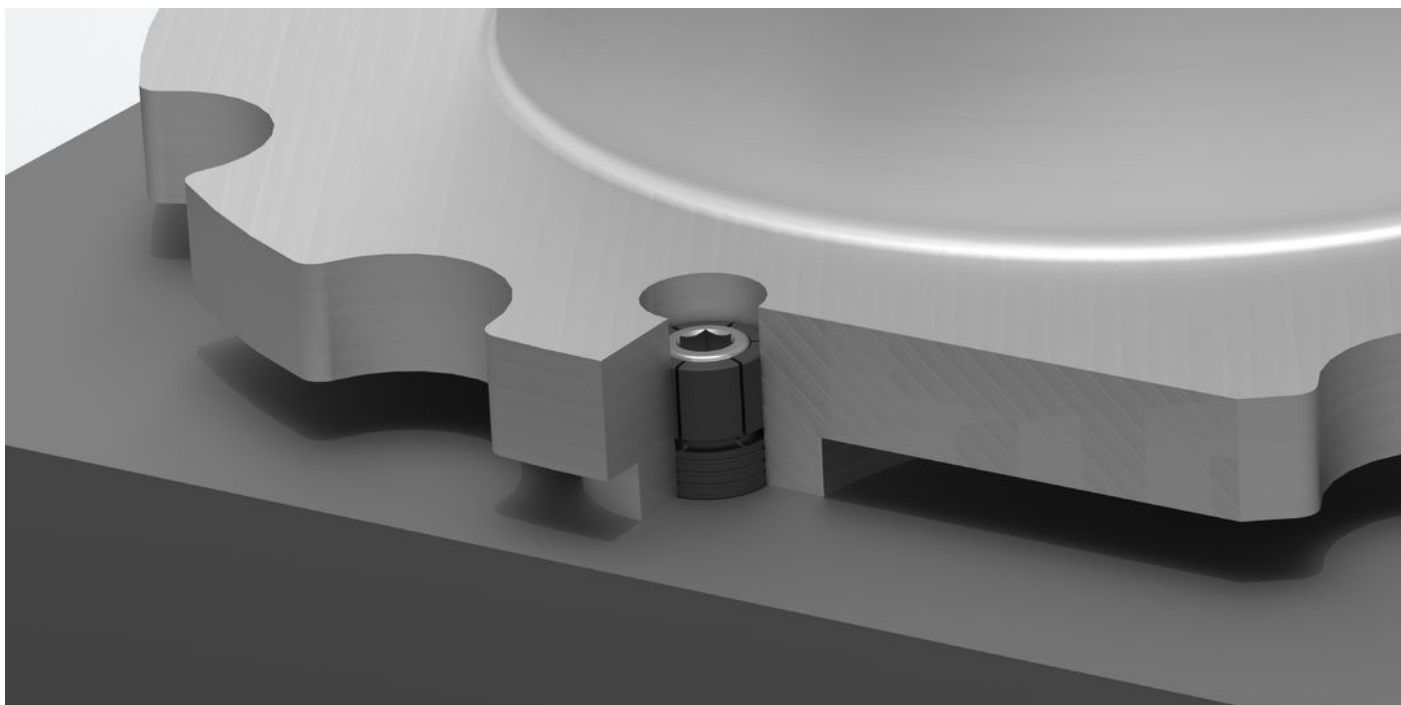


Figura 2

Informații comandă

Dimensiuni									SW	Număr segmente	Forța de strângere max. [kN]	Moment strângere max. [Nm]	Poziție orificiu H7 [mm]	[g]	Ref. Nr.
d ₁	d ₁ min.	d ₂ -0,025	d ₃	d ₄	h ₁	h ₂	l ₁	[mm]							
press-fit – figura 1, Oțel de tăiere															
16	12	16	M8	M10	12,7	6,35	13	6	6	11,1	34	16	29	23340.0516	

Exemplu de aplicație



Reclamație

Conform RoHS

Sunt conforme Directivei 2011/65/UE și Directivei 2015/863.

Nu conțin materiale SVHC

Nu conține substanțe SVHC cu mai mult de 0,1% w/w - lista SVHC din 27.06.2024.

Nu conține substanțe din Declarația 65

Nu conține substanțe din Declarația 65.

<https://www.P65Warnings.ca.gov/>

Nu conține Minerale de conflict

Acest produs nu conține substanțe desemnate drept „minerale de conflict” precum tantalul, staniul, aurul sau wolfram din Republica Democratică Congo sau din țările adiacente.