

Śruby wysokie radełkowane • DIN 464 EH 24790.



Opis produktu

Śruby radełkowane wykonane są z jednego elementu. Wbrew normom są zasadniczo produkowane z gwintem od łba i bez wcięcia na końcu gwinta.

Material

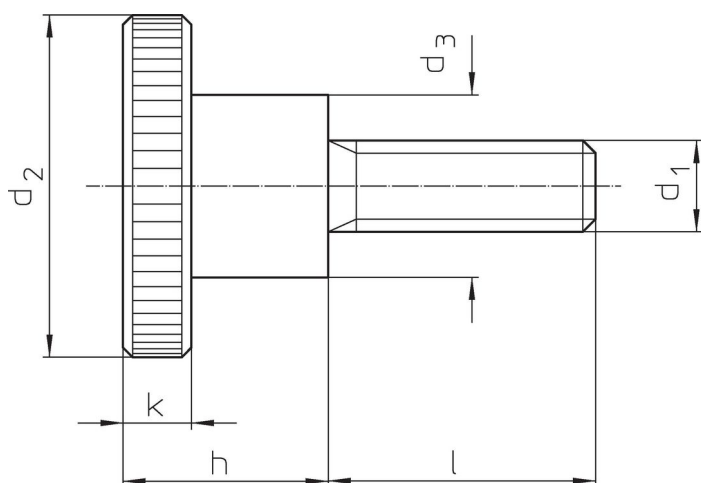
- Stal oksydowana, jakość 5.8
- Steel, zinc-plated by galvanization, quality 5.8
- Stal nierdzewna 1.4305, piaskowana

Więcej informacji

Uwagi


Skok i głębokość radełkowania mogą różnić się od DIN.

Rysunek



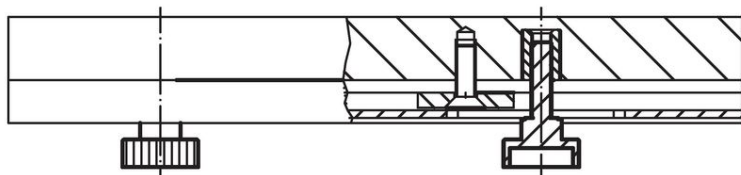
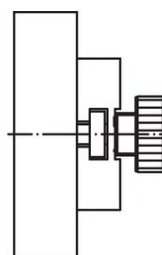
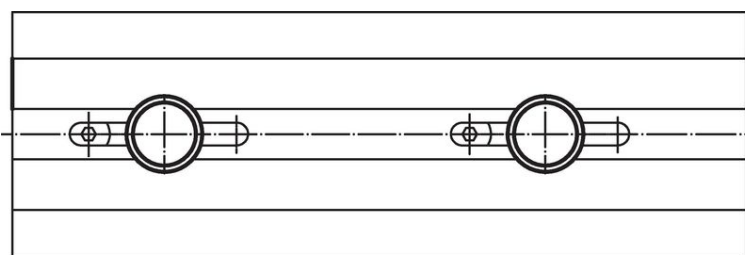
Informacje do zamówienia

d ₁	l	d ₂	Wymiary		h	k	[g]	Nr art.
			d ₃	[mm]				
Stal oksydowana, jakość 5.8								
M 3	6	12	6		7,5	2,5	3,7	24790.0074
M 3	10	12	6		7,5	2,5	3,8	24790.0076
M 3	12	12	6		7,5	2,5	4,0	24790.0077
M 3	16	12	6		7,5	2,5	4,0	24790.0079
M 3	20	12	6		7,5	2,5	4,5	24790.0081
M 4	5	16	8		9,5	3,5	7,7	24790.0092
M 4	8	16	8		9,5	3,5	8,0	24790.0094
M 4	10	16	8		9,5	3,5	8,1	24790.0095
M 4	12	16	8		9,5	3,5	8,6	24790.0096
M 4	16	16	8		9,5	3,5	8,4	24790.0098
M 4	20	16	8		9,5	3,5	9,1	24790.0100
M 4	25	16	8		9,5	3,5	9,0	24790.0102
M 5	6	20	10		11,5	4,0	14,0	24790.0112
M 5	8	20	10		11,5	4,0	15,0	24790.0113
M 5	10	20	10		11,5	4,0	15,0	24790.0114
M 5	12	20	10		11,5	4,0	15,0	24790.0115
M 5	16	20	10		11,5	4,0	16,0	24790.0117
M 5	20	20	10		11,5	4,0	16,0	24790.0119
M 5	25	20	10		11,5	4,0	17,0	24790.0121
M 5	30	20	10		11,5	4,0	17,0	24790.0123
M 6	8	24	12		15,0	5,0	28,0	24790.0132
M 6	10	24	12		15,0	5,0	27,0	24790.0133

d ₁	l	Wymiary			h	k	 [g]	Nr art.
		d ₂	d ₃	[mm]				
M 6	12	24	12	15,0	5,0	28,0	24790.0134	
M 6	16	24	12	15,0	5,0	28,0	24790.0136	
M 6	20	24	12	15,0	5,0	29,0	24790.0138	
M 6	25	24	12	15,0	5,0	30,0	24790.0140	
M 6	30	24	12	15,0	5,0	31,0	24790.0142	
M 6	35	24	12	15,0	5,0	31,0	24790.0144	
M 8	12	30	16	18,0	6,0	53,0	24790.0152	
M 8	16	30	16	18,0	6,0	55,0	24790.0154	
M 8	20	30	16	18,0	6,0	56,0	24790.0156	
M 8	25	30	16	18,0	6,0	58,0	24790.0158	
M 8	30	30	16	18,0	6,0	60,0	24790.0160	
M 8	35	30	16	18,0	6,0	62,0	24790.0162	
M 8	40	30	16	18,0	6,0	61,0	24790.0164	
M10	15	36	20	23,0	8,0	104,0	24790.0171	
M10	20	36	20	23,0	8,0	106,0	24790.0173	
M10	25	36	20	23,0	8,0	109,0	24790.0175	
M10	30	36	20	23,0	8,0	112,0	24790.0177	
M10	35	36	20	23,0	8,0	116,0	24790.0179	
M10	40	36	20	23,0	8,0	116,0	24790.0181	
Stal cynkowana galwanicznie								
M 3	6	12	6	7,5	2,5	4,0	24790.0474	
M 3	8	12	6	7,5	2,5	4,0	24790.0475	
M 3	10	12	6	7,5	2,5	4,0	24790.0476	
M 3	12	12	6	7,5	2,5	4,0	24790.0477	
M 3	16	12	6	7,5	2,5	5,0	24790.0479	
M 3	20	12	6	7,5	2,5	5,0	24790.0481	
M 4	5	16	8	9,5	3,5	9,0	24790.0492	
M 4	8	16	8	9,5	3,5	8,0	24790.0494	
M 4	10	16	8	9,5	3,5	8,0	24790.0495	
M 4	12	16	8	9,5	3,5	8,0	24790.0496	
M 4	16	16	8	9,5	3,5	8,0	24790.0498	
M 4	20	16	8	9,5	3,5	9,0	24790.0500	
M 4	25	16	8	9,5	3,5	9,0	24790.0502	
M 5	6	20	10	11,5	4,0	15,0	24790.0512	
M 5	8	20	10	11,5	4,0	15,0	24790.0513	
M 5	10	20	10	11,5	4,0	15,0	24790.0514	
M 5	12	20	10	11,5	4,0	14,0	24790.0515	
M 5	16	20	10	11,5	4,0	15,0	24790.0517	
M 5	20	20	10	11,5	4,0	16,0	24790.0519	
M 5	25	20	10	11,5	4,0	16,0	24790.0521	
M 5	30	20	10	11,5	4,0	17,0	24790.0523	
M 6	8	24	12	15,0	5,0	27,0	24790.0532	
M 6	10	24	12	15,0	5,0	27,0	24790.0533	
M 6	12	24	12	15,0	5,0	27,0	24790.0534	
M 6	16	24	12	15,0	5,0	28,0	24790.0536	
M 6	20	24	12	15,0	5,0	29,0	24790.0538	
M 6	25	24	12	15,0	5,0	28,0	24790.0540	
M 6	30	24	12	15,0	5,0	30,0	24790.0542	
M 6	35	24	12	15,0	5,0	31,0	24790.0544	
M 8	12	30	16	18,0	6,0	55,0	24790.0552	
M 8	16	30	16	18,0	6,0	55,0	24790.0554	
M 8	20	30	16	18,0	6,0	56,0	24790.0556	
M 8	25	30	16	18,0	6,0	58,0	24790.0558	
M 8	30	30	16	18,0	6,0	50,0	24790.0560	
M 8	35	30	16	18,0	6,0	63,0	24790.0562	
M 8	40	30	16	18,0	6,0	62,0	24790.0564	
M10	12	36	20	23,0	8,0	105,0	24790.0570	
M10	15	36	20	23,0	8,0	106,0	24790.0571	
M10	20	36	20	23,0	8,0	107,0	24790.0573	

d ₁	l	Wymiary				h	k	[g]	Nr art.
		d ₂	d ₃	[mm]					
M10	25	36	20			23,0	8,0	110,0	24790.0575
M10	30	36	20			23,0	8,0	112,0	24790.0577
M10	35	36	20			23,0	8,0	115,0	24790.0579
M10	40	36	20			23,0	8,0	116,0	24790.0581
Stal nierdzewna 1.4305									
M 3	6	12	6			7,5	2,5	3,7	24790.0274
M 3	10	12	6			7,5	2,5	3,8	24790.0276
M 3	12	12	6			7,5	2,5	4,0	24790.0277
M 3	16	12	6			7,5	2,5	4,0	24790.0279
M 4	8	16	8			9,5	3,5	8,0	24790.0294
M 4	10	16	8			9,5	3,5	8,1	24790.0295
M 4	12	16	8			9,5	3,5	8,6	24790.0296
M 4	16	16	8			9,5	3,5	8,4	24790.0298
M 4	20	16	8			9,5	3,5	9,1	24790.0300
M 4	25	16	8			9,5	3,5	9,0	24790.0302
M 5	10	20	10			11,5	4,0	15,0	24790.0314
M 5	12	20	10			11,5	4,0	15,0	24790.0315
M 5	16	20	10			11,5	4,0	16,0	24790.0317
M 5	20	20	10			11,5	4,0	16,0	24790.0319
M 5	25	20	10			11,5	4,0	17,0	24790.0321
M 5	30	20	10			11,5	4,0	17,0	24790.0323
M 6	12	24	12			15,0	5,0	28,0	24790.0334
M 6	16	24	12			15,0	5,0	28,0	24790.0336
M 6	20	24	12			15,0	5,0	29,0	24790.0338
M 6	25	24	12			15,0	5,0	30,0	24790.0340
M 6	30	24	12			15,0	5,0	31,0	24790.0342
M 6	35	24	12			15,0	5,0	31,0	24790.0344
M 8	16	30	16			18,0	6,0	55,0	24790.0354
M 8	20	30	16			18,0	6,0	56,0	24790.0356
M 8	25	30	16			18,0	6,0	58,0	24790.0358
M 8	30	30	16			18,0	6,0	60,0	24790.0360
M 8	35	30	16			18,0	6,0	62,0	24790.0362

Przykład aplikacji



Zgodność

Dla szczegółowych informacji dot. zgodności należy wybrać pożądany numer towaru.