

## Śruby gwiazdowe • tworzywo sztuczne

EH 24750.



### Opis produktu

#### Materiał

##### Pokrywa

- Tworzywo sztuczne (PA), czarny zgodny z RAL 9005
- Tworzywo sztuczne (PA), biały zgodny z RAL 9019
- Tworzywo sztuczne (PA), pomarańczowy zgodny z RAL 2004
- Tworzywo sztuczne (PA), żółty zgodny z RAL 1016
- Tworzywo sztuczne (PA), niebieski zgodny z RAL 5015

##### Uchwyt

- Tworzywo sztuczne (PA 6), czarny zgodny z RAL 9005

##### Śruba

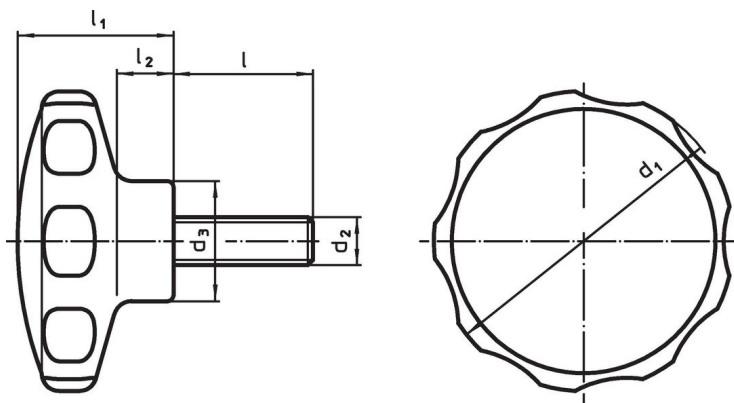
- Stal nierdzewna

### Więcej informacji

#### Uwagi

Wersja specjalna, np. inny gwint lub inne długości gwintu - na żądanie.

### Rysunek

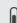





### Informacje do zamówienia

Wymiary							min.  maks.		[g]	Nr art.
d <sub>1</sub>	d <sub>2</sub>	l	d <sub>3</sub>	l <sub>1</sub>	l <sub>2</sub>	[mm]	[°C]			
czarny										
30	M 4	10	14,0	19	7		-30	80	6,1	<a href="#">24750.0100</a>
30	M 4	14	14,0	19	7		-30	80	6,6	<a href="#">24750.0110</a>
30	M 4	18	14,0	19	7		-30	80	6,9	<a href="#">24750.0120</a>
30	M 4	23	14,0	19	7		-30	80	7,3	<a href="#">24750.0130</a>
30	M 4	28	14,0	19	7		-30	80	7,7	<a href="#">24750.0140</a>
30	M 5	10	14,0	19	7		-30	80	7,5	<a href="#">24750.0150</a>
30	M 5	14	14,0	19	7		-30	80	7,9	<a href="#">24750.0160</a>
30	M 5	18	14,0	19	7		-30	80	8,4	<a href="#">24750.0170</a>
30	M 5	23	14,0	19	7		-30	80	9,0	<a href="#">24750.0180</a>
30	M 5	28	14,0	19	7		-30	80	9,0	<a href="#">24750.0190</a>
40	M 5	10	16,5	22	9		-30	80	9,6	<a href="#">24750.0200</a>
40	M 5	14	16,5	22	9		-30	80	10,0	<a href="#">24750.0210</a>
40	M 5	18	16,5	22	9		-30	80	11,0	<a href="#">24750.0220</a>
40	M 5	23	16,5	22	9		-30	80	12,0	<a href="#">24750.0230</a>
40	M 5	28	16,5	22	9		-30	80	12,0	<a href="#">24750.0240</a>
40	M 6	14	16,5	22	9		-30	80	12,0	<a href="#">24750.0250</a>
40	M 6	18	16,5	22	9		-30	80	13,0	<a href="#">24750.0260</a>
40	M 6	23	16,5	22	9		-30	80	14,0	<a href="#">24750.0270</a>

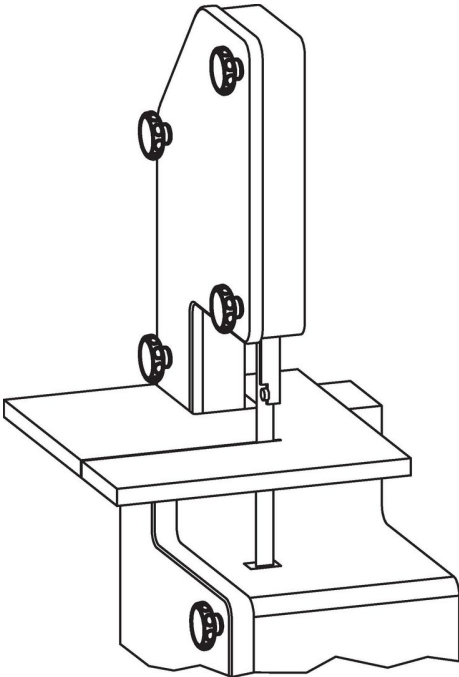
Wymiary						min.	maks.	[g]	Nr art.
d <sub>1</sub>	d <sub>2</sub>	l	d <sub>3</sub>	l <sub>1</sub>	l <sub>2</sub>				
40	M 6	28	16,5	22	9	-30	80	15,0	24750.0280
40	M 6	38	16,5	22	9	-30	80	16,0	24750.0290
50	M 6	14	22,0	26	10	-30	80	19,0	24750.0300
50	M 6	18	22,0	26	10	-30	80	19,0	24750.0310
50	M 6	23	22,0	26	10	-30	80	20,0	24750.0320
50	M 6	28	22,0	26	10	-30	80	21,0	24750.0330
50	M 6	38	22,0	26	10	-30	80	23,0	24750.0340
50	M 8	18	22,0	26	10	-30	80	26,0	24750.0350
50	M 8	23	22,0	26	10	-30	80	27,0	24750.0360
50	M 8	28	22,0	26	10	-30	80	29,0	24750.0370
50	M 8	38	22,0	26	10	-30	80	32,0	24750.0380
50	M 8	48	22,0	26	10	-30	80	35,0	24750.0390
62	M 8	18	22,0	35	13	-30	80	40,0	24750.0400
62	M 8	23	22,0	35	13	-30	80	41,0	24750.0410
62	M 8	28	22,0	35	13	-30	80	43,0	24750.0420
62	M 8	38	22,0	35	13	-30	80	46,0	24750.0430
62	M 8	48	22,0	35	13	-30	80	49,0	24750.0440
62	M10	23	22,0	35	13	-30	80	51,0	24750.0450
62	M10	28	22,0	35	13	-30	80	54,0	24750.0460
62	M10	38	22,0	35	13	-30	80	59,0	24750.0470
62	M10	48	22,0	35	13	-30	80	64,0	24750.0480
62	M10	58	22,0	35	13	-30	80	69,0	24750.0490
<b>biały</b>									
30	M 4	10	14,0	19	7	-30	80	6,1	24750.0101
30	M 4	14	14,0	19	7	-30	80	6,6	24750.0111
30	M 4	18	14,0	19	7	-30	80	6,9	24750.0121
30	M 4	23	14,0	19	7	-30	80	7,3	24750.0131
30	M 4	28	14,0	19	7	-30	80	7,7	24750.0141
30	M 5	10	14,0	19	7	-30	80	7,5	24750.0151
30	M 5	14	14,0	19	7	-30	80	7,9	24750.0161
30	M 5	18	14,0	19	7	-30	80	8,4	24750.0171
30	M 5	23	14,0	19	7	-30	80	9,0	24750.0181
30	M 5	28	14,0	19	7	-30	80	9,0	24750.0191
40	M 5	10	16,5	22	9	-30	80	9,6	24750.0201
40	M 5	14	16,5	22	9	-30	80	10,0	24750.0211
40	M 5	18	16,5	22	9	-30	80	11,0	24750.0221
40	M 5	23	16,5	22	9	-30	80	12,0	24750.0231
40	M 5	28	16,5	22	9	-30	80	12,0	24750.0241
40	M 6	14	16,5	22	9	-30	80	12,0	24750.0251
40	M 6	18	16,5	22	9	-30	80	13,0	24750.0261
40	M 6	23	16,5	22	9	-30	80	14,0	24750.0271
40	M 6	28	16,5	22	9	-30	80	15,0	24750.0281
40	M 6	38	16,5	22	9	-30	80	16,0	24750.0291
50	M 6	14	22,0	26	10	-30	80	19,0	24750.0301
50	M 6	18	22,0	26	10	-30	80	19,0	24750.0311
50	M 6	23	22,0	26	10	-30	80	20,0	24750.0321
50	M 6	28	22,0	26	10	-30	80	21,0	24750.0331
50	M 6	38	22,0	26	10	-30	80	23,0	24750.0341
50	M 8	18	22,0	26	10	-30	80	26,0	24750.0351
50	M 8	23	22,0	26	10	-30	80	27,0	24750.0361
50	M 8	28	22,0	26	10	-30	80	29,0	24750.0371
50	M 8	38	22,0	26	10	-30	80	32,0	24750.0381
50	M 8	48	22,0	26	10	-30	80	35,0	24750.0391
62	M 8	18	22,0	35	13	-30	80	40,0	24750.0401
62	M 8	23	22,0	35	13	-30	80	41,0	24750.0411
62	M 8	28	22,0	35	13	-30	80	43,0	24750.0421
62	M 8	38	22,0	35	13	-30	80	46,0	24750.0431
62	M 8	48	22,0	35	13	-30	80	49,0	24750.0441
62	M10	23	22,0	35	13	-30	80	51,0	24750.0451

Wymiary						min.	maks.	[g]	Nr art.
d <sub>1</sub>	d <sub>2</sub>	l	d <sub>3</sub>	l <sub>1</sub>	l <sub>2</sub>				
[mm]									
62	M10	28	22,0	35	13	-30	80	54,0	24750.0461
62	M10	38	22,0	35	13	-30	80	59,0	24750.0471
62	M10	48	22,0	35	13	-30	80	64,0	24750.0481
62	M10	58	22,0	35	13	-30	80	69,0	24750.0491
<b>pomarańczowy</b>									
30	M 4	10	14,0	19	7	-30	80	6,1	24750.0102
30	M 4	14	14,0	19	7	-30	80	6,6	24750.0112
30	M 4	18	14,0	19	7	-30	80	6,9	24750.0122
30	M 4	23	14,0	19	7	-30	80	7,3	24750.0132
30	M 4	28	14,0	19	7	-30	80	7,7	24750.0142
30	M 5	10	14,0	19	7	-30	80	7,5	24750.0152
30	M 5	14	14,0	19	7	-30	80	7,9	24750.0162
30	M 5	18	14,0	19	7	-30	80	8,4	24750.0172
30	M 5	23	14,0	19	7	-30	80	9,0	24750.0182
30	M 5	28	14,0	19	7	-30	80	9,0	24750.0192
40	M 5	10	16,5	22	9	-30	80	9,6	24750.0202
40	M 5	14	16,5	22	9	-30	80	10,0	24750.0212
40	M 5	18	16,5	22	9	-30	80	11,0	24750.0222
40	M 5	23	16,5	22	9	-30	80	12,0	24750.0232
40	M 5	28	16,5	22	9	-30	80	12,0	24750.0242
40	M 6	14	16,5	22	9	-30	80	12,0	24750.0252
40	M 6	18	16,5	22	9	-30	80	13,0	24750.0262
40	M 6	23	16,5	22	9	-30	80	14,0	24750.0272
40	M 6	28	16,5	22	9	-30	80	15,0	24750.0282
40	M 6	38	16,5	22	9	-30	80	16,0	24750.0292
50	M 6	14	22,0	26	10	-30	80	19,0	24750.0302
50	M 6	18	22,0	26	10	-30	80	19,0	24750.0312
50	M 6	23	22,0	26	10	-30	80	20,0	24750.0322
50	M 6	28	22,0	26	10	-30	80	21,0	24750.0332
50	M 6	38	22,0	26	10	-30	80	23,0	24750.0342
50	M 8	18	22,0	26	10	-30	80	26,0	24750.0352
50	M 8	23	22,0	26	10	-30	80	27,0	24750.0362
50	M 8	28	22,0	26	10	-30	80	29,0	24750.0372
50	M 8	38	22,0	26	10	-30	80	32,0	24750.0382
50	M 8	48	22,0	26	10	-30	80	35,0	24750.0392
62	M 8	18	22,0	35	13	-30	80	40,0	24750.0402
62	M 8	23	22,0	35	13	-30	80	41,0	24750.0412
62	M 8	28	22,0	35	13	-30	80	43,0	24750.0422
62	M 8	38	22,0	35	13	-30	80	46,0	24750.0432
62	M 8	48	22,0	35	13	-30	80	49,0	24750.0442
62	M10	23	22,0	35	13	-30	80	51,0	24750.0452
62	M10	28	22,0	35	13	-30	80	54,0	24750.0462
62	M10	38	22,0	35	13	-30	80	59,0	24750.0472
62	M10	48	22,0	35	13	-30	80	64,0	24750.0482
62	M10	58	22,0	35	13	-30	80	69,0	24750.0492
<b>żółty</b>									
30	M 4	10	14,0	19	7	-30	80	6,1	24750.0103
30	M 4	14	14,0	19	7	-30	80	6,6	24750.0113
30	M 4	18	14,0	19	7	-30	80	6,9	24750.0123
30	M 4	23	14,0	19	7	-30	80	7,3	24750.0133
30	M 4	28	14,0	19	7	-30	80	7,7	24750.0143
30	M 5	10	14,0	19	7	-30	80	7,5	24750.0153
30	M 5	14	14,0	19	7	-30	80	7,9	24750.0163
30	M 5	18	14,0	19	7	-30	80	8,4	24750.0173
30	M 5	23	14,0	19	7	-30	80	9,0	24750.0183
30	M 5	28	14,0	19	7	-30	80	9,0	24750.0193
40	M 5	10	16,5	22	9	-30	80	9,6	24750.0203
40	M 5	14	16,5	22	9	-30	80	10,0	24750.0213
40	M 5	18	16,5	22	9	-30	80	11,0	24750.0223
40	M 5	23	16,5	22	9	-30	80	12,0	24750.0233
40	M 5	28	16,5	22	9	-30	80	12,0	24750.0243
40	M 6	14	16,5	22	9	-30	80	12,0	24750.0253

Wymiary						 min. maks. [°C]		 [g]	Nr art.
d <sub>1</sub>	d <sub>2</sub>	l	d <sub>3</sub>	l <sub>1</sub>	l <sub>2</sub>				
[mm]									
40	M 6	18	16,5	22	9	-30	80	13,0	<a href="#">24750.0263</a>
40	M 6	23	16,5	22	9	-30	80	14,0	<a href="#">24750.0273</a>
40	M 6	28	16,5	22	9	-30	80	15,0	<a href="#">24750.0283</a>
40	M 6	38	16,5	22	9	-30	80	16,0	<a href="#">24750.0293</a>
50	M 6	14	22,0	26	10	-30	80	19,0	<a href="#">24750.0303</a>
50	M 6	18	22,0	26	10	-30	80	19,0	<a href="#">24750.0313</a>
50	M 6	23	22,0	26	10	-30	80	20,0	<a href="#">24750.0323</a>
50	M 6	28	22,0	26	10	-30	80	21,0	<a href="#">24750.0333</a>
50	M 6	38	22,0	26	10	-30	80	23,0	<a href="#">24750.0343</a>
50	M 8	18	22,0	26	10	-30	80	26,0	<a href="#">24750.0353</a>
50	M 8	23	22,0	26	10	-30	80	27,0	<a href="#">24750.0363</a>
50	M 8	28	22,0	26	10	-30	80	29,0	<a href="#">24750.0373</a>
50	M 8	38	22,0	26	10	-30	80	32,0	<a href="#">24750.0383</a>
50	M 8	48	22,0	26	10	-30	80	35,0	<a href="#">24750.0393</a>
62	M 8	18	22,0	35	13	-30	80	40,0	<a href="#">24750.0403</a>
62	M 8	23	22,0	35	13	-30	80	41,0	<a href="#">24750.0413</a>
62	M 8	28	22,0	35	13	-30	80	43,0	<a href="#">24750.0423</a>
62	M 8	38	22,0	35	13	-30	80	46,0	<a href="#">24750.0433</a>
62	M 8	48	22,0	35	13	-30	80	49,0	<a href="#">24750.0443</a>
62	M10	23	22,0	35	13	-30	80	51,0	<a href="#">24750.0453</a>
62	M10	28	22,0	35	13	-30	80	54,0	<a href="#">24750.0463</a>
62	M10	38	22,0	35	13	-30	80	59,0	<a href="#">24750.0473</a>
62	M10	48	22,0	35	13	-30	80	64,0	<a href="#">24750.0483</a>
62	M10	58	22,0	35	13	-30	80	69,0	<a href="#">24750.0493</a>
<b>niebieski</b>									
30	M 4	10	14,0	19	7	-30	80	6,1	<a href="#">24750.0104</a>
30	M 4	14	14,0	19	7	-30	80	6,6	<a href="#">24750.0114</a>
30	M 4	18	14,0	19	7	-30	80	6,9	<a href="#">24750.0124</a>
30	M 4	23	14,0	19	7	-30	80	7,3	<a href="#">24750.0134</a>
30	M 4	28	14,0	19	7	-30	80	7,7	<a href="#">24750.0144</a>
30	M 5	10	14,0	19	7	-30	80	7,5	<a href="#">24750.0154</a>
30	M 5	14	14,0	19	7	-30	80	7,9	<a href="#">24750.0164</a>
30	M 5	18	14,0	19	7	-30	80	8,4	<a href="#">24750.0174</a>
30	M 5	23	14,0	19	7	-30	80	9,0	<a href="#">24750.0184</a>
30	M 5	28	14,0	19	7	-30	80	9,0	<a href="#">24750.0194</a>
40	M 5	10	16,5	22	9	-30	80	9,6	<a href="#">24750.0204</a>
40	M 5	14	16,5	22	9	-30	80	10,0	<a href="#">24750.0214</a>
40	M 5	18	16,5	22	9	-30	80	11,0	<a href="#">24750.0224</a>
40	M 5	23	16,5	22	9	-30	80	12,0	<a href="#">24750.0234</a>
40	M 5	28	16,5	22	9	-30	80	12,0	<a href="#">24750.0244</a>
40	M 6	14	16,5	22	9	-30	80	12,0	<a href="#">24750.0254</a>
40	M 6	18	16,5	22	9	-30	80	13,0	<a href="#">24750.0264</a>
40	M 6	23	16,5	22	9	-30	80	14,0	<a href="#">24750.0274</a>
40	M 6	28	16,5	22	9	-30	80	15,0	<a href="#">24750.0284</a>
40	M 6	38	16,5	22	9	-30	80	16,0	<a href="#">24750.0294</a>
50	M 6	14	22,0	26	10	-30	80	19,0	<a href="#">24750.0304</a>
50	M 6	18	22,0	26	10	-30	80	19,0	<a href="#">24750.0314</a>
50	M 6	23	22,0	26	10	-30	80	20,0	<a href="#">24750.0324</a>
50	M 6	28	22,0	26	10	-30	80	21,0	<a href="#">24750.0334</a>
50	M 6	38	22,0	26	10	-30	80	23,0	<a href="#">24750.0344</a>
50	M 8	18	22,0	26	10	-30	80	26,0	<a href="#">24750.0354</a>
50	M 8	23	22,0	26	10	-30	80	27,0	<a href="#">24750.0364</a>
50	M 8	28	22,0	26	10	-30	80	29,0	<a href="#">24750.0374</a>
50	M 8	38	22,0	26	10	-30	80	32,0	<a href="#">24750.0384</a>
50	M 8	48	22,0	26	10	-30	80	35,0	<a href="#">24750.0394</a>
62	M 8	18	22,0	35	13	-30	80	40,0	<a href="#">24750.0404</a>
62	M 8	23	22,0	35	13	-30	80	41,0	<a href="#">24750.0414</a>
62	M 8	28	22,0	35	13	-30	80	43,0	<a href="#">24750.0424</a>
62	M 8	38	22,0	35	13	-30	80	46,0	<a href="#">24750.0434</a>
62	M 8	48	22,0	35	13	-30	80	49,0	<a href="#">24750.0444</a>
62	M10	23	22,0	35	13	-30	80	51,0	<a href="#">24750.0454</a>

d <sub>1</sub>	d <sub>2</sub>	Wymiary				min.  maks.		 [g]	Nr art.
		l	d <sub>3</sub>	l <sub>1</sub>	l <sub>2</sub>	[°C]			
62	M10	28	22,0	35	13	-30	80	54,0	<a href="#">24750.0464</a>
62	M10	38	22,0	35	13	-30	80	59,0	<a href="#">24750.0474</a>
62	M10	48	22,0	35	13	-30	80	64,0	<a href="#">24750.0484</a>
62	M10	58	22,0	35	13	-30	80	69,0	<a href="#">24750.0494</a>

### Przykład aplikacji



### Zgodność

#### Zgodny z RoHS

Zgodny zgodnie z Dyrektywą 2011/65/UE i Dyrektywą 2015/863

#### Nie zawiera substancji SVHC

Brak substancji SVHC o zawartości powyżej 0,1% mas. – lista SVHC z 27.06.2024.

#### Nie zawiera substancji Propozycji 65

Nie zawiera substancji z rozporządzenia Proposition 65.

<https://www.P65Warnings.ca.gov/>

#### Wolny od minerałów konfliktu

Ten produkt nie zawiera żadnych substancji oznaczonych jako „minerały konfliktu”, takich jak tantal, cyna, złoto lub wolfram z Demokratycznej Republiki Konga lub krajów sąsiednich.