

Hoge kartelschroeven • DIN 464 EH 24790.



Productbeschrijving

Kartelschroeven zijn uit één stuk gemaakt. In tegenstelling tot de norm zijn zij altijd met schroefdraad tot onder de kop en zonder insteek aan het draadeind geproduceerd.

Materiaal

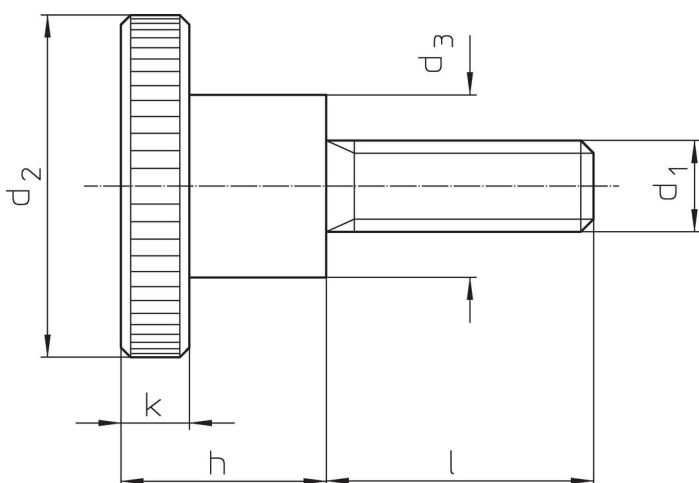
- staal, gezwart, kwaliteit 5.8
- Steel, zinc-plated by galvanization, quality 5.8
- RVS 1.4305, mat gestraald

Meer informatie

Opmerkingen


Kartelsteek en karteldiepte kunnen afwijken van DIN.


Tekening



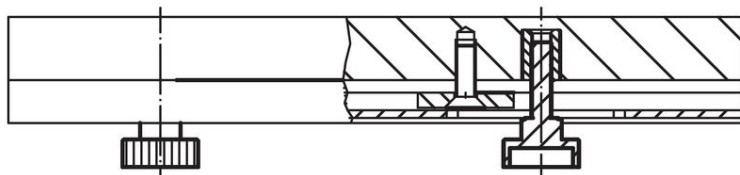
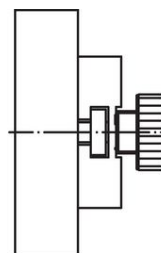
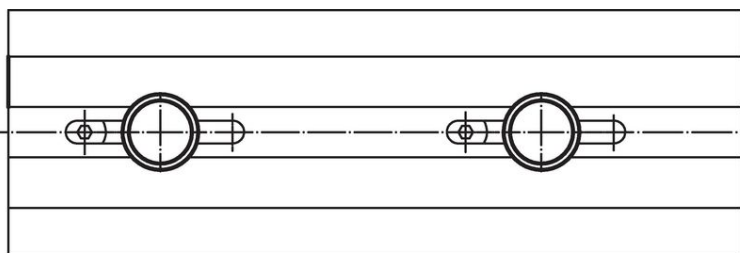
Bestelinformatie

d ₁	l	Afmetingen				h	k	[g]	Artikelnr.
		d ₂	d ₃		[mm]				
staal, gezwart, kwaliteit 5.8									
M 3	6	12	6	6	7,5	2,5	3,7	24790.0074	
M 3	10	12	6	6	7,5	2,5	3,8	24790.0076	
M 3	12	12	6	6	7,5	2,5	4,0	24790.0077	
M 3	16	12	6	6	7,5	2,5	4,0	24790.0079	
M 3	20	12	6	6	7,5	2,5	4,5	24790.0081	
M 4	5	16	8	8	9,5	3,5	7,7	24790.0092	
M 4	8	16	8	8	9,5	3,5	8,0	24790.0094	
M 4	10	16	8	8	9,5	3,5	8,1	24790.0095	
M 4	12	16	8	8	9,5	3,5	8,6	24790.0096	
M 4	16	16	8	8	9,5	3,5	8,4	24790.0098	
M 4	20	16	8	8	9,5	3,5	9,1	24790.0100	
M 4	25	16	8	8	9,5	3,5	9,0	24790.0102	
M 5	6	20	10	10	11,5	4,0	14,0	24790.0112	
M 5	8	20	10	10	11,5	4,0	15,0	24790.0113	
M 5	10	20	10	10	11,5	4,0	15,0	24790.0114	
M 5	12	20	10	10	11,5	4,0	15,0	24790.0115	
M 5	16	20	10	10	11,5	4,0	16,0	24790.0117	
M 5	20	20	10	10	11,5	4,0	16,0	24790.0119	
M 5	25	20	10	10	11,5	4,0	17,0	24790.0121	
M 5	30	20	10	10	11,5	4,0	17,0	24790.0123	
M 6	8	24	12	12	15,0	5,0	28,0	24790.0132	
M 6	10	24	12	12	15,0	5,0	27,0	24790.0133	

d ₁	l	Afmetingen			h	k	 [g]	Artikelnr.
		d ₂	d ₃	[mm]				
M 6	12	24	12	15,0	5,0	28,0	24790.0134	
M 6	16	24	12	15,0	5,0	28,0	24790.0136	
M 6	20	24	12	15,0	5,0	29,0	24790.0138	
M 6	25	24	12	15,0	5,0	30,0	24790.0140	
M 6	30	24	12	15,0	5,0	31,0	24790.0142	
M 6	35	24	12	15,0	5,0	31,0	24790.0144	
M 8	12	30	16	18,0	6,0	53,0	24790.0152	
M 8	16	30	16	18,0	6,0	55,0	24790.0154	
M 8	20	30	16	18,0	6,0	56,0	24790.0156	
M 8	25	30	16	18,0	6,0	58,0	24790.0158	
M 8	30	30	16	18,0	6,0	60,0	24790.0160	
M 8	35	30	16	18,0	6,0	62,0	24790.0162	
M 8	40	30	16	18,0	6,0	61,0	24790.0164	
M10	15	36	20	23,0	8,0	104,0	24790.0171	
M10	20	36	20	23,0	8,0	106,0	24790.0173	
M10	25	36	20	23,0	8,0	109,0	24790.0175	
M10	30	36	20	23,0	8,0	112,0	24790.0177	
M10	35	36	20	23,0	8,0	116,0	24790.0179	
M10	40	36	20	23,0	8,0	116,0	24790.0181	
staal, galvanisch verzinkt								
M 3	6	12	6	7,5	2,5	4,0	24790.0474	
M 3	8	12	6	7,5	2,5	4,0	24790.0475	
M 3	10	12	6	7,5	2,5	4,0	24790.0476	
M 3	12	12	6	7,5	2,5	4,0	24790.0477	
M 3	16	12	6	7,5	2,5	5,0	24790.0479	
M 3	20	12	6	7,5	2,5	5,0	24790.0481	
M 4	5	16	8	9,5	3,5	9,0	24790.0492	
M 4	8	16	8	9,5	3,5	8,0	24790.0494	
M 4	10	16	8	9,5	3,5	8,0	24790.0495	
M 4	12	16	8	9,5	3,5	8,0	24790.0496	
M 4	16	16	8	9,5	3,5	8,0	24790.0498	
M 4	20	16	8	9,5	3,5	9,0	24790.0500	
M 4	25	16	8	9,5	3,5	9,0	24790.0502	
M 5	6	20	10	11,5	4,0	15,0	24790.0512	
M 5	8	20	10	11,5	4,0	15,0	24790.0513	
M 5	10	20	10	11,5	4,0	15,0	24790.0514	
M 5	12	20	10	11,5	4,0	14,0	24790.0515	
M 5	16	20	10	11,5	4,0	15,0	24790.0517	
M 5	20	20	10	11,5	4,0	16,0	24790.0519	
M 5	25	20	10	11,5	4,0	16,0	24790.0521	
M 5	30	20	10	11,5	4,0	17,0	24790.0523	
M 6	8	24	12	15,0	5,0	27,0	24790.0532	
M 6	10	24	12	15,0	5,0	27,0	24790.0533	
M 6	12	24	12	15,0	5,0	27,0	24790.0534	
M 6	16	24	12	15,0	5,0	28,0	24790.0536	
M 6	20	24	12	15,0	5,0	29,0	24790.0538	
M 6	25	24	12	15,0	5,0	28,0	24790.0540	
M 6	30	24	12	15,0	5,0	30,0	24790.0542	
M 6	35	24	12	15,0	5,0	31,0	24790.0544	
M 8	12	30	16	18,0	6,0	55,0	24790.0552	
M 8	16	30	16	18,0	6,0	55,0	24790.0554	
M 8	20	30	16	18,0	6,0	56,0	24790.0556	
M 8	25	30	16	18,0	6,0	58,0	24790.0558	
M 8	30	30	16	18,0	6,0	50,0	24790.0560	
M 8	35	30	16	18,0	6,0	63,0	24790.0562	
M 8	40	30	16	18,0	6,0	62,0	24790.0564	
M10	12	36	20	23,0	8,0	105,0	24790.0570	
M10	15	36	20	23,0	8,0	106,0	24790.0571	
M10	20	36	20	23,0	8,0	107,0	24790.0573	

d ₁	l	Afmetingen			h	k	 [g]	ArtikeInr.
		d ₂	d ₃	[mm]				
M10	25	36	20	23,0	8,0	110,0	24790.0575	
M10	30	36	20	23,0	8,0	112,0	24790.0577	
M10	35	36	20	23,0	8,0	115,0	24790.0579	
M10	40	36	20	23,0	8,0	116,0	24790.0581	
RVS 1.4305								
M 3	6	12	6	7,5	2,5	3,7	24790.0274	
M 3	10	12	6	7,5	2,5	3,8	24790.0276	
M 3	12	12	6	7,5	2,5	4,0	24790.0277	
M 3	16	12	6	7,5	2,5	4,0	24790.0279	
M 4	8	16	8	9,5	3,5	8,0	24790.0294	
M 4	10	16	8	9,5	3,5	8,1	24790.0295	
M 4	12	16	8	9,5	3,5	8,6	24790.0296	
M 4	16	16	8	9,5	3,5	8,4	24790.0298	
M 4	20	16	8	9,5	3,5	9,1	24790.0300	
M 4	25	16	8	9,5	3,5	9,0	24790.0302	
M 5	10	20	10	11,5	4,0	15,0	24790.0314	
M 5	12	20	10	11,5	4,0	15,0	24790.0315	
M 5	16	20	10	11,5	4,0	16,0	24790.0317	
M 5	20	20	10	11,5	4,0	16,0	24790.0319	
M 5	25	20	10	11,5	4,0	17,0	24790.0321	
M 5	30	20	10	11,5	4,0	17,0	24790.0323	
M 6	12	24	12	15,0	5,0	28,0	24790.0334	
M 6	16	24	12	15,0	5,0	28,0	24790.0336	
M 6	20	24	12	15,0	5,0	29,0	24790.0338	
M 6	25	24	12	15,0	5,0	30,0	24790.0340	
M 6	30	24	12	15,0	5,0	31,0	24790.0342	
M 6	35	24	12	15,0	5,0	31,0	24790.0344	
M 8	16	30	16	18,0	6,0	55,0	24790.0354	
M 8	20	30	16	18,0	6,0	56,0	24790.0356	
M 8	25	30	16	18,0	6,0	58,0	24790.0358	
M 8	30	30	16	18,0	6,0	60,0	24790.0360	
M 8	35	30	16	18,0	6,0	62,0	24790.0362	

Toepassingsvoorbeeld



Voldoet

Selecteer voor gedetailleerde informatie over de naleving het gewenste artikelnummer.