

## Stergreep met draadeind • kunststof

EH 24750.



### Productbeschrijving

#### Materiaal

##### Deksel

- thermoplast (PA), zwart gelijk RAL 9005
- thermoplast (PA), wit gelijk RAL 9019
- thermoplast (PA), oranje gelijk RAL 2004
- thermoplast (PA), geel gelijk RAL 1016
- thermoplast (PA), blauw gelijk RAL 5015

##### Greep

- thermoplast (PA 6), zwart gelijk RAL 9005

##### Schroef

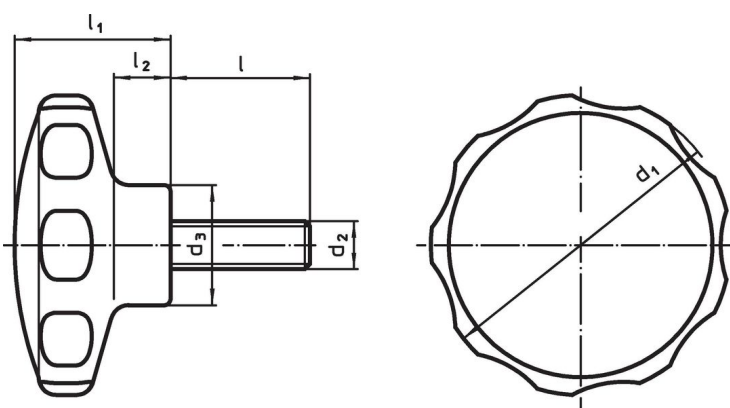
- Roestvast staal

#### Meer informatie

#### Opmerkingen

Speciale uitvoeringen, bijvoorbeeld afwijkende schroefdraad of schroefdraadlengtes, op aanvraag.

### Tekening



### Bestelinformatie

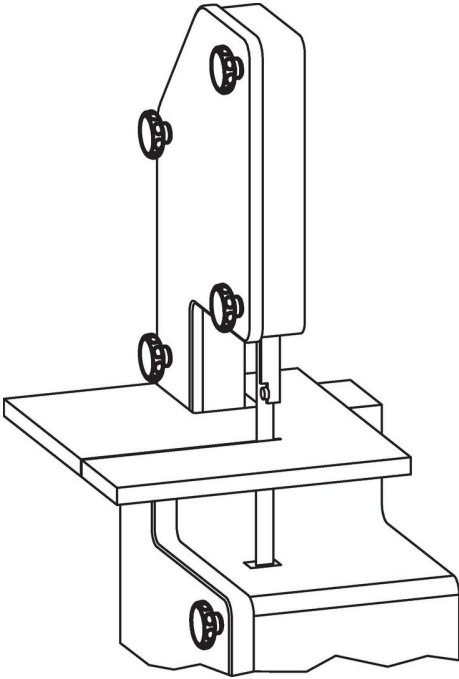
Afmetingen							min.  max.		[g]	Artikelnr.
d <sub>1</sub>	d <sub>2</sub>	l	d <sub>3</sub>	l <sub>1</sub>	l <sub>2</sub>	[mm]	[°C]			
zwart										
30	M 4	10	14,0	19	7		-30	80	6,1	<a href="#">24750.0100</a>
30	M 4	14	14,0	19	7		-30	80	6,6	<a href="#">24750.0110</a>
30	M 4	18	14,0	19	7		-30	80	6,9	<a href="#">24750.0120</a>
30	M 4	23	14,0	19	7		-30	80	7,3	<a href="#">24750.0130</a>
30	M 4	28	14,0	19	7		-30	80	7,7	<a href="#">24750.0140</a>
30	M 5	10	14,0	19	7		-30	80	7,5	<a href="#">24750.0150</a>
30	M 5	14	14,0	19	7		-30	80	7,9	<a href="#">24750.0160</a>
30	M 5	18	14,0	19	7		-30	80	8,4	<a href="#">24750.0170</a>
30	M 5	23	14,0	19	7		-30	80	9,0	<a href="#">24750.0180</a>
30	M 5	28	14,0	19	7		-30	80	9,0	<a href="#">24750.0190</a>
40	M 5	10	16,5	22	9		-30	80	9,6	<a href="#">24750.0200</a>
40	M 5	14	16,5	22	9		-30	80	10,0	<a href="#">24750.0210</a>
40	M 5	18	16,5	22	9		-30	80	11,0	<a href="#">24750.0220</a>
40	M 5	23	16,5	22	9		-30	80	12,0	<a href="#">24750.0230</a>
40	M 5	28	16,5	22	9		-30	80	12,0	<a href="#">24750.0240</a>
40	M 6	14	16,5	22	9		-30	80	12,0	<a href="#">24750.0250</a>
40	M 6	18	16,5	22	9		-30	80	13,0	<a href="#">24750.0260</a>
40	M 6	23	16,5	22	9		-30	80	14,0	<a href="#">24750.0270</a>
40	M 6	28	16,5	22	9		-30	80	15,0	<a href="#">24750.0280</a>
40	M 6	38	16,5	22	9		-30	80	16,0	<a href="#">24750.0290</a>
50	M 6	14	22,0	26	10		-30	80	19,0	<a href="#">24750.0300</a>
50	M 6	18	22,0	26	10		-30	80	19,0	<a href="#">24750.0310</a>
50	M 6	23	22,0	26	10		-30	80	20,0	<a href="#">24750.0320</a>

Afmetingen						min.	max.	[g]	Artikelnr.
d <sub>1</sub>	d <sub>2</sub>	l	d <sub>3</sub>	l <sub>1</sub>	l <sub>2</sub>				
50	M 6	28	22,0	26	10	-30	80	21,0	24750.0330
50	M 6	38	22,0	26	10	-30	80	23,0	24750.0340
50	M 8	18	22,0	26	10	-30	80	26,0	24750.0350
50	M 8	23	22,0	26	10	-30	80	27,0	24750.0360
50	M 8	28	22,0	26	10	-30	80	29,0	24750.0370
50	M 8	38	22,0	26	10	-30	80	32,0	24750.0380
50	M 8	48	22,0	26	10	-30	80	35,0	24750.0390
62	M 8	18	22,0	35	13	-30	80	40,0	24750.0400
62	M 8	23	22,0	35	13	-30	80	41,0	24750.0410
62	M 8	28	22,0	35	13	-30	80	43,0	24750.0420
62	M 8	38	22,0	35	13	-30	80	46,0	24750.0430
62	M 8	48	22,0	35	13	-30	80	49,0	24750.0440
62	M10	23	22,0	35	13	-30	80	51,0	24750.0450
62	M10	28	22,0	35	13	-30	80	54,0	24750.0460
62	M10	38	22,0	35	13	-30	80	59,0	24750.0470
62	M10	48	22,0	35	13	-30	80	64,0	24750.0480
62	M10	58	22,0	35	13	-30	80	69,0	24750.0490
<b>wit</b>									
30	M 4	10	14,0	19	7	-30	80	6,1	24750.0101
30	M 4	14	14,0	19	7	-30	80	6,6	24750.0111
30	M 4	18	14,0	19	7	-30	80	6,9	24750.0121
30	M 4	23	14,0	19	7	-30	80	7,3	24750.0131
30	M 4	28	14,0	19	7	-30	80	7,7	24750.0141
30	M 5	10	14,0	19	7	-30	80	7,5	24750.0151
30	M 5	14	14,0	19	7	-30	80	7,9	24750.0161
30	M 5	18	14,0	19	7	-30	80	8,4	24750.0171
30	M 5	23	14,0	19	7	-30	80	9,0	24750.0181
30	M 5	28	14,0	19	7	-30	80	9,0	24750.0191
40	M 5	10	16,5	22	9	-30	80	9,6	24750.0201
40	M 5	14	16,5	22	9	-30	80	10,0	24750.0211
40	M 5	18	16,5	22	9	-30	80	11,0	24750.0221
40	M 5	23	16,5	22	9	-30	80	12,0	24750.0231
40	M 5	28	16,5	22	9	-30	80	12,0	24750.0241
40	M 6	14	16,5	22	9	-30	80	12,0	24750.0251
40	M 6	18	16,5	22	9	-30	80	13,0	24750.0261
40	M 6	23	16,5	22	9	-30	80	14,0	24750.0271
40	M 6	28	16,5	22	9	-30	80	15,0	24750.0281
40	M 6	38	16,5	22	9	-30	80	16,0	24750.0291
50	M 6	14	22,0	26	10	-30	80	19,0	24750.0301
50	M 6	18	22,0	26	10	-30	80	19,0	24750.0311
50	M 6	23	22,0	26	10	-30	80	20,0	24750.0321
50	M 6	28	22,0	26	10	-30	80	21,0	24750.0331
50	M 6	38	22,0	26	10	-30	80	23,0	24750.0341
50	M 8	18	22,0	26	10	-30	80	26,0	24750.0351
50	M 8	23	22,0	26	10	-30	80	27,0	24750.0361
50	M 8	28	22,0	26	10	-30	80	29,0	24750.0371
50	M 8	38	22,0	26	10	-30	80	32,0	24750.0381
50	M 8	48	22,0	26	10	-30	80	35,0	24750.0391
62	M 8	18	22,0	35	13	-30	80	40,0	24750.0401
62	M 8	23	22,0	35	13	-30	80	41,0	24750.0411
62	M 8	28	22,0	35	13	-30	80	43,0	24750.0421
62	M 8	38	22,0	35	13	-30	80	46,0	24750.0431
62	M 8	48	22,0	35	13	-30	80	49,0	24750.0441
62	M10	23	22,0	35	13	-30	80	51,0	24750.0451
62	M10	28	22,0	35	13	-30	80	54,0	24750.0461
62	M10	38	22,0	35	13	-30	80	59,0	24750.0471
62	M10	48	22,0	35	13	-30	80	64,0	24750.0481
62	M10	58	22,0	35	13	-30	80	69,0	24750.0491
<b>oranje</b>									
30	M 4	10	14,0	19	7	-30	80	6,1	24750.0102
30	M 4	14	14,0	19	7	-30	80	6,6	24750.0112
30	M 4	18	14,0	19	7	-30	80	6,9	24750.0122

Afmetingen						min.	max.	[g]	Artikelnr.
d <sub>1</sub>	d <sub>2</sub>	l	d <sub>3</sub>	l <sub>1</sub>	l <sub>2</sub>				
30	M 4	23	14,0	19	7	-30	80	7,3	<a href="#">24750.0132</a>
30	M 4	28	14,0	19	7	-30	80	7,7	<a href="#">24750.0142</a>
30	M 5	10	14,0	19	7	-30	80	7,5	<a href="#">24750.0152</a>
30	M 5	14	14,0	19	7	-30	80	7,9	<a href="#">24750.0162</a>
30	M 5	18	14,0	19	7	-30	80	8,4	<a href="#">24750.0172</a>
30	M 5	23	14,0	19	7	-30	80	9,0	<a href="#">24750.0182</a>
30	M 5	28	14,0	19	7	-30	80	9,0	<a href="#">24750.0192</a>
40	M 5	10	16,5	22	9	-30	80	9,6	<a href="#">24750.0202</a>
40	M 5	14	16,5	22	9	-30	80	10,0	<a href="#">24750.0212</a>
40	M 5	18	16,5	22	9	-30	80	11,0	<a href="#">24750.0222</a>
40	M 5	23	16,5	22	9	-30	80	12,0	<a href="#">24750.0232</a>
40	M 5	28	16,5	22	9	-30	80	12,0	<a href="#">24750.0242</a>
40	M 6	14	16,5	22	9	-30	80	12,0	<a href="#">24750.0252</a>
40	M 6	18	16,5	22	9	-30	80	13,0	<a href="#">24750.0262</a>
40	M 6	23	16,5	22	9	-30	80	14,0	<a href="#">24750.0272</a>
40	M 6	28	16,5	22	9	-30	80	15,0	<a href="#">24750.0282</a>
40	M 6	38	16,5	22	9	-30	80	16,0	<a href="#">24750.0292</a>
50	M 6	14	22,0	26	10	-30	80	19,0	<a href="#">24750.0302</a>
50	M 6	18	22,0	26	10	-30	80	19,0	<a href="#">24750.0312</a>
50	M 6	23	22,0	26	10	-30	80	20,0	<a href="#">24750.0322</a>
50	M 6	28	22,0	26	10	-30	80	21,0	<a href="#">24750.0332</a>
50	M 6	38	22,0	26	10	-30	80	23,0	<a href="#">24750.0342</a>
50	M 8	18	22,0	26	10	-30	80	26,0	<a href="#">24750.0352</a>
50	M 8	23	22,0	26	10	-30	80	27,0	<a href="#">24750.0362</a>
50	M 8	28	22,0	26	10	-30	80	29,0	<a href="#">24750.0372</a>
50	M 8	38	22,0	26	10	-30	80	32,0	<a href="#">24750.0382</a>
50	M 8	48	22,0	26	10	-30	80	35,0	<a href="#">24750.0392</a>
62	M 8	18	22,0	35	13	-30	80	40,0	<a href="#">24750.0402</a>
62	M 8	23	22,0	35	13	-30	80	41,0	<a href="#">24750.0412</a>
62	M 8	28	22,0	35	13	-30	80	43,0	<a href="#">24750.0422</a>
62	M 8	38	22,0	35	13	-30	80	46,0	<a href="#">24750.0432</a>
62	M 8	48	22,0	35	13	-30	80	49,0	<a href="#">24750.0442</a>
62	M10	23	22,0	35	13	-30	80	51,0	<a href="#">24750.0452</a>
62	M10	28	22,0	35	13	-30	80	54,0	<a href="#">24750.0462</a>
62	M10	38	22,0	35	13	-30	80	59,0	<a href="#">24750.0472</a>
62	M10	48	22,0	35	13	-30	80	64,0	<a href="#">24750.0482</a>
62	M10	58	22,0	35	13	-30	80	69,0	<a href="#">24750.0492</a>
<b>geel</b>									
30	M 4	10	14,0	19	7	-30	80	6,1	<a href="#">24750.0103</a>
30	M 4	14	14,0	19	7	-30	80	6,6	<a href="#">24750.0113</a>
30	M 4	18	14,0	19	7	-30	80	6,9	<a href="#">24750.0123</a>
30	M 4	23	14,0	19	7	-30	80	7,3	<a href="#">24750.0133</a>
30	M 4	28	14,0	19	7	-30	80	7,7	<a href="#">24750.0143</a>
30	M 5	10	14,0	19	7	-30	80	7,5	<a href="#">24750.0153</a>
30	M 5	14	14,0	19	7	-30	80	7,9	<a href="#">24750.0163</a>
30	M 5	18	14,0	19	7	-30	80	8,4	<a href="#">24750.0173</a>
30	M 5	23	14,0	19	7	-30	80	9,0	<a href="#">24750.0183</a>
30	M 5	28	14,0	19	7	-30	80	9,0	<a href="#">24750.0193</a>
40	M 5	10	16,5	22	9	-30	80	9,6	<a href="#">24750.0203</a>
40	M 5	14	16,5	22	9	-30	80	10,0	<a href="#">24750.0213</a>
40	M 5	18	16,5	22	9	-30	80	11,0	<a href="#">24750.0223</a>
40	M 5	23	16,5	22	9	-30	80	12,0	<a href="#">24750.0233</a>
40	M 5	28	16,5	22	9	-30	80	12,0	<a href="#">24750.0243</a>
40	M 6	14	16,5	22	9	-30	80	12,0	<a href="#">24750.0253</a>
40	M 6	18	16,5	22	9	-30	80	13,0	<a href="#">24750.0263</a>
40	M 6	23	16,5	22	9	-30	80	14,0	<a href="#">24750.0273</a>
40	M 6	28	16,5	22	9	-30	80	15,0	<a href="#">24750.0283</a>
40	M 6	38	16,5	22	9	-30	80	16,0	<a href="#">24750.0293</a>
50	M 6	14	22,0	26	10	-30	80	19,0	<a href="#">24750.0303</a>
50	M 6	18	22,0	26	10	-30	80	19,0	<a href="#">24750.0313</a>
50	M 6	23	22,0	26	10	-30	80	20,0	<a href="#">24750.0323</a>
50	M 6	28	22,0	26	10	-30	80	21,0	<a href="#">24750.0333</a>

Afmetingen						min.	max.	[g]	Artikelnr.
d <sub>1</sub>	d <sub>2</sub>	l	d <sub>3</sub>	l <sub>1</sub>	l <sub>2</sub>				
50	M 6	38	22,0	26	10	-30	80	23,0	<a href="#">24750.0343</a>
50	M 8	18	22,0	26	10	-30	80	26,0	<a href="#">24750.0353</a>
50	M 8	23	22,0	26	10	-30	80	27,0	<a href="#">24750.0363</a>
50	M 8	28	22,0	26	10	-30	80	29,0	<a href="#">24750.0373</a>
50	M 8	38	22,0	26	10	-30	80	32,0	<a href="#">24750.0383</a>
50	M 8	48	22,0	26	10	-30	80	35,0	<a href="#">24750.0393</a>
62	M 8	18	22,0	35	13	-30	80	40,0	<a href="#">24750.0403</a>
62	M 8	23	22,0	35	13	-30	80	41,0	<a href="#">24750.0413</a>
62	M 8	28	22,0	35	13	-30	80	43,0	<a href="#">24750.0423</a>
62	M 8	38	22,0	35	13	-30	80	46,0	<a href="#">24750.0433</a>
62	M 8	48	22,0	35	13	-30	80	49,0	<a href="#">24750.0443</a>
62	M10	23	22,0	35	13	-30	80	51,0	<a href="#">24750.0453</a>
62	M10	28	22,0	35	13	-30	80	54,0	<a href="#">24750.0463</a>
62	M10	38	22,0	35	13	-30	80	59,0	<a href="#">24750.0473</a>
62	M10	48	22,0	35	13	-30	80	64,0	<a href="#">24750.0483</a>
62	M10	58	22,0	35	13	-30	80	69,0	<a href="#">24750.0493</a>
<b>blauw</b>									
30	M 4	10	14,0	19	7	-30	80	6,1	<a href="#">24750.0104</a>
30	M 4	14	14,0	19	7	-30	80	6,6	<a href="#">24750.0114</a>
30	M 4	18	14,0	19	7	-30	80	6,9	<a href="#">24750.0124</a>
30	M 4	23	14,0	19	7	-30	80	7,3	<a href="#">24750.0134</a>
30	M 4	28	14,0	19	7	-30	80	7,7	<a href="#">24750.0144</a>
30	M 5	10	14,0	19	7	-30	80	7,5	<a href="#">24750.0154</a>
30	M 5	14	14,0	19	7	-30	80	7,9	<a href="#">24750.0164</a>
30	M 5	18	14,0	19	7	-30	80	8,4	<a href="#">24750.0174</a>
30	M 5	23	14,0	19	7	-30	80	9,0	<a href="#">24750.0184</a>
30	M 5	28	14,0	19	7	-30	80	9,0	<a href="#">24750.0194</a>
40	M 5	10	16,5	22	9	-30	80	9,6	<a href="#">24750.0204</a>
40	M 5	14	16,5	22	9	-30	80	10,0	<a href="#">24750.0214</a>
40	M 5	18	16,5	22	9	-30	80	11,0	<a href="#">24750.0224</a>
40	M 5	23	16,5	22	9	-30	80	12,0	<a href="#">24750.0234</a>
40	M 5	28	16,5	22	9	-30	80	12,0	<a href="#">24750.0244</a>
40	M 6	14	16,5	22	9	-30	80	12,0	<a href="#">24750.0254</a>
40	M 6	18	16,5	22	9	-30	80	13,0	<a href="#">24750.0264</a>
40	M 6	23	16,5	22	9	-30	80	14,0	<a href="#">24750.0274</a>
40	M 6	28	16,5	22	9	-30	80	15,0	<a href="#">24750.0284</a>
40	M 6	38	16,5	22	9	-30	80	16,0	<a href="#">24750.0294</a>
50	M 6	14	22,0	26	10	-30	80	19,0	<a href="#">24750.0304</a>
50	M 6	18	22,0	26	10	-30	80	19,0	<a href="#">24750.0314</a>
50	M 6	23	22,0	26	10	-30	80	20,0	<a href="#">24750.0324</a>
50	M 6	28	22,0	26	10	-30	80	21,0	<a href="#">24750.0334</a>
50	M 6	38	22,0	26	10	-30	80	23,0	<a href="#">24750.0344</a>
50	M 8	18	22,0	26	10	-30	80	26,0	<a href="#">24750.0354</a>
50	M 8	23	22,0	26	10	-30	80	27,0	<a href="#">24750.0364</a>
50	M 8	28	22,0	26	10	-30	80	29,0	<a href="#">24750.0374</a>
50	M 8	38	22,0	26	10	-30	80	32,0	<a href="#">24750.0384</a>
50	M 8	48	22,0	26	10	-30	80	35,0	<a href="#">24750.0394</a>
62	M 8	18	22,0	35	13	-30	80	40,0	<a href="#">24750.0404</a>
62	M 8	23	22,0	35	13	-30	80	41,0	<a href="#">24750.0414</a>
62	M 8	28	22,0	35	13	-30	80	43,0	<a href="#">24750.0424</a>
62	M 8	38	22,0	35	13	-30	80	46,0	<a href="#">24750.0434</a>
62	M 8	48	22,0	35	13	-30	80	49,0	<a href="#">24750.0444</a>
62	M10	23	22,0	35	13	-30	80	51,0	<a href="#">24750.0454</a>
62	M10	28	22,0	35	13	-30	80	54,0	<a href="#">24750.0464</a>
62	M10	38	22,0	35	13	-30	80	59,0	<a href="#">24750.0474</a>
62	M10	48	22,0	35	13	-30	80	64,0	<a href="#">24750.0484</a>
62	M10	58	22,0	35	13	-30	80	69,0	<a href="#">24750.0494</a>

## Toepassingsvoorbeeld



## Voldoet

### Conform RoHS

Voldoet aan Richtlijn 2011/65/EU en richtlijn 2015/863

### Bevat geen SVHC stoffen

Bevat geen SVHC-stoffen met meer dan 0,1% w/w - SVHC-lijst per 27.06.2024.

### Bevat geen propositie 65 stoffen

Geen propositie 65 stoffen inbegrepen  
<https://www.P65Warnings.ca.gov/>

### Vrij van conflictmineralen

Dit product bevat geen stoffen die worden aangeduid als "conflictmineralen" zoals tantaal, tin, goud of wolfram uit de Democratische Republiek Congo of aangrenzende landen."