

## verstelbare klemhefbomen • met RVS binnendelen, met draadeind EH 24390.



### Productbeschrijving

Verstelbare klemhefbomen met RVS axiallager met draadbus. Veelvuldige toepassingsmogelijkheden, bijvoorbeeld in de medische techniek, chemische industrie e.a.

### Materiaal

#### Hefboom

- zinkspluitgietwerk, met kunststofcoating, oranje vergelijkbaar met RAL 2004, matstructuur
- Zamak, geplastificeerd, zwart gelijk RAL 9005, matte structuur

#### Binnendelen

- RVS 1.4305

#### Schroef

- RVS 1.4305

### Werking

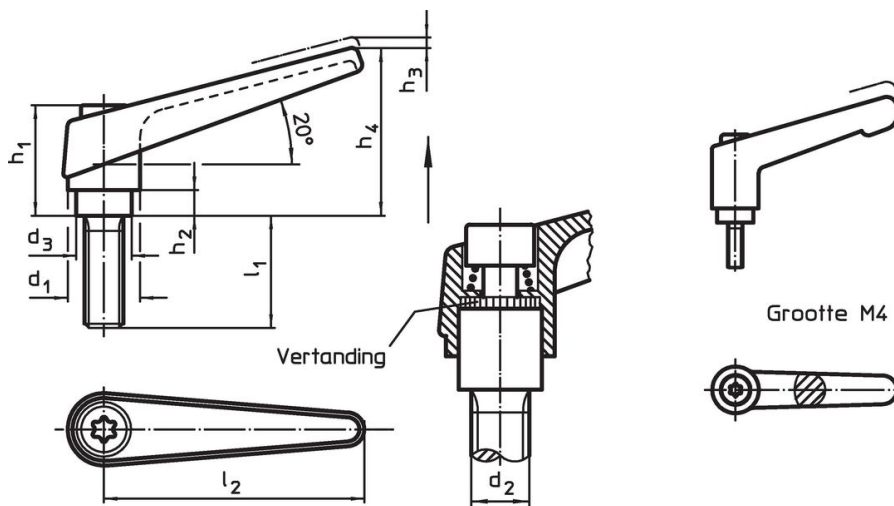
Door heffen van de hefboom wordt de veranding vrijgegeven. De hefboom wordt via de veranding gepositioneerd. Het draadeind kan vervangen worden. Na het loslaten klikt de veranding erin.

### Meer informatie

### Opmerkingen


Het draadeind kan vervangen worden.

### Tekening



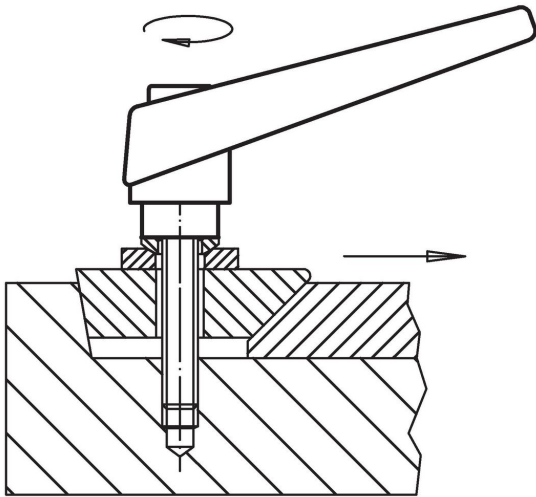
### Bestelinformatie

d <sub>1</sub>	d <sub>2</sub>	l <sub>1</sub>	d <sub>3</sub>	Afmetingen					l <sub>2</sub>	[g]	Artikelnr.
				h <sub>1</sub>	h <sub>2</sub>	h <sub>3</sub>	h <sub>4</sub>	[mm]			
<b>oranje</b>											
13	M 4	12	10,0	24,5	4,0	3,5	30,5	30	27	24390.0010	
13	M 4	16	10,0	24,5	4,0	3,5	30,5	30	30	24390.0014	
13	M 4	20	10,0	24,5	4,0	3,5	30,5	30	28	24390.0018	
13	M 4	25	10,0	24,5	4,0	3,5	30,5	30	28	24390.0022	
13	M 4	32	10,0	24,5	4,0	3,5	30,5	30	29	24390.0026	
14	M 5	12	10,0	24,5	4,0	3,0	35,0	45	36	24390.0041	
14	M 5	16	10,0	24,5	4,0	3,0	35,0	45	36	24390.0051	
14	M 5	20	10,0	24,5	4,0	3,0	35,0	45	37	24390.0061	
14	M 5	25	10,0	24,5	4,0	3,0	35,0	45	38	24390.0071	
14	M 5	32	10,0	24,5	4,0	3,0	35,0	45	38	24390.0081	
14	M 5	40	10,0	24,5	4,0	3,0	35,0	45	39	24390.0086	
14	M 6	12	10,0	24,5	4,0	3,0	35,0	45	37	24390.0131	
14	M 6	16	10,0	24,5	4,0	3,0	35,0	45	37	24390.0141	
14	M 6	20	10,0	24,5	4,0	3,0	35,0	45	38	24390.0151	
14	M 6	25	10,0	24,5	4,0	3,0	35,0	45	39	24390.0161	
14	M 6	32	10,0	24,5	4,0	3,0	35,0	45	40	24390.0171	
14	M 6	40	10,0	24,5	4,0	3,0	35,0	45	41	24390.0181	
14	M 6	50	10,0	24,5	4,0	3,0	35,0	45	43	24390.0191	

d <sub>1</sub>	d <sub>2</sub>	l <sub>1</sub>	d <sub>3</sub>	Afmetingen					l <sub>2</sub>	 [g]	Artikelnr.
				h <sub>1</sub>	h <sub>2</sub>	h <sub>3</sub>	h <sub>4</sub>	[mm]			
18	M 8	16	13,5	31,0	6,5	3,0	45,0	62	74	24390.0331	
18	M 8	20	13,5	31,0	6,5	3,0	45,0	62	76	24390.0341	
18	M 8	25	13,5	31,0	6,5	3,0	45,0	62	77	24390.0351	
18	M 8	32	13,5	31,0	6,5	3,0	45,0	62	79	24390.0361	
18	M 8	40	13,5	31,0	6,5	3,0	45,0	62	81	24390.0371	
18	M 8	50	13,5	31,0	6,5	3,0	45,0	62	84	24390.0381	
18	M 8	63	13,5	31,0	6,5	3,0	45,0	62	89	24390.0391	
22	M10	20	16,0	36,0	8,0	3,5	52,0	74	128	24390.0441	
22	M10	25	16,0	36,0	8,0	3,5	52,0	74	130	24390.0451	
22	M10	32	16,0	36,0	8,0	3,5	52,0	74	134	24390.0461	
22	M10	40	16,0	36,0	8,0	3,5	52,0	74	138	24390.0471	
22	M10	50	16,0	36,0	8,0	3,5	52,0	74	143	24390.0481	
22	M10	63	16,0	36,0	8,0	3,5	52,0	74	148	24390.0486	
22	M10	80	16,0	36,0	8,0	3,5	52,0	74	157	24390.0491	
25	M12	25	19,0	43,0	11,0	4,0	63,0	89	205	24390.0541	
25	M12	32	19,0	43,0	11,0	4,0	63,0	89	209	24390.0551	
25	M12	40	19,0	43,0	11,0	4,0	63,0	89	215	24390.0561	
25	M12	50	19,0	43,0	11,0	4,0	63,0	89	222	24390.0571	
25	M12	63	19,0	43,0	11,0	4,0	63,0	89	232	24390.0581	
25	M12	80	19,0	43,0	11,0	4,0	63,0	89	240	24390.0591	
30	M16	32	23,0	50,5	12,0	5,0	76,0	108	348	24390.0641	
30	M16	40	23,0	50,5	12,0	5,0	76,0	108	357	24390.0651	
30	M16	50	23,0	50,5	12,0	5,0	76,0	108	370	24390.0661	
30	M16	63	23,0	50,5	12,0	5,0	76,0	108	386	24390.0671	
30	M16	80	23,0	50,5	12,0	5,0	76,0	108	407	24390.0681	
<b>zwart</b>											
13	M 4	12	10,0	24,5	4,0	3,5	30,5	30	27	24390.0012	
13	M 4	16	10,0	24,5	4,0	3,5	30,5	30	30	24390.0016	
13	M 4	20	10,0	24,5	4,0	3,5	30,5	30	28	24390.0020	
13	M 4	25	10,0	24,5	4,0	3,5	30,5	30	28	24390.0024	
13	M 4	32	10,0	24,5	4,0	3,5	30,5	30	29	24390.0028	
14	M 5	12	10,0	24,5	4,0	3,0	35,0	45	36	24390.0044	
14	M 5	16	10,0	24,5	4,0	3,0	35,0	45	36	24390.0054	
14	M 5	20	10,0	24,5	4,0	3,0	35,0	45	37	24390.0064	
14	M 5	25	10,0	24,5	4,0	3,0	35,0	45	38	24390.0074	
14	M 5	32	10,0	24,5	4,0	3,0	35,0	45	38	24390.0084	
14	M 5	40	10,0	24,5	4,0	3,0	35,0	45	39	24390.0089	
14	M 6	12	10,0	24,5	4,0	3,0	35,0	45	37	24390.0134	
14	M 6	16	10,0	24,5	4,0	3,0	35,0	45	37	24390.0144	
14	M 6	20	10,0	24,5	4,0	3,0	35,0	45	38	24390.0154	
14	M 6	25	10,0	24,5	4,0	3,0	35,0	45	39	24390.0164	
14	M 6	32	10,0	24,5	4,0	3,0	35,0	45	40	24390.0174	
14	M 6	40	10,0	24,5	4,0	3,0	35,0	45	41	24390.0184	
14	M 6	50	10,0	24,5	4,0	3,0	35,0	45	43	24390.0194	
18	M 8	16	13,5	31,0	6,5	3,0	45,0	62	74	24390.0334	
18	M 8	20	13,5	31,0	6,5	3,0	45,0	62	76	24390.0344	
18	M 8	25	13,5	31,0	6,5	3,0	45,0	62	77	24390.0354	
18	M 8	32	13,5	31,0	6,5	3,0	45,0	62	79	24390.0364	
18	M 8	40	13,5	31,0	6,5	3,0	45,0	62	81	24390.0374	
18	M 8	50	13,5	31,0	6,5	3,0	45,0	62	84	24390.0384	
18	M 8	63	13,5	31,0	6,5	3,0	45,0	62	89	24390.0394	
22	M10	20	16,0	36,0	8,0	3,5	52,0	74	128	24390.0444	
22	M10	25	16,0	36,0	8,0	3,5	52,0	74	130	24390.0454	
22	M10	32	16,0	36,0	8,0	3,5	52,0	74	134	24390.0464	
22	M10	40	16,0	36,0	8,0	3,5	52,0	74	138	24390.0474	
22	M10	50	16,0	36,0	8,0	3,5	52,0	74	143	24390.0484	
22	M10	63	16,0	36,0	8,0	3,5	52,0	74	148	24390.0489	
22	M10	80	16,0	36,0	8,0	3,5	52,0	74	157	24390.0494	
25	M12	25	19,0	43,0	11,0	4,0	63,0	89	205	24390.0544	
25	M12	32	19,0	43,0	11,0	4,0	63,0	89	209	24390.0554	
25	M12	40	19,0	43,0	11,0	4,0	63,0	89	215	24390.0564	
25	M12	50	19,0	43,0	11,0	4,0	63,0	89	222	24390.0574	

d <sub>1</sub>	d <sub>2</sub>	l <sub>1</sub>	d <sub>3</sub>	Afmetingen					l <sub>2</sub>	[g]	Artikelnr.
				h <sub>1</sub>	h <sub>2</sub>	h <sub>3</sub>	h <sub>4</sub>	[mm]			
25	M12	63	19,0	43,0	11,0	4,0	63,0	89	232	24390.0584	
25	M12	80	19,0	43,0	11,0	4,0	63,0	89	240	24390.0594	
30	M16	32	23,0	50,5	12,0	5,0	76,0	108	348	24390.0644	
30	M16	40	23,0	50,5	12,0	5,0	76,0	108	357	24390.0654	
30	M16	50	23,0	50,5	12,0	5,0	76,0	108	370	24390.0664	
30	M16	63	23,0	50,5	12,0	5,0	76,0	108	386	24390.0674	
30	M16	80	23,0	50,5	12,0	5,0	76,0	108	407	24390.0684	

### Toepassingsvoorbeeld



### Voldoet

#### Conform RoHS

Bevat lood - voldoet aan uitzonderingen 6a / 6b / 6c

#### Bevat SVHC stoffen >0,1% w/w

Bevat lood - SVHC-lijst per 27.06.2024.

#### Bevat propositie 65 stoffen



Lood kan kanker en reproductieve schade veroorzaken door blootstelling  
<https://www.P65Warnings.ca.gov/>

#### Vrij van conflictmineralen

Dit product bevat geen stoffen die worden aangeduid als "conflictmineralen" zoals tantaal, tin, goud of wolfram uit de Democratische Republiek Congo of aangrenzende landen."