

Excentersnelspanner • met draadeind

EH 23390.



Productbeschrijving

Voor het snel en rotatievrij spannen en lossen van onderdelen.
Bij de uitvoering "instelbaar" (afb. 2) kan de hendelinstelling worden aangepast.

Materiaal

Steunring

- thermoplast (PA), glasvezelversterkt
- thermoplast (POM), glasvezelversterkt

Hefboom

- Zinksputgietwerk, geplastificeerd, zwart, vergelijkbaar met RAL9005

Binnendelen

- staal, galvanisch verzinkt.
- RVS 1.4305

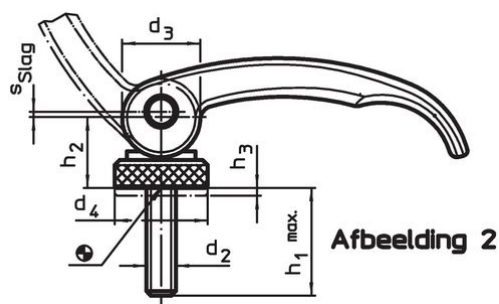
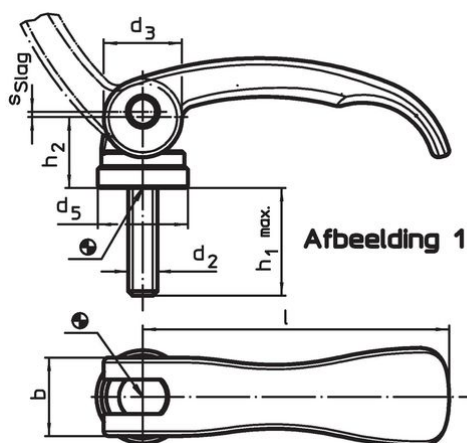
Schroef

- staal, galvanisch verzinkt
- RVS 1.4305

Stelmoer

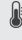

- staal, galvanisch verzinkt.
- RVS 1.4305

Tekening



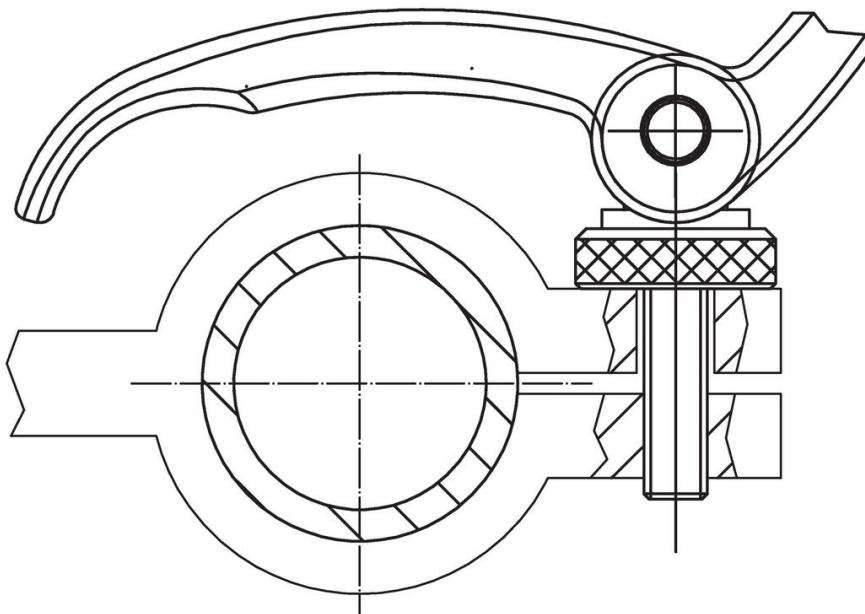
Bestelinformatie

| l | d ₂ | h ₁ max. opspanning | Afmetingen | | | | | | b | Slag s bij 90° hendelpositie | max. [°C] | [g] | Artikelnr. |
|-------------------------------------|----------------|--------------------------------------|----------------|----------------|----------------|------------------------|--|------|------|------------------------------------|--------------|------------|------------|
| | | | d ₃ | d ₄ | d ₅ | h ₂ max. | verstel- bereik h ₃ min. | [mm] | | | | | |
| met draadeind – Afbeelding 1, Staal | | | | | | | | | | | | | |
| 63 | M5 | 16 | 16 | – | 18,5 | 16,4 | – | 16 | 0,75 | 80 | 62 | 23390.0030 | |
| 63 | M5 | 20 | 16 | – | 18,5 | 16,4 | – | 16 | 0,75 | 80 | 63 | 23390.0031 | |
| 63 | M5 | 25 | 16 | – | 18,5 | 16,4 | – | 16 | 0,75 | 80 | 63 | 23390.0032 | |
| 63 | M5 | 30 | 16 | – | 18,5 | 16,4 | – | 16 | 0,75 | 80 | 65 | 23390.0033 | |
| 63 | M5 | 35 | 16 | – | 18,5 | 16,4 | – | 16 | 0,75 | 80 | 65 | 23390.0034 | |
| 63 | M5 | 40 | 16 | – | 18,5 | 16,4 | – | 16 | 0,75 | 80 | 65 | 23390.0035 | |
| 63 | M5 | 50 | 16 | – | 18,5 | 16,4 | – | 16 | 0,75 | 80 | 67 | 23390.0036 | |
| 63 | M6 | 16 | 16 | – | 18,5 | 16,4 | – | 16 | 0,75 | 80 | 63 | 23390.0009 | |
| 63 | M6 | 20 | 16 | – | 18,5 | 16,4 | – | 16 | 0,75 | 80 | 65 | 23390.0010 | |
| 63 | M6 | 25 | 16 | – | 18,5 | 16,4 | – | 16 | 0,75 | 80 | 65 | 23390.0011 | |
| 63 | M6 | 30 | 16 | – | 18,5 | 16,4 | – | 16 | 0,75 | 80 | 65 | 23390.0012 | |
| 63 | M6 | 35 | 16 | – | 18,5 | 16,4 | – | 16 | 0,75 | 80 | 66 | 23390.0013 | |

| l | d ₂ | Afmetingen | | | | | | | Slag s bij 90° hendelpositie |  max. |  [g] | Artikelnr. |
|--|----------------|--------------------------------------|----------------|----------------|----------------|------------------------|--|----|------------------------------------|---|--|------------|
| | | h ₁ max. opspanning | d ₃ | d ₄ | d ₅ | h ₂ max. | verstel- bereik h ₃ min. | b | | | | |
| 63 | M6 | 40 | 16 | – | 18,5 | 16,4 | – | 16 | 0,75 | 80 | 68 | 23390.0014 |
| 63 | M6 | 50 | 16 | – | 18,5 | 16,4 | – | 16 | 0,75 | 80 | 69 | 23390.0016 |
| 82 | M8 | 20 | 20 | – | 22,5 | 19,5 | – | 20 | 1,00 | 80 | 128 | 23390.0019 |
| 82 | M8 | 25 | 20 | – | 22,5 | 19,5 | – | 20 | 1,00 | 80 | 129 | 23390.0020 |
| 82 | M8 | 30 | 20 | – | 22,5 | 19,5 | – | 20 | 1,00 | 80 | 132 | 23390.0021 |
| 82 | M8 | 35 | 20 | – | 22,5 | 19,5 | – | 20 | 1,00 | 80 | 134 | 23390.0022 |
| 82 | M8 | 40 | 20 | – | 22,5 | 19,5 | – | 20 | 1,00 | 80 | 136 | 23390.0023 |
| 82 | M8 | 50 | 20 | – | 22,5 | 19,5 | – | 20 | 1,00 | 80 | 138 | 23390.0025 |
| 82 | M8 | 60 | 20 | – | 22,5 | 19,5 | – | 20 | 1,00 | 80 | 142 | 23390.0027 |
| met schroef, instelbaar – Afbeelding 2, Staal | | | | | | | | | | | | |
| 63 | M5 | 16 | 16 | 19 | – | 16,4 | 1,5 | 16 | 0,75 | 80 | 68 | 23390.0130 |
| 63 | M5 | 20 | 16 | 19 | – | 16,4 | 1,5 | 16 | 0,75 | 80 | 69 | 23390.0131 |
| 63 | M5 | 25 | 16 | 19 | – | 16,4 | 1,5 | 16 | 0,75 | 80 | 69 | 23390.0132 |
| 63 | M5 | 30 | 16 | 19 | – | 16,4 | 1,5 | 16 | 0,75 | 80 | 71 | 23390.0133 |
| 63 | M5 | 35 | 16 | 19 | – | 16,4 | 1,5 | 16 | 0,75 | 80 | 71 | 23390.0134 |
| 63 | M5 | 40 | 16 | 19 | – | 16,4 | 1,5 | 16 | 0,75 | 80 | 72 | 23390.0135 |
| 63 | M5 | 50 | 16 | 19 | – | 16,4 | 1,5 | 16 | 0,75 | 80 | 73 | 23390.0136 |
| 63 | M6 | 16 | 16 | 19 | – | 16,4 | 1,5 | 16 | 0,75 | 80 | 69 | 23390.0109 |
| 63 | M6 | 20 | 16 | 19 | – | 16,4 | 1,5 | 16 | 0,75 | 80 | 70 | 23390.0110 |
| 63 | M6 | 25 | 16 | 19 | – | 16,4 | 1,5 | 16 | 0,75 | 80 | 72 | 23390.0111 |
| 63 | M6 | 30 | 16 | 19 | – | 16,4 | 1,5 | 16 | 0,75 | 80 | 72 | 23390.0112 |
| 63 | M6 | 35 | 16 | 19 | – | 16,4 | 1,5 | 16 | 0,75 | 80 | 70 | 23390.0113 |
| 63 | M6 | 40 | 16 | 19 | – | 16,4 | 1,5 | 16 | 0,75 | 80 | 74 | 23390.0114 |
| 63 | M6 | 50 | 16 | 19 | – | 16,4 | 1,5 | 16 | 0,75 | 80 | 75 | 23390.0116 |
| 82 | M8 | 20 | 20 | 25 | – | 19,5 | 2,5 | 20 | 1,00 | 80 | 142 | 23390.0119 |
| 82 | M8 | 25 | 20 | 25 | – | 19,5 | 2,5 | 20 | 1,00 | 80 | 145 | 23390.0120 |
| 82 | M8 | 30 | 20 | 25 | – | 19,5 | 2,5 | 20 | 1,00 | 80 | 146 | 23390.0121 |
| 82 | M8 | 35 | 20 | 25 | – | 19,5 | 2,5 | 20 | 1,00 | 80 | 140 | 23390.0122 |
| 82 | M8 | 40 | 20 | 25 | – | 19,5 | 2,5 | 20 | 1,00 | 80 | 149 | 23390.0123 |
| 82 | M8 | 50 | 20 | 25 | – | 19,5 | 2,5 | 20 | 1,00 | 80 | 152 | 23390.0125 |
| 82 | M8 | 60 | 20 | 25 | – | 19,5 | 2,5 | 20 | 1,00 | 80 | 155 | 23390.0127 |
| met draadeind – Afbeelding 1, Roestvast staal | | | | | | | | | | | | |
| 63 | M5 | 16 | 16 | – | 18,5 | 16,4 | – | 16 | 0,75 | 80 | 62 | 23390.0230 |
| 63 | M5 | 20 | 16 | – | 18,5 | 16,4 | – | 16 | 0,75 | 80 | 63 | 23390.0231 |
| 63 | M5 | 25 | 16 | – | 18,5 | 16,4 | – | 16 | 0,75 | 80 | 63 | 23390.0232 |
| 63 | M5 | 30 | 16 | – | 18,5 | 16,4 | – | 16 | 0,75 | 80 | 65 | 23390.0233 |
| 63 | M5 | 35 | 16 | – | 18,5 | 16,4 | – | 16 | 0,75 | 80 | 65 | 23390.0234 |
| 63 | M5 | 40 | 16 | – | 18,5 | 16,4 | – | 16 | 0,75 | 80 | 65 | 23390.0235 |
| 63 | M5 | 50 | 16 | – | 18,5 | 16,4 | – | 16 | 0,75 | 80 | 67 | 23390.0236 |
| 63 | M6 | 16 | 16 | – | 18,5 | 16,4 | – | 16 | 0,75 | 80 | 63 | 23390.0209 |
| 63 | M6 | 20 | 16 | – | 18,5 | 16,4 | – | 16 | 0,75 | 80 | 65 | 23390.0210 |
| 63 | M6 | 25 | 16 | – | 18,5 | 16,4 | – | 16 | 0,75 | 80 | 65 | 23390.0211 |
| 63 | M6 | 30 | 16 | – | 18,5 | 16,4 | – | 16 | 0,75 | 80 | 65 | 23390.0212 |
| 63 | M6 | 35 | 16 | – | 18,5 | 16,4 | – | 16 | 0,75 | 80 | 66 | 23390.0213 |
| 63 | M6 | 40 | 16 | – | 18,5 | 16,4 | – | 16 | 0,75 | 80 | 68 | 23390.0214 |
| 63 | M6 | 50 | 16 | – | 18,5 | 16,4 | – | 16 | 0,75 | 80 | 69 | 23390.0216 |
| 82 | M8 | 20 | 20 | – | 22,5 | 19,5 | – | 20 | 1,00 | 80 | 128 | 23390.0219 |
| 82 | M8 | 25 | 20 | – | 22,5 | 19,5 | – | 20 | 1,00 | 80 | 129 | 23390.0220 |
| 82 | M8 | 30 | 20 | – | 22,5 | 19,5 | – | 20 | 1,00 | 80 | 132 | 23390.0221 |
| 82 | M8 | 35 | 20 | – | 22,5 | 19,5 | – | 20 | 1,00 | 80 | 134 | 23390.0222 |
| 82 | M8 | 40 | 20 | – | 22,5 | 19,5 | – | 20 | 1,00 | 80 | 136 | 23390.0223 |
| 82 | M8 | 50 | 20 | – | 22,5 | 19,5 | – | 20 | 1,00 | 80 | 138 | 23390.0225 |
| 82 | M8 | 60 | 20 | – | 22,5 | 19,5 | – | 20 | 1,00 | 80 | 142 | 23390.0227 |
| met schroef, instelbaar – Afbeelding 2, Roestvast staal | | | | | | | | | | | | |
| 63 | M5 | 16 | 16 | 19 | – | 16,4 | 1,5 | 16 | 0,75 | 80 | 68 | 23390.0330 |
| 63 | M5 | 20 | 16 | 19 | – | 16,4 | 1,5 | 16 | 0,75 | 80 | 69 | 23390.0331 |
| 63 | M5 | 25 | 16 | 19 | – | 16,4 | 1,5 | 16 | 0,75 | 80 | 69 | 23390.0332 |
| 63 | M5 | 30 | 16 | 19 | – | 16,4 | 1,5 | 16 | 0,75 | 80 | 71 | 23390.0333 |
| 63 | M5 | 35 | 16 | 19 | – | 16,4 | 1,5 | 16 | 0,75 | 80 | 71 | 23390.0334 |

| l | d ₂ | h ₁ max. opspanning | Afmetingen | | | | | | b | Slag s bij 90° hendelpositie | max. [°C] | [g] | Artikelnr. |
|----|----------------|--------------------------------------|----------------|----------------|----------------|------------------------|--|------|------|------------------------------------|--------------|----------------------------|------------|
| | | | d ₃ | d ₄ | d ₅ | h ₂ max. | verstel- bereik h ₃ min. | [mm] | | | | | |
| 63 | M5 | 40 | 16 | 19 | – | 16,4 | 1,5 | 16 | 0,75 | 80 | 72 | 23390.0335 | |
| 63 | M5 | 50 | 16 | 19 | – | 16,4 | 1,5 | 16 | 0,75 | 80 | 73 | 23390.0336 | |
| 63 | M6 | 16 | 16 | 19 | – | 16,4 | 1,5 | 16 | 0,75 | 80 | 69 | 23390.0309 | |
| 63 | M6 | 20 | 16 | 19 | – | 16,4 | 1,5 | 16 | 0,75 | 80 | 70 | 23390.0310 | |
| 63 | M6 | 25 | 16 | 19 | – | 16,4 | 1,5 | 16 | 0,75 | 80 | 72 | 23390.0311 | |
| 63 | M6 | 30 | 16 | 19 | – | 16,4 | 1,5 | 16 | 0,75 | 80 | 72 | 23390.0312 | |
| 63 | M6 | 35 | 16 | 19 | – | 16,4 | 1,5 | 16 | 0,75 | 80 | 70 | 23390.0313 | |
| 63 | M6 | 40 | 16 | 19 | – | 16,4 | 1,5 | 16 | 0,75 | 80 | 74 | 23390.0314 | |
| 63 | M6 | 50 | 16 | 19 | – | 16,4 | 1,5 | 16 | 0,75 | 80 | 75 | 23390.0316 | |
| 82 | M8 | 20 | 20 | 25 | – | 19,5 | 2,5 | 20 | 1,00 | 80 | 142 | 23390.0319 | |
| 82 | M8 | 25 | 20 | 25 | – | 19,5 | 2,5 | 20 | 1,00 | 80 | 145 | 23390.0320 | |
| 82 | M8 | 30 | 20 | 25 | – | 19,5 | 2,5 | 20 | 1,00 | 80 | 146 | 23390.0321 | |
| 82 | M8 | 35 | 20 | 25 | – | 19,5 | 2,5 | 20 | 1,00 | 80 | 140 | 23390.0322 | |
| 82 | M8 | 40 | 20 | 25 | – | 19,5 | 2,5 | 20 | 1,00 | 80 | 149 | 23390.0323 | |
| 82 | M8 | 50 | 20 | 25 | – | 19,5 | 2,5 | 20 | 1,00 | 80 | 152 | 23390.0325 | |
| 82 | M8 | 60 | 20 | 25 | – | 19,5 | 2,5 | 20 | 1,00 | 80 | 155 | 23390.0327 | |

Toepassingsvoorbeeld



Voldoet

Selecteer voor gedetailleerde informatie over de naleving het gewenste artikelnummer.