

Centreerspandoornen • cilindrisch

23340.0612



Productbeschrijving

The centering clamping mandrels, cylindrical are ideal for use in fixture construction. They enable workpieces to be clamped with a hole on their inside diameter and therefore without interfering clamping edges. The centering clamping mandrels can be mounted on grid and fixture plates, for example, by pressing them into bores or screwing them into threads.

They enable exact positioning, offer precise repeat accuracy and achieve high holding forces when clamping parts with holes. The centering clamping mandrels offer the possibility of fixing complex workpieces without external clamping elements to enable these components to be machined on 5 sides.

The centering clamping mandrels, cylindrical have the following characteristics:

- Clamping stroke max. 0.7 mm
- Two versions - for press-in or screw-in
- Made of stainless steel or free-cutting steel
- Clamping body can be machined very easily (for adaptation to bore diameter)

Materiaal

Huls

- Roestvrij staal

Spanschroef

- Roestvrij staal

Montage

The centering clamping mandrel can be adjusted to the respective diameter by turning or milling.

Picture 1 - Mounting in bore hole or socket.

Thread for clamping screw required.

Picture 2 – Mounting in thread.

Clamping screw for the mounting.

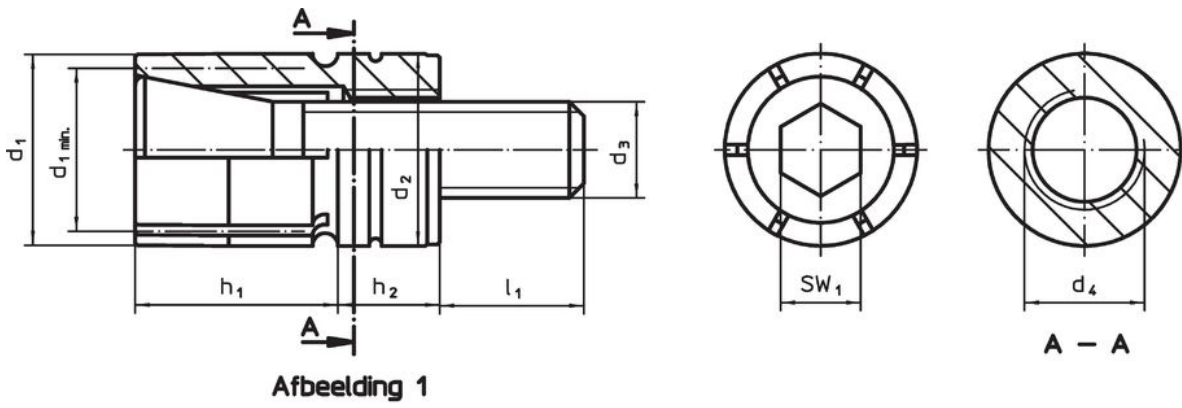
Remove from body.

Screw-in centering clamping elements and tighten using the wrench size (WS₂).

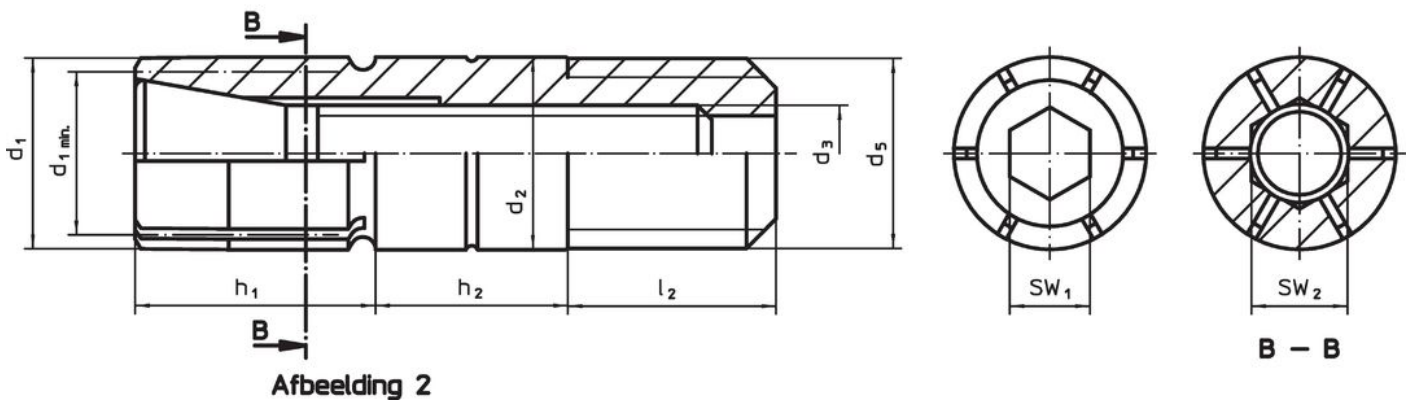
Werking

It is operated using the conical clamping screw (WS₁). This expands the body by up to 0.7 mm.

Tekening



Afbeelding 1

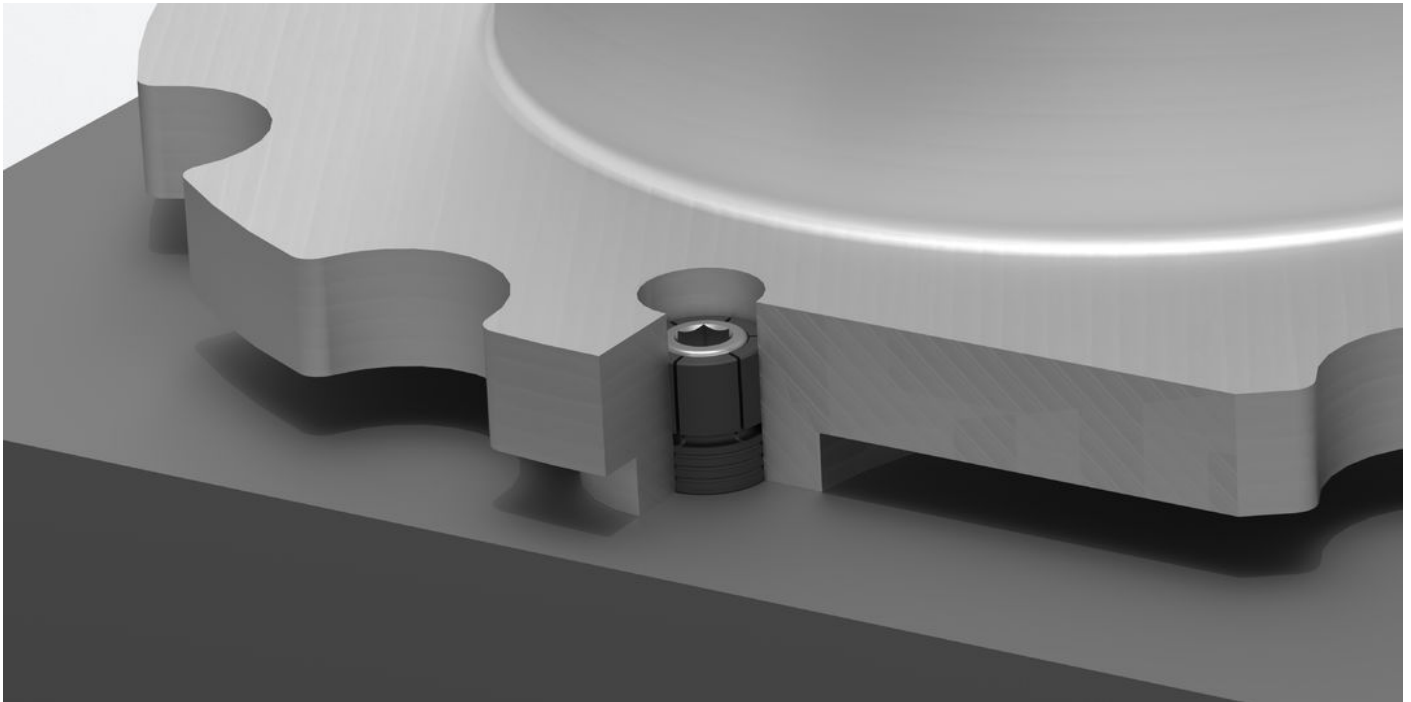


Afbeelding 2

Bestelinformatie

d ₁	d ₁ min.	d ₂ -0,025	d ₃	Afmetingen			SW		Aantal seg- menten	Spankracht max. [kN]	Aandraai- moment max. [Nm]	[g]	ArtikelNr.	
				d ₅	h ₁	h ₂	l ₂	SW ₁						SW ₂
[mm]													[g]	
screwable – Afbeelding 2, Roestvrij staal														
12	10,5	12	M6	M12 x 1,75	15	12	13	5	6	6	8,5	17	30	23340.0612

Toepassingsvoorbeeld



Voldoet

Conform RoHS

Voldoet aan Richtlijn 2011/65/EU en richtlijn 2015/863

Bevat geen SVHC stoffen

Bevat geen SVHC-stoffen met meer dan 0,1% w/w - SVHC-lijst per 27.06.2024.

Bevat geen propositie 65 stoffen

Geen propositie 65 stoffen inbegrepen
<https://www.P65Warnings.ca.gov/>

Vrij van conflictmineralen

Dit product bevat geen stoffen die worden aangeduid als "conflictmineralen" zoals tantaal, tin, goud of wolfram uit de Democratische Republiek Congo of aangrenzende landen."