

## Excenter-spanklemmen • with slot tenon

23270.0418



### Productbeschrijving

The eccentric clamping clamps can be used for quick and easy workpiece clamping directly on the machine table or a base plate with T-slots.

These eccentric clamping clamps with slot tenon are locked in a T-slot, for example on the machine table, with a thrust screw. Clamping takes place via the clamping screw with eccentric head. The brass basic element ensures gentle and secure clamping.

The eccentric clamping clamps with slot tenon have the following characteristics:

- Brass base element for material-friendly clamping
- Quick clamping thanks to clamping screw with eccentric head
- High clamping force is achieved
- Low design enables the machining of flat workpieces
- The compact dimensions enable space-saving multiple clamping

### Materiaal

#### Excenterschroef

- Staal

#### Stelschroef

- staal, gezwart

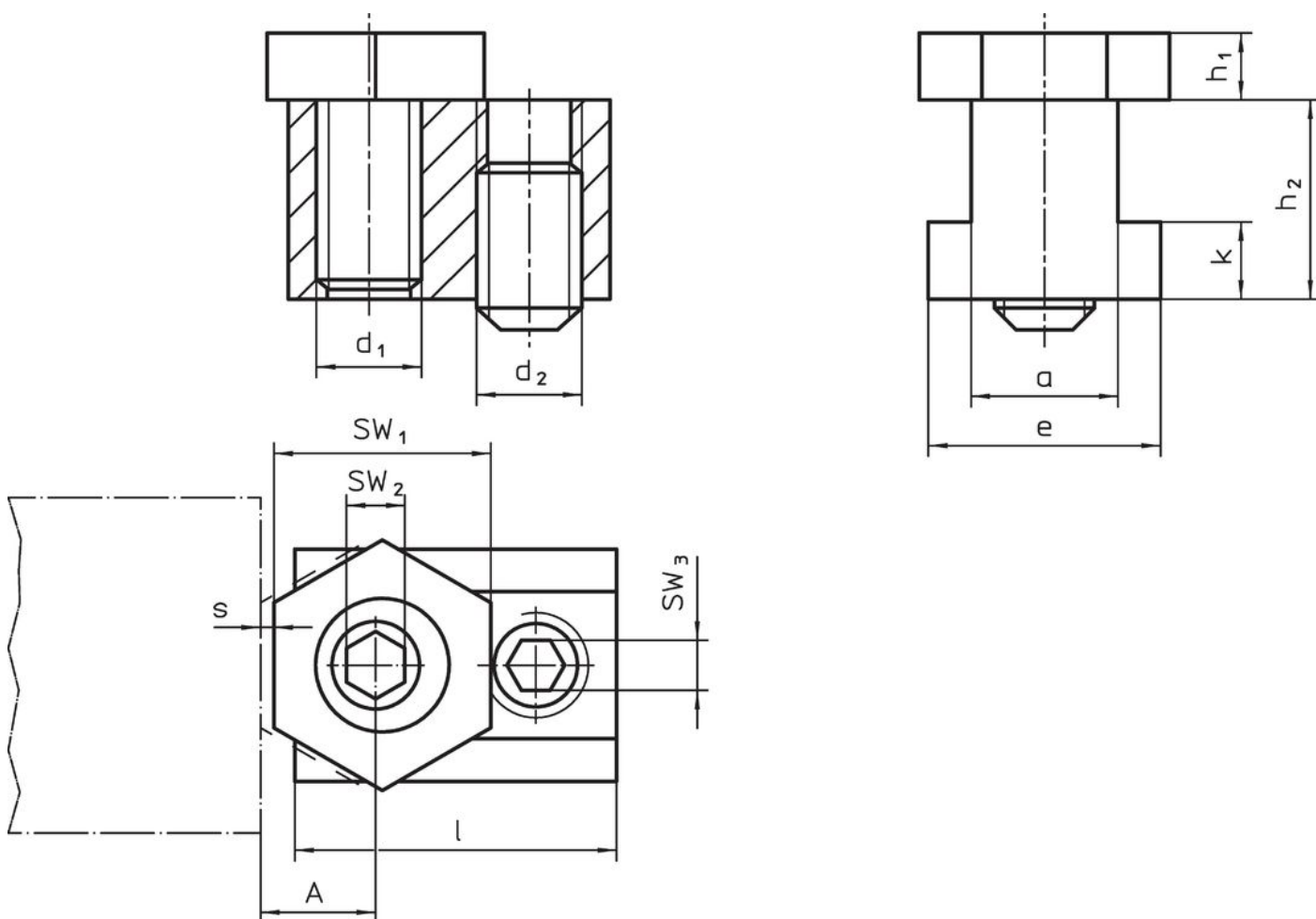
#### Huls

- messing

#### Slot tenon

- staal, gehard, gezwart

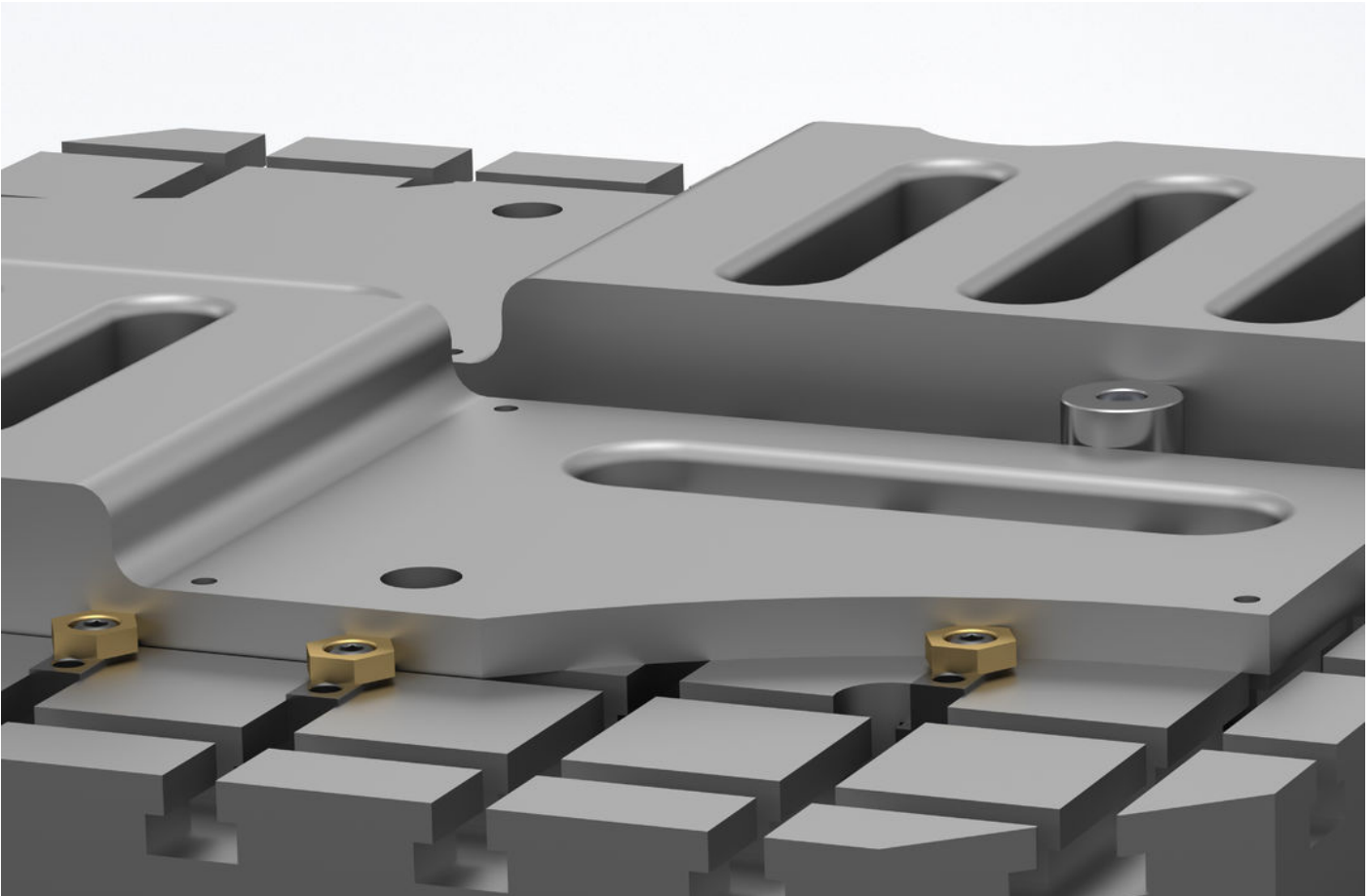
### Tekening



## Bestelinformatie

Nominale gleufmaat	d <sub>1</sub>	a	e	Afmetingen						A	SW			Spankracht max.	Aandraai- moment SW <sub>2</sub> max.	Aandraai- moment SW <sub>3</sub> max.	Artikelnr.
				h <sub>1</sub>	h <sub>2</sub>	k	s	l	SW <sub>1</sub>		SW <sub>2</sub>	SW <sub>3</sub>					
[mm]	[mm]						[mm]	[mm]			[kN]	[Nm]	[Nm]	[g]			
18	M12	17,7	28,5	9,5	28,5	10,5	2,5	34,7	12,7	25,4	8	6	9	75	55	190	23270.0418

## Toepassingsvoorbeeld



## Voldoet

Voldoet aan Richtlijn 2011/65/EU en richtlijn 2015/863

Bevat geen SVHC-stoffen met meer dan 0,1% w/w - SVHC-lijst per 23.01.2024.

Geen propositie 65 stoffen inbegrepen  
<https://www.P65Warnings.ca.gov/>