

Kogelinsteekstiften • zelfborgend, met standaard handvat

22380.0138



Productbeschrijving

Voor snel vastzetten, vergrendelen, aanpassen, vervangen en verzekeren. Snel en makkelijk ontgrendelbaar voor vaak herhaalde verbindingen.
Alle versies zijn corrosiebestendig. Wanneer RVS 1.4542 wordt gebruikt: Geharde stift, daardoor extreem belastbaar, hoogste bescherming tegen slijtage.
Compacte uitvoering met standaard greep.

Materiaal

Stift

- RVS 1.4542, precipitatiegehard

Veer

- Roestvast staal

Werking

De kogels worden ontgrendeld door op de knop te drukken.

Kenmerken

Types van RVS 1.4542 met markering onder de kogels.

Meer informatie

Opmerkingen

Speciale uitvoeringen op aanvraag.

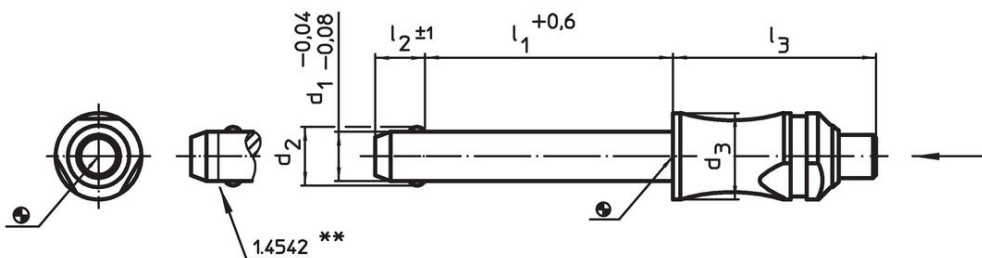
accessoires

Kan makkelijk bevestigd worden met bevestigingskabel EH 22400.

Overige producten

- Kogelinsteekstiften, zelfsluitend, met standaard handvat, titanium
- Opnamebussen, voor kogelinsteekstiften en insteekstiften
- Opnamebussen, met flens, voor kogelinsteekstiften en insteekstiften
- Bevestigingskabels
- Positioneringsbussen, met kraag, DIN 172 A
- Positioneringsbussen, zonder kraag, DIN 179 A

Tekening

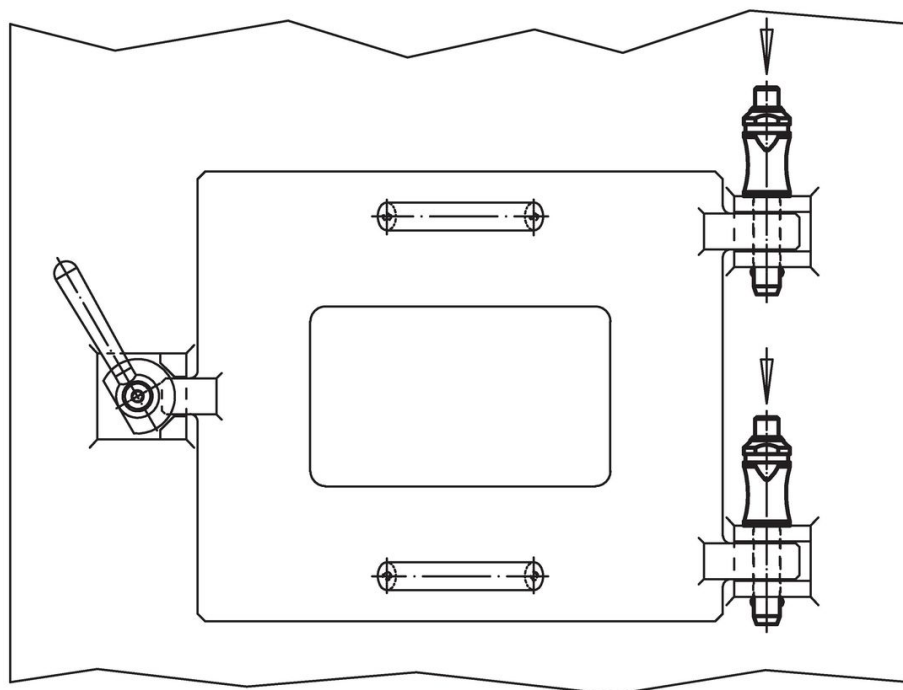


** uitvoering RVS 1.4542 met markering.

Bestelinformatie

Afmetingen						Boring H11	max.		Afschuifsterkte dubbelsnedig ¹⁾ min.	ArtikeInr.
d ₁	l ₁	d ₂	d ₃	l ₂	l ₃	[mm]	[°C]	[g]	[kN]	
-0,04 -0,08	+0,6			±1						
[mm]										
[mm]										
[°C]										
[g]										
[kN]										
[mm]										
[°C]										
[g]										
[kN]										
[mm]										
[°C]										
[g]										
[kN]										
[mm]										
[°C]										
[g]										
[kN]										
[mm]										
[°C]										
[g]										
[kN]										
[mm]										
[°C]										
[g]										
[kN]										
[mm]										
[°C]										
[g]										
[kN]										
[mm]										
[°C]										
[g]										
[kN]										
[mm]										
[°C]										
[g]										
[kN]										
[mm]										
[°C]										
[g]										
[kN]										
[mm]										
[°C]										
[g]										
[kN]										
[mm]										
[°C]										
[g]										
[kN]										
[mm]										
[°C]										
[g]										
[kN]										
[mm]										
[°C]										
[g]										
[kN]										
[mm]										
[°C]										
[g]										
[kN]										
[mm]										
[°C]										
[g]										
[kN]										
[mm]										
[°C]										
[g]										
[kN]										
[mm]										
[°C]										
[g]										
[kN]										
[mm]										
[°C]										
[g]										
[kN]										
[mm]										
[°C]										
[g]										
[kN]										
[mm]										
[°C]										
[g]										
[kN]										
[mm]										
[°C]										
[g]										
[kN]										
[mm]										
[°C]										
[g]										
[kN]										
[mm]										
[°C]										
[g]										
[kN]										
[mm]										
[°C]										
[g]										
[kN]										
[mm]										
[°C]										
[g]										
[kN]										
[mm]										
[°C]										
[g]										
[kN]										
[mm]										
[°C]										
[g]										
[kN]										
[mm]										
[°C]										
[g]										
[kN]										
[mm]										
[°C]										
[g]										
[kN]										
[mm]										
[°C]										
[g]										
[kN]										
[mm]										
[°C]										
[g]										
[kN]										
[mm]										
[°C]										
[g]										
[kN]										
[mm]										
[°C]										
[g]										
[kN]										
[mm]										
[°C]										
[g]										
[kN]										
[mm]										
[°C]										
[g]										
[kN]										
[mm]										
[°C]										
[g]										
[kN]										
[mm]										
[°C]										
[g]										
[kN]										
[mm]										
[°C]										
[g]										
[kN]										
[mm]										
[°C]										
[g]										
[kN]										
[mm]										
[°C]										
[g]										
[kN]										
[mm]										
[°C]										
[g]										
[kN]										
[mm]										
[°C]										
[g]										
[kN]										
[mm]										
[°C]										
[g]										
[kN]										
[mm]										
[°C]										
[g]										
[kN]										
[mm]										
[°C]										
[g]										
[kN]										
[mm]										
[°C]										
[g]										
[kN]										
[mm]										
[°C]										
[g]										
[kN]										
[mm]										
[°C]										
[g]										
[kN]										
[mm]										
[°C]										
[g]										
[kN]										
[mm]										
[°C]										
[g]										
[kN]										
[mm]										
[°C]										
[g]										
[kN]										
[mm]										
[°C]										
[g]										
[kN]										
[mm]										
[°C]										
[g]										
[kN]										
[mm]										
[°C]										
[g]										
[kN]										
[mm]										
[°C]										
[g]										
[kN]										
[mm]										
[°C]										
[g]										
[kN]										
[mm]										
[°C]										
[g]										
[kN]										
[mm]										
[°C]										
[g]										
[kN]										
[mm]										
[°C]										
[g]										
[kN]										
[mm]										
[°C]										
[g]										
[kN]										
[mm]										
[°C]										
[g]										
[kN]										
[mm]										
[°C]										
[g]										
[kN]										
[mm]										
[°C]										
[g]										
[kN]										
[mm]										
[°C]										
[g]										
[kN]										
[mm]										
[°C]										
[g]										
[kN]										
[mm]										
[°C]										
[g]										
[kN]										
[mm]										
[°C]										
[g]										
[kN]										
[mm]										
[°C]										
[g]										
[kN]										
[mm]										
[°C]										
[g]										
[kN]										
[mm]										
[°C]										
[g]										
[kN]										
[mm]										
[°C]										
[g]										
[kN]										
[mm]										
[°C]										
[g]										
[kN]										
[mm]										
[°C]										
[g]										
[kN]										
[mm]										
[°C]										
[g]										
[kN]										
[mm]										
[°C]										
[g]										
[kN]										
[mm]										
[°C]										
[g]										
[kN]										
[mm]										
[°C]										
[g]										
[kN]										
[mm]										
[°C]										
[g]										
[kN]										
[mm]										
[°C]										
[g]										
[kN]										
[mm]										
[°C]										
[g]										
[kN]										
[mm]										
[°C]										
[g]										
[kN]										
[mm]										
[°C]										
[g]										
[kN]										
[mm]										
[°C]										
[g]										
[kN]										
[mm]										
[°C]										
[g]										
[kN]										
[mm]										
[°C]										
[g]										
[kN]										
[mm]										
[°C]										
[g]										
[kN]										
[mm]										
[°C]										
[g]										
[kN]										
[mm]										
[°C]										
[g]										
[kN]										
[mm]										
[°C]										
[g]										
[kN]										
[mm]										
[°C]										
[g]										
[kN]										
[mm]										
[°C]										
[g]										
[kN]										
[mm]										
[°C]										
[g]										
[kN]										
[mm]										
[°C]										
[g]										
[kN]										
[mm]										
[°C]										
[g]										
[kN]										
[mm]										
[°C]										
[g]										
[kN]										
[mm]										
[°C]										
[g]										
[kN]										
[mm]										
[°C]										
[g]										
[kN]										
[mm]										
[°C]										
[g]										
[kN]										

Toepassingsvoorbeeld



Voldoet

Conform RoHS

Voldoet aan Richtlijn 2011/65/EU en richtlijn 2015/863

Bevat geen SVHC stoffen

Bevat geen SVHC-stoffen met meer dan 0,1% w/w - SVHC-lijst per 23.01.2024.

Bevat geen propositie 65 stoffen

Geen propositie 65 stoffen inbegrepen

<https://www.P65Warnings.ca.gov/>

Vrij van conflictmineralen

Dit product bevat geen stoffen die worden aangeduid als "conflictmineralen" zoals tantaal, tin, goud of wolfram uit de Democratische Republiek Congo of aangrenzende landen."