

고무 금속 버퍼 · 원통형

EH 25150.



제품 설명

모터, 컴프레서, 펌프의 탄성 베어링으로 사용.
경도 55 ±5° 쇼어 A. 다른 쇼어 경도 (40 ±5° 쇼어 A and 70 ±5° 쇼어 A)는 별도 문의.

재질

써포트 와셔

- 스틸, 아연 도금처리, 청색 크롬처리

나사형 부싱

- 스틸, 아연 도금처리, 청색 크롬처리

몸체

- 천연 고무 (탄성 고무 NR), 검정색

나사

- 스틸, 아연 도금처리, 청색 크롬처리

그림

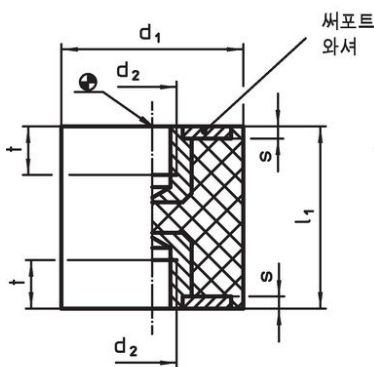


그림 1

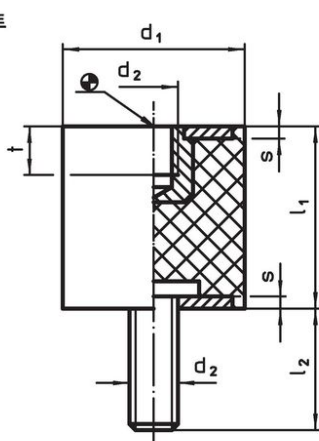


그림 2

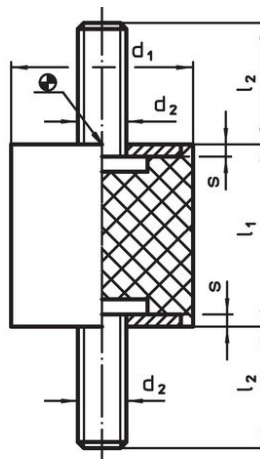




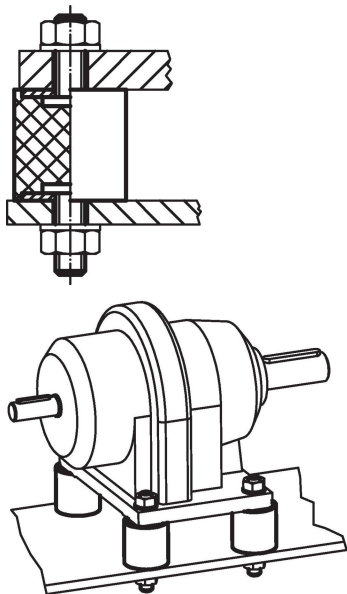
그림 3

주문 정보

치수						스프링률 R ~ [N/mm]	로딩력 최대 [N]	스프링 범위 ~ [mm]	온도		중량 [g]	제품 번호.
d ₁ ±1,5	l ₁ ±1,5	d ₂	l ₂	s	t				최소	최대		
[mm]												
압나사 타입, 양면 - 그림 1												
8	8	M 3	-	1,0	3,0	38	75	2,00	-30	80	1,0	25150.0003
10	10	M 4	-	1,2	4,0	36	90	2,50	-30	80	2,5	25150.0006
10	15	M 4	-	1,2	4,0	17	65	3,75	-30	80	2,9	25150.0007
15	10	M 4	-	1,4	4,0	80	200	2,50	-30	80	5,2	25150.0008
15	15	M 4	-	1,4	4,0	36	135	3,75	-30	80	6,2	25150.0009
15	20	M 4	-	1,4	4,0	30	152	5,00	-30	80	7,4	25150.0010
20	15	M 6	-	2,0	5,0	95	355	3,75	-30	80	13,0	25150.0021
20	20	M 6	-	2,0	5,0	53	267	5,00	-30	80	14,0	25150.0022
20	25	M 6	-	2,0	5,0	50	315	6,25	-30	80	16,0	25150.0023
25	20	M 6	-	2,0	5,0	121	605	5,00	-30	80	22,0	25150.0026
25	25	M 6	-	2,0	5,0	85	530	6,25	-30	80	30,0	25150.0027
25	30	M 6	-	2,0	5,0	77	575	7,50	-30	80	30,0	25150.0028
30	30	M 8	-	2,0	6,5	114	855	7,50	-30	80	50,0	25150.0031
30	40	M 8	-	2,0	6,5	76	757	10,00	-30	80	50,0	25150.0032
40	30	M 8	-	2,0	6,5	205	1535	7,50	-30	80	80,0	25150.0041
40	40	M 8	-	2,0	6,5	164	1635	10,00	-30	80	100,0	25150.0042
50	30	M10	-	2,0	7,0	343	2570	7,50	-30	80	130,0	25150.0051
50	40	M10	-	2,0	7,0	245	2445	10,00	-30	80	150,0	25150.0052
50	50	M10	-	2,0	7,0	178	2225	12,50	-30	80	166,0	25150.0053

d ₁ ±1,5	l ₁ ±1,5	치수				스프링률 R ~ [N/mm]	로딩력 최대 [N]	스프링 범위 ~ [mm]	 최소 최대 [°C]		 [g]	제품 번호
		d ₂	l ₂	s	t ~							
60	30	M10	-	2,0	7,0	453	3400	7,50	-30	80	190,0	25150.0061
60	40	M10	-	2,0	7,0	330	3300	10,00	-30	80	220,0	25150.0062
70	45	M10	-	3,0	7,0	356	4000	11,25	-30	80	340,0	25150.0071
75	40	M12	-	3,0	9,0	465	4650	10,00	-30	80	360,0	25150.0076
75	55	M12	-	3,0	9,0	327	4500	13,75	-30	80	450,0	25150.0077
얇은 나사 스크류 타입 - 그림 2												
8	8	M 3	6	1,0	3,0	38	75	2,00	-30	80	1,2	25150.0103
10	10	M 4	10	1,2	4,0	36	90	2,50	-30	80	2,4	25150.0106
10	15	M 4	10	1,2	4,0	17	65	3,75	-30	80	2,8	25150.0107
15	10	M 4	10	1,4	4,0	80	200	2,50	-30	80	5,7	25150.0108
15	15	M 4	10	1,4	4,0	35	130	3,75	-30	80	6,6	25150.0109
15	20	M 4	10	1,4	4,0	30	150	5,00	-30	80	7,6	25150.0110
20	15	M 6	18	2,0	5,0	95	355	3,75	-30	80	15,0	25150.0121
20	20	M 6	18	2,0	5,0	53	265	5,00	-30	80	17,0	25150.0122
20	25	M 6	18	2,0	5,0	50	315	6,25	-30	80	18,0	25150.0123
25	15	M 6	18	2,0	5,0	184	690	3,75	-30	80	26,0	25150.0126
25	20	M 6	18	2,0	5,0	121	605	5,00	-30	80	26,0	25150.0127
25	30	M 6	18	2,0	5,0	76	570	7,50	-30	80	36,0	25150.0128
30	15	M 8	20	2,0	6,5	143	535	3,75	-30	80	41,0	25150.0131
30	30	M 8	20	2,0	6,5	113	850	7,50	-30	80	50,0	25150.0132
40	20	M 8	23	2,0	6,5	302	1510	5,00	-30	80	72,0	25150.0141
40	30	M 8	23	2,0	6,5	204	1530	7,50	-30	80	85,0	25150.0142
40	40	M 8	23	2,0	6,5	163	1630	10,00	-30	80	98,0	25150.0143
50	20	M10	28	2,0	7,0	720	3600	5,00	-30	80	115,0	25150.0151
50	30	M10	28	2,0	7,0	343	2575	7,50	-30	80	135,0	25150.0152
50	40	M10	28	2,0	7,0	244	2440	10,00	-30	80	160,0	25150.0153
50	50	M10	28	2,0	7,0	176	2200	12,50	-30	80	185,0	25150.0154
60	30	M10	28	2,0	7,0	453	3400	7,50	-30	80	200,0	25150.0161
60	40	M10	28	2,0	7,0	333	3330	10,00	-30	80	220,0	25150.0162
70	45	M10	27	3,0	7,0	356	4000	11,25	-30	80	372,0	25150.0171
75	40	M12	37	3,0	9,0	460	4600	10,00	-30	80	385,0	25150.0176
75	55	M12	37	3,0	9,0	328	4510	13,75	-30	80	453,0	25150.0177
수나사 타입, 양면 - 그림 3												
8	8	M 3	6	1,0	-	35	70	2,00	-30	80	1,4	25150.0203
10	10	M 4	10	1,2	-	36	89	2,50	-30	80	3,0	25150.0206
10	15	M 4	10	1,2	-	16	60	3,75	-30	80	3,5	25150.0207
15	10	M 4	10	1,4	-	79	198	2,50	-30	80	6,1	25150.0208
15	15	M 4	10	1,4	-	33	125	3,75	-30	80	7,1	25150.0209
15	20	M 4	10	1,4	-	29	145	5,00	-30	80	8,1	25150.0210
20	15	M 6	18	2,0	-	94	352	3,75	-30	80	18,0	25150.0221
20	20	M 6	18	2,0	-	52	260	5,00	-30	80	19,0	25150.0222
20	25	M 6	18	2,0	-	50	310	6,25	-30	80	20,0	25150.0223
25	15	M 6	18	2,0	-	183	687	3,75	-30	80	28,0	25150.0226
25	20	M 6	18	2,0	-	120	602	5,00	-30	80	32,0	25150.0227
25	30	M 6	18	2,0	-	75	562	7,50	-30	80	39,0	25150.0228
30	15	M 8	20	2,0	-	142	534	3,75	-30	80	45,0	25150.0231
30	30	M 8	20	2,0	-	112	843	7,50	-30	80	58,0	25150.0232
40	20	M 8	23	2,0	-	300	1500	5,00	-30	80	80,0	25150.0241
40	30	M 8	23	2,0	-	204	1527	7,50	-30	80	95,0	25150.0242
40	40	M 8	23	2,0	-	162	1620	10,00	-30	80	100,0	25150.0243
50	20	M10	28	2,0	-	718	3589	5,00	-30	80	130,0	25150.0251
50	30	M10	28	2,0	-	343	2570	7,50	-30	80	150,0	25150.0252
50	40	M10	28	2,0	-	244	2436	10,00	-30	80	170,0	25150.0253
50	50	M10	28	2,0	-	176	2198	12,50	-30	80	187,0	25150.0254
60	30	M10	28	2,0	-	453	3400	7,50	-30	80	210,0	25150.0261
60	40	M10	28	2,0	-	330	3300	10,00	-30	80	236,0	25150.0262
70	45	M10	27	3,0	-	356	4000	11,25	-30	80	380,0	25150.0271
75	40	M12	37	3,0	-	450	4500	10,00	-30	80	410,0	25150.0276
75	55	M12	37	3,0	-	320	4400	13,75	-30	80	515,0	25150.0277

적용 예



규정 준수

RoHS 준수

납 성분 포함 - 예외조항 6a / 6b / 6c 준수

0.1% w/w 이상 함유된 SVHC 물질 포함

납 성분 포함 - 2024년 1월 23일 SVHC 목록

식수안전 및 독성물질 관리법 물질 포함



납은 노출로 인해 압과 생식 기능에 해를 끼칠 수 있습니다
<https://www.P65Warnings.ca.gov/>

분쟁 광물 포함하지 않음

이 제품은 탄탈륨, 주석, 금 또는 텅스텐 등 민주 공화국 또는 인접 국가에서 "분쟁 광물"로 지정된 물질을 포함하지 않습니다.